



Operator's manual
Bedienungsanweisung
Manuel d'utilisation
Manuale dell'operatore



**HUSQVARNA AUTOMOWER® 105/310/315/315X/420/430X/
440/450X**

English (2-23)

Deutsch (24-49)

Français (50-75)

Italiano (76-101)

Read the operator's manual carefully and make sure that you understand the instructions before you use the product.

Lesen Sie die Bedienungsanweisung sorgfältig durch und machen Sie sich mit dem Inhalt vertraut, bevor Sie das Gerät benutzen

Lisez attentivement le manuel d'utilisation et assurez-vous que vous en comprenez le contenu avant d'utiliser la machine.

Prima di usare la macchina, leggere attentamente il manuale dell'operatore e accertarsi di averne compreso il contenuto.

Contents

1 Introduction

1.1 Memo.....	3
1.2 Product description.....	3
1.3 Capacity.....	3
1.4 Mowing technique.....	3
1.5 Working method.....	3
1.6 Movement pattern.....	4
1.7 Finding the charging station.....	4
1.8 Product overview Automower 105.....	5
1.9 Product overview Automower 310/315/315X.....	6
1.10 Product overview Automower 420/430X/ 440/450X.....	7
1.11 Symbols on the product.....	8

2 Safety

2.1 General safety instructions.....	9
2.2 Use.....	9

3 Installation

3.1 Connecting the power supply.....	11
3.2 Control panel.....	11
3.3 Display Automower 105.....	11
3.4 Keypad Automower 105.....	11
3.5 Display Automower 310/315/315X/420/430X/ 440/450X.....	12
3.6 Keypad Automower 310/315/315X/420/430X/ 440/450X.....	12
3.7 Menu structure.....	12
3.8 Submenus.....	13
3.9 Browse between menus.....	13
3.10 Main menu.....	13

4 Operation

4.1 Operation selection Automower 105.....	14
4.2 Operation selection Start Automower 310/315/315X/420/430X/440/450X.....	14
4.3 Operation selection Park Automower 310/315/315X/420/430X/440/450X.....	14
4.4 Connectivity	14
4.5 Adjusting the cutting height.....	15

5 Maintenance

5.1 Cleaning.....	16
5.2 Battery.....	16
5.3 Replace the blades.....	16

6 Troubleshooting

6.1 Troubleshooting.....	17
--------------------------	----

7 Transportation, storage and disposal

7.1 Transportation.....	18
-------------------------	----

7.2 Winter storage.....	18
7.3 Environmental information.....	18

8 Technical data

8.1 Automower 105/310/315/315X.....	19
8.2 Automower 420/430X/440/450X.....	20

9 Warranty

9.1 Guarantee terms.....	22
--------------------------	----

10 EC Declaration of Conformity

10.1 EC Declaration of Conformity.....	23
--	----

1 Introduction

1.1 Memo

Serial number:	
PIN code:	
Dealer:	
Dealer's telephone number:	

If the robotic lawnmower is stolen, it is important to notify Husqvarna of this. Contact your local Husqvarna representative and provide the robotic lawnmower's serial number so that it can be registered as stolen in an international database. This is an important step in the robotic lawnmower's theft protection which reduces interest in the buying and selling of stolen robotic lawnmowers.

The product's serial number consists of nine digits and is shown on the product rating plate (found on the inside of the hatch) and product's packaging.

www.husqvarna.com

1.2 Product description

Congratulations on your choice of an exceptionally high quality product. To get the best results from your Husqvarna robotic lawnmower requires knowledge of how it works. This Operator's Manual contains brief important information about the robotic lawnmower. As a complement to this Operator's Manual, there are information movies with instructions available on Husqvarna's website, www.husqvarna.com.

Keep in mind that the operator is responsible for accidents or hazards occurring to other people or their property.

Husqvarna has a policy of continuous product development and therefore reserves the right to modify the design, appearance and function of products without prior notice.

1.2.1 Complete Operator's Manual

A complete operator's manual is available on Husqvarna's website www.husqvarna.com. It is more in detail and contains more information, e.g. instructions about installation, maintenance, troubleshooting and menu structure.

1.3 Capacity

The robotic lawnmower is recommended for lawns up to:

- 600 m²: Automower 105
- 1000 m²: Automower 310
- 1500 m²: Automower 315
- 1600 m²: Automower 315X
- 2200 m²: Automower 420
- 3200 m²: Automower 430X
- 4000 m²: Automower 440
- 5000 m²: Automower 450X

How big an area the robotic lawnmower can keep cut depends primarily on the condition of the blades and the type, growth and moisture of the grass. The shape of the garden is also significant. If the garden mainly consists of open lawn areas, the robotic lawnmower can mow more per hour than if the garden consists of several

small lawns separated by trees, flower beds and passages.

A fully charged robotic lawnmower mows for 60 to 290 minutes, depending on model, the age of the battery and how thick the grass is. Then the robotic lawnmower will charge for 50 to 90 minutes. The charging time can vary depending on, among other factors, the ambient temperature.

1.4 Mowing technique

The robotic lawnmower's system is based on an efficient and energy saving principle. Unlike many standard lawnmowers, the robotic lawnmower cuts the grass instead of knocking it off. This frequent cutting technique improves the grass quality. No collection of grass is required, and small pieces of cut grass will reduce the need of fertilizers. Furthermore, it is emission free, convenient and your lawn will always look well maintained.

It is recommended to allow the robotic lawnmower to mainly mow in dry weather to obtain the best possible result. The robotic lawnmower can also mow in the rain, however wet grass easily sticks on the robotic lawnmower and there is a greater risk of slipping on steep slopes.

The blades must be in good condition to obtain the best mowing result. In order to keep the blades sharp for as long as possible it is important to keep the lawn free from branches, small stones and other objects.

Replace the blades regularly. For information on replacing the blades, see the complete Operator's Manual on Husqvarna's website (www.husqvarna.com).

1.5 Working method

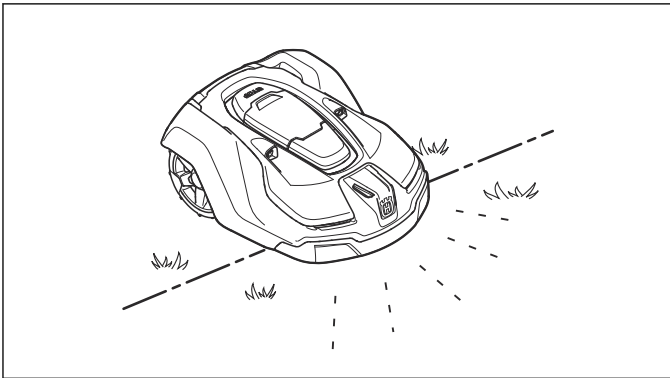
Carry out a correct and safe installation of the loop and guide wire. For more information about the installation, see the complete Operator's Manual on Husqvarna's website.

The robotic lawnmower automatically mows the lawn. It continuously alternates between mowing and charging. The robotic lawnmower starts to search for the charging station when the battery charge becomes too low. The

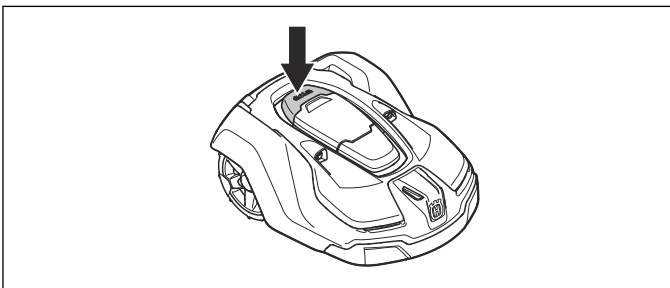
robotic lawnmower does not mow when it is searching for the charging station.

Automower 315X/430X/450X use GPS-assisted navigation to start mowing in a place in the yard where it has not been lately. For the other models you might have to set manual exit settings to make sure that the lawn will be cut evenly, see the complete Operator's Manual on Husqvarna's website.

When the robotic lawnmower body hits an obstacle or approaches the boundary wire the robotic lawnmower reverses and selects a new direction. Sensors at the front and back will sense when the robotic lawnmower is approaching the boundary wire. The front of the robotic lawnmower always passes the boundary wire by a specific distance before the mower turns around. The distance can be changed to adapt to the installation if required.



The **STOP** button on the top of the robotic lawnmower is mainly used to stop the robotic lawnmower when it's running. When the **STOP** button is pressed a hatch opens, behind which there is a control panel. The **STOP** button remains pressed in until the hatch is closed again. This together with the **START** button acts as a start inhibitor.



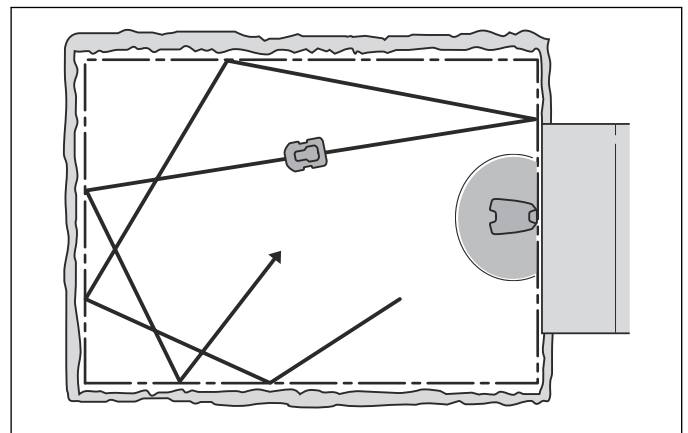
Note: Always press the **START** button before closing the hatch to start the robotic lawnmower. If the **START** button is not pressed, a message beep is heard and the robotic lawnmower will not start.

The control panel on the top of the robotic lawnmower is where you manage all the robotic lawnmower settings.

When the main switch is set to *1* for the first time, a start-up sequence begins which includes a number of important basic settings, see *First start-up and calibration* in the complete Operator's Manual on Husqvarna's website.

1.6 Movement pattern

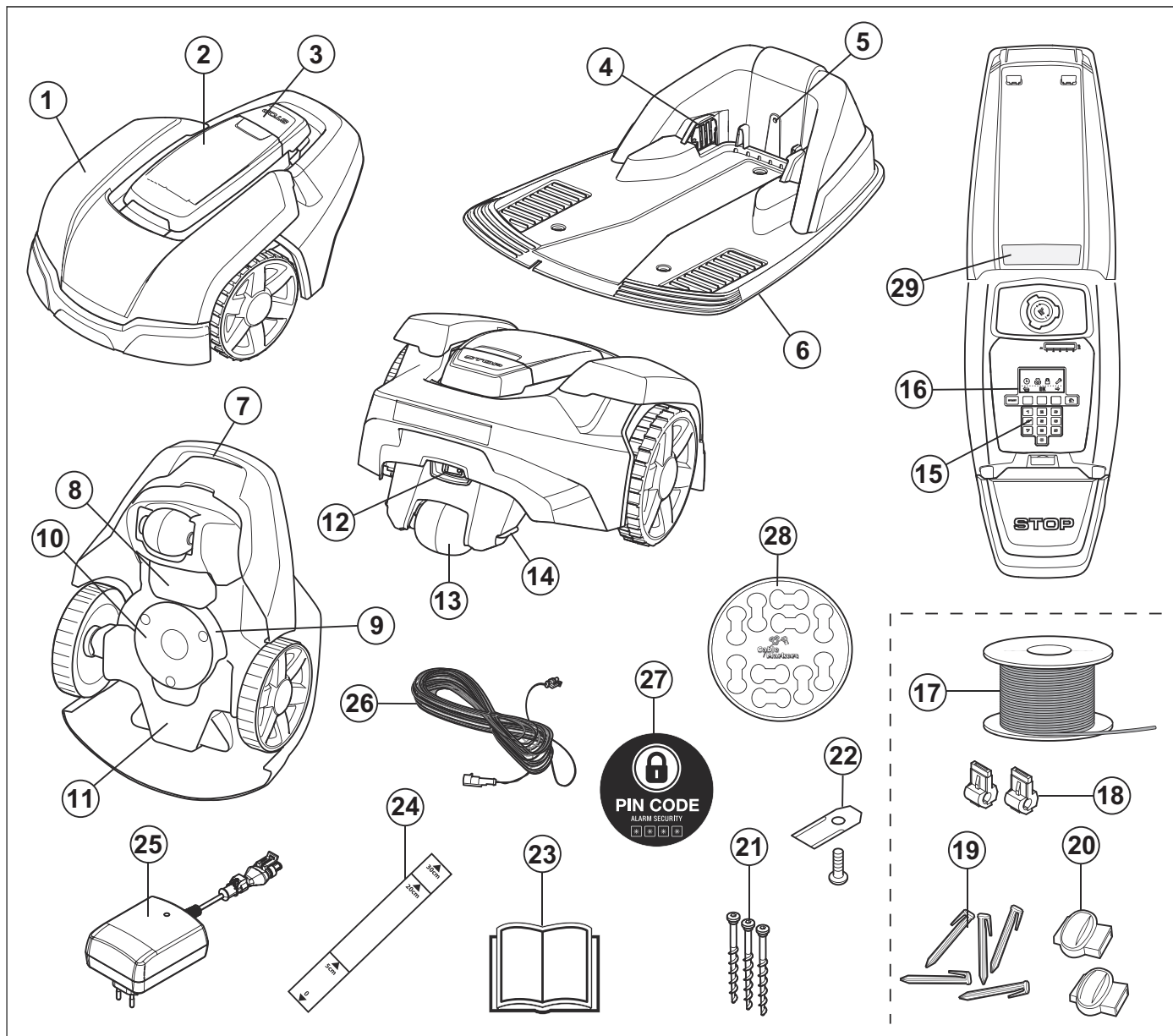
The movement pattern of the robotic lawnmower is random, which means that a movement pattern is never repeated. With this cutting system the lawn is mown evenly without any mowing lines from the robotic lawnmower.



1.7 Finding the charging station

The Automower 310/315/315X/420/430X/440/450X can be set to search for the charging station in up to 3 different ways. The robotic lawnmower automatically combines these 3 search methods to locate the charging station as fast as possible but also to avoid as much tracks forming as possible. Automower 105 always follows the guide wire to the charging station.

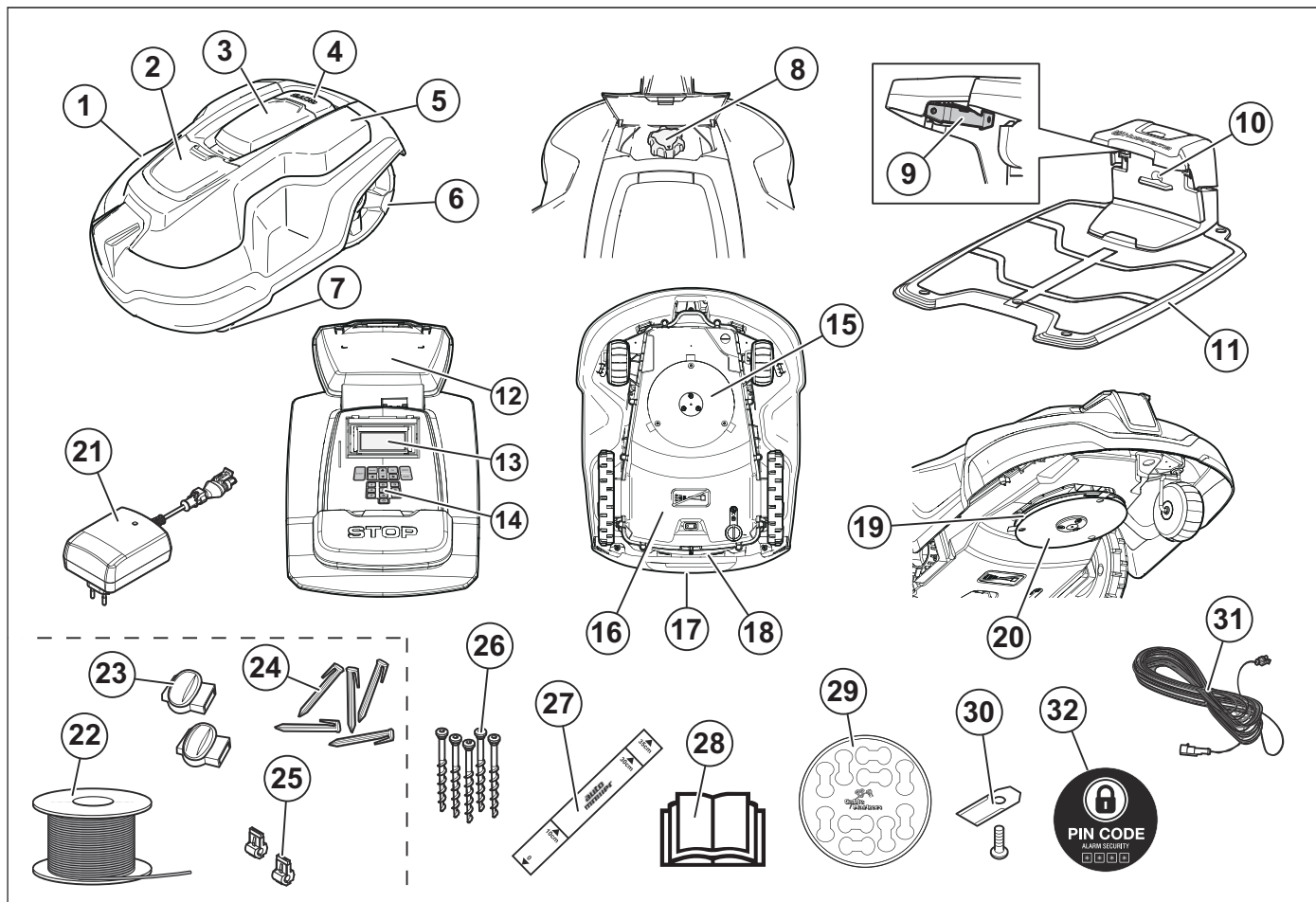
1.8 Product overview Automower 105



The numbers in the figure represent:

- | | |
|---|---|
| <ul style="list-style-type: none"> 1. Body 2. Hatch to display, keypad and cutting height adjustment 3. Stop button 4. Contact strips 5. LED for operation check of the charging station, boundary wire and guide wire 6. Charging station 7. Carry handle 8. Battery cover 9. Blade disc 10. Skid plate 11. Chassis box with electronics, battery and motors 12. Main switch 13. Rear wheel 14. Charging strip 15. Keypad | <ul style="list-style-type: none"> 16. Display 17. Loop wire for boundary loop and guide wire 18. Connector for connecting the loop wire to the charging station 19. Pegs 20. Coupler for the loop wire 21. Screws for securing the charging station 22. Extra blades 23. Operator's Manual and Quick Guide 24. Measurement gauge for help when installing the boundary wire (the measurement gauge is broken loose from the box) 25. Power supply (the appearance of the power supply may differ depending on market) 26. Low voltage cable 27. Alarm decal 28. Cable markers 29. Rating plate |
|---|---|

1.9 Product overview Automower 310/315/315X



The numbers in the figure represent:

- | | |
|---|---|
| 1. Body | 18. Main switch |
| 2. Hatch to cutting height adjustment | 19. Blade disc |
| 3. Hatch to display and keypad | 20. Skid plate |
| 4. Stop button | 21. Power supply (the appearance of the power supply may differ depending on market) |
| 5. Replaceable cover | 22. Loop wire for boundary loop and guide wire ¹ |
| 6. Rear wheels | 23. Couplers for loop wire ² |
| 7. Front wheels | 24. Pegs ³ |
| 8. Cutting height adjustment | 25. Connector for the loop wire ⁴ |
| 9. Contact strips | 26. Screws for securing the charging station |
| 10. LED for operation check of the charging station and boundary wire | 27. Measurement gauge for help when installing the boundary wire (the measurement gauge is broken loose from the box) |
| 11. Charging station | 28. Operator's Manual and Quick Guide |
| 12. Rating plate | 29. Cable markers |
| 13. Display | 30. Extra blades |
| 14. Keypad | 31. Low voltage cable |
| 15. Cutting system | 32. Alarm decal |
| 16. Chassis box with electronics, battery and motors | |
| 17. Handle | |

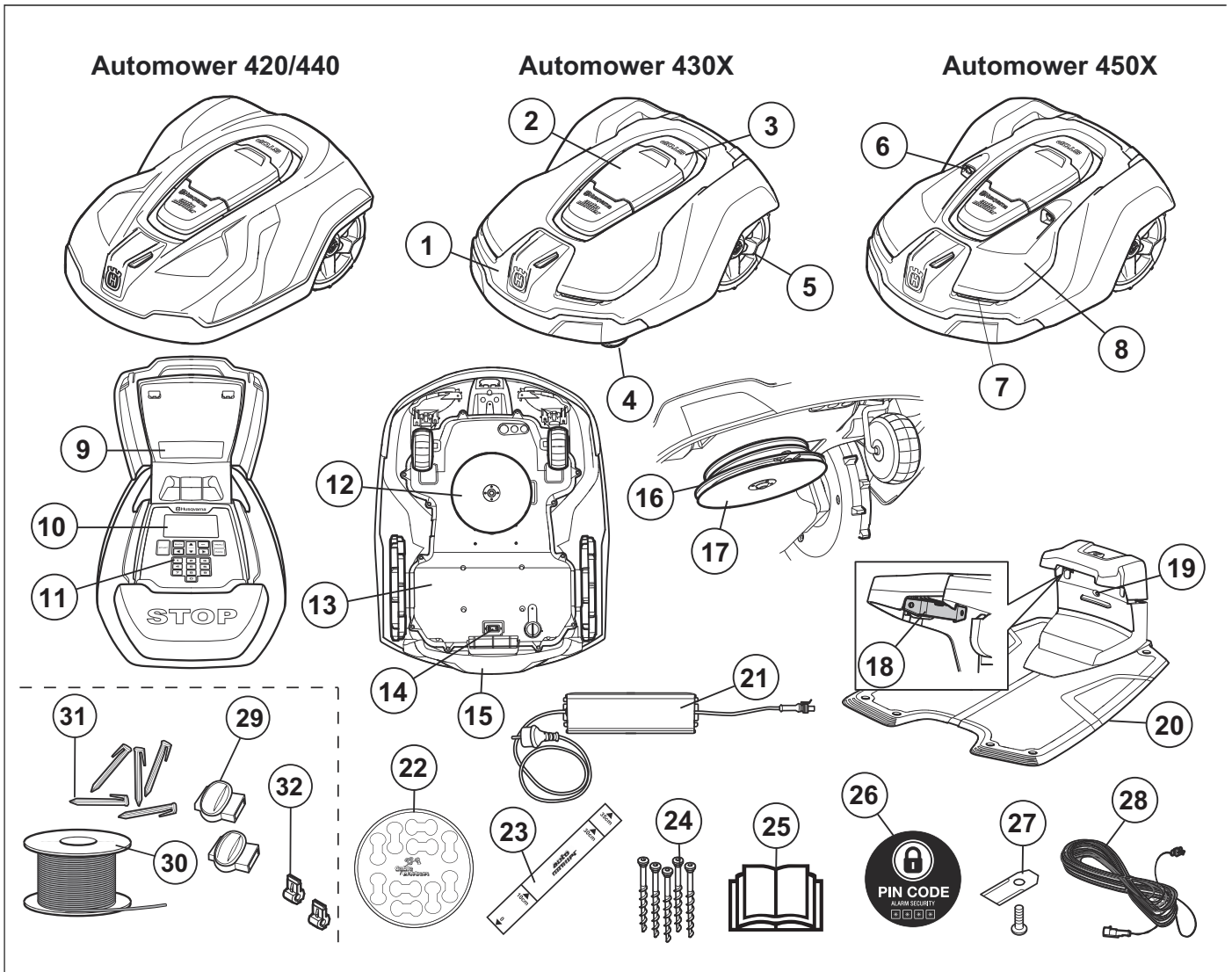
¹ Is a part of the Installation kit which is purchased separately.

² See note 1

³ See note 1

⁴ See note 1

1.10 Product overview Automower 420/430X/440/450X



The numbers in the figure represent:

- | | |
|---|---|
| <ul style="list-style-type: none"> 1. Body 2. Hatch to display and keypad 3. Stop button 4. Front wheels 5. Rear wheels 6. Ultrasonic sensors 7. Headlights 8. Replaceable cover 9. Rating plate 10. Display 11. Keypad 12. Cutting system 13. Chassis box with electronics, battery and motors 14. Handle 15. Main switch 16. Blade disc 17. Skid plate 18. Contact strips | <ul style="list-style-type: none"> 19. LED for operation check of the charging station and boundary wire 20. Charging station 21. Power supply 22. Cable markers 23. Measurement gauge for help when installing the boundary wire (the measurement gauge is broken loose from the box) 24. Screws for securing the charging station 25. Operator's Manual and Quick Guide 26. Alarm decal 27. Extra blades 28. Low voltage cable 29. Couplers for loop wire ⁵ 30. Loop wire for boundary loop and guide wire ⁶ 31. Pegs ⁷ 32. Connector for the loop wire ⁸ |
|---|---|

⁵ Is a part of the Installation kit which is purchased separately.

⁶ See note 1

⁷ See note 1

⁸ See note 1

1.11 Symbols on the product

These symbols can be found on the robotic lawnmower. Study them carefully.



WARNING: Read the user instructions before operating the robotic lawnmower.



WARNING: Operate the disabling device before working on or lifting the machine.

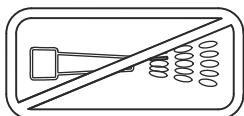
The robotic lawnmower can only start when the main switch is set to 1 and the correct PIN code has been entered. Turn the main switch to 0 before carrying out any inspections and/or maintenance.



WARNING: Keep a safe distance from the machine when operating. Keep your hands and feet away from the rotating blades.



WARNING: Do not ride on the machine. Never put your hands or feet close to or under the body.



Never use a high-pressure washer or even running water to clean the robotic lawnmower.



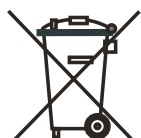
Lock function



This product conforms to the applicable EC Directives.



Noise emission to surroundings. The product's emissions are set out in *Technical data on page 19* and on the rating plate.



It is not permitted to dispose this product as normal household waste. Ensure that the product is recycled in accordance with local legal requirements.



The chassis contains components which are sensitive to electrostatic discharge (ESD). The chassis must also be resealed in a professional manner. For these reasons the chassis shall only be opened by authorized service technicians. A broken seal can result in the entire or parts of the guarantee no longer being valid.



The low voltage cable must not be shortened, extended or spliced.

Do not use a trimmer nearby the low voltage cable. Be careful when trimming edges where the cables are placed.

Operate the disabling device before you use or lift the product.

2 Safety

2.1 General safety instructions

The following system is used in the Operator's Manual to make it easier to use:

- Text written in *italics* is a text that is shown on the robotic lawnmower's display or is a reference to another section in the Operator's Manual.
- Text written in **bold** is one of the buttons on the robotic lawnmower's keypad.
- Text written in *UPPERCASE* and *italics* refer to the position of the main switch and the different operating modes available in the robotic lawnmower.

2.1.1 IMPORTANT. READ CAREFULLY BEFORE USE. KEEP FOR FUTURE REFERENCE

The operator is responsible for accidents or hazards occurring to other people or property.

This appliance is not intended for use by persons (including children) with reduced physical, sensory or mental capabilities, or lack of experience and knowledge, unless they have been given supervision or instruction concerning use of the appliance by a person responsible for their safety. Children should be supervised to ensure that they do not play with the appliance.

This appliance can be used by children aged from 8 years and above and persons with reduced physical, sensory or mental capabilities or lack of experience and knowledge if they have been given supervision or instruction concerning use of the appliance in a safe way and understand the hazards involved. Local regulations may restrict the age of the operator. Clearing and maintenance shall not be made by children without supervision.

Never connect the power supply to an outlet if plug or cord is damaged. Worn or damaged cord increase the risk of electric shock.

Only charge the battery in the included charging station. Incorrect use may result in electric shock, overheating or leaking of corrosive liquid from the battery. In the event of leakage of electrolyte flush with water/neutralizing agent, seek medical help if it comes in contact with the eyes.

Use only original batteries recommended by the manufacturer. Product safety cannot be guaranteed with other than original batteries. Do not use non-rechargeable batteries.

The appliance must be disconnected from the supply mains when removing the battery.



WARNING: The robotic lawnmower can be dangerous if used incorrectly.



WARNING: Never use the robotic lawnmower when persons, especially children or pets, are in the cutting area.

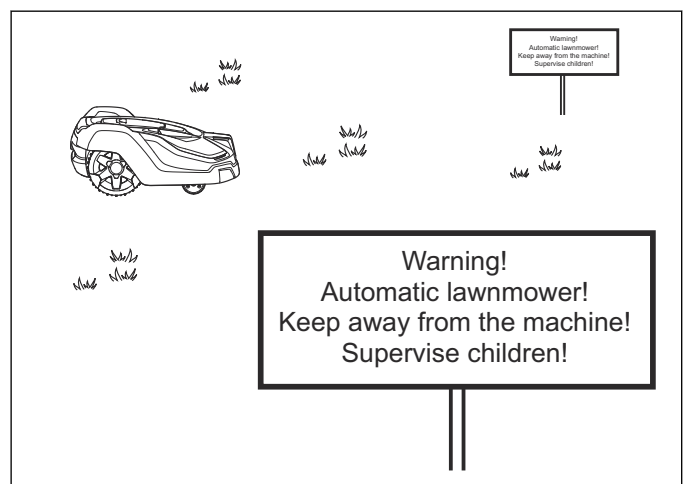


WARNING: Keep your hands and feet away from the rotating blades. Never put your hands or feet close to or under the body when the motor is running.

2.2 Use

- This robotic lawnmower is designed to mow grass in open and level ground areas. It may only be used with the equipment recommended by the manufacturer. All other types of use are incorrect. The manufacturer's instructions with regard to operation/maintenance must be followed precisely.
- Warning signs shall be placed around the working area of the robotic lawnmower if it is used in public areas. The signs shall have the following text:

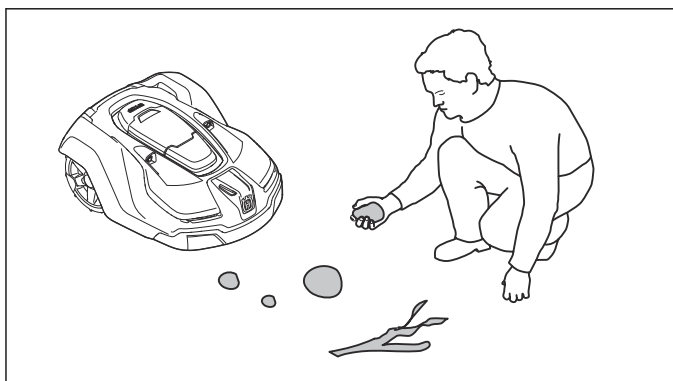
Warning! Automatic lawnmower! Keep away from the machine! Supervise children!



- Use the **PARK** function or switch off the main switch when persons, especially children or pets, are in the cutting area. It is recommended to program the lawnmower for use during hours when the area is free from activity, e.g. at night.
- The robotic lawnmower may only be operated, maintained and repaired by persons that are fully conversant with its special characteristics and safety

regulations. Please read the Operator's Manual carefully and make sure you understand the instructions before using the robotic lawnmower.

- It is not permitted to modify the original design of the robotic lawnmower. All modifications are made at your own risk.
- Check that there are no stones, branches, tools, toys or other objects on the lawn that can damage the blades. Objects on the lawn can also lead to the robotic lawnmower getting stuck in them and help may be required to remove the object before the mower can continue mowing. Always set the main switch in position 0 before clearing a blockage.



- Start the robotic lawnmower according to the instructions. When the main switch is set to 1; make sure to keep your hands and feet away from the rotating blades. Never put your hands and feet under the robotic lawnmower.
- Never touch moving hazardous parts, such as the blade disc, before it has come to a complete stop.
- Never lift up the robotic lawnmower or carry it around when the main switch is in position 1.
- Do not let persons who do not know how the robotic lawnmower works and behaves use it.
- The robotic lawnmower must never be allowed to collide with persons or other living creatures. If a person or other living creature comes in the lawnmower's way it shall be stopped immediately.
- Do not put anything on top of the robotic lawnmower or its charging station.
- Do not allow the robotic lawnmower to be used with a defective guard, blade disc or body. Neither should it be used with defective blades, screws, nuts or cables. Never connect a damaged cable, or touch a damaged cable before it is disconnected from the supply.
- Do not use the robotic lawnmower if the main switch does not work.
- Always switch off the robotic lawnmower using the main switch when the robotic lawnmower is not in use. The robotic lawnmower can only start when the main switch is set to 1 and the correct PIN code has been entered.
- The robotic lawnmower must never be used at the same time as a sprinkler. Use the timer function so the mower and sprinkler never run simultaneously.
- Husqvarna does not guarantee full compatibility between the robotic lawnmower and other types of wireless systems such as remote controls, radio

transmitters, hearing loops, underground electric animal fencing or similar.

- The built-in alarm is very loud. Be careful, especially if the robotic lawnmower is handled indoors.
- Metal objects in the ground (for example reinforced concrete or anti-mole nets) can result in a stoppage. The metal objects can cause interference with the loop signal which then can lead to a stoppage.
- The robotic lawnmower must never be used in temperatures below 0 °C or above 50 °C. This might cause damage to the product.

3 Installation

3.1 Connecting the power supply

Take the following into consideration when planning where to place the power supply:

- Close to the charging station
- Protection from rain
- Protection from direct sunlight.

The power supply must be placed where it is well ventilated and must be placed under a roof. If the power supply is connected to an electrical socket outdoors, this must be approved for outdoor use. It is recommended to use an earth fault-breaker (RCD) when connecting the power supply to the wall socket.

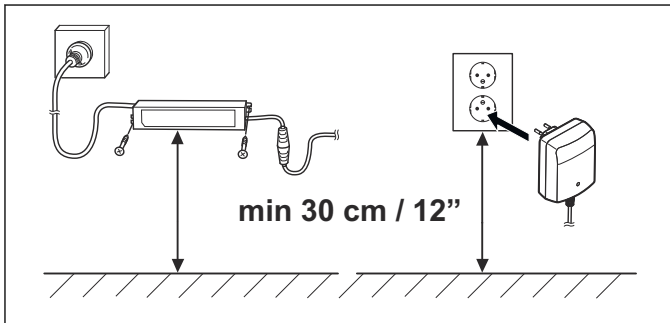


WARNING: Applicable to USA/Canada. If power supply is installed outdoors: Risk of Electric Shock. Install only to a covered Class A GFCI receptacle (RCD) that has an enclosure that is weatherproof with the attachment plug cap inserted or removed.

No parts of the power supply must be changed or tampered with. For example the low voltage cable must not be shortened or extended. Low voltage cables with 3 m or 20 m length are available as optional accessories.



WARNING: Do not under any circumstances mount the power supply at a height where there is a risk it can be submerged in water (at minimum 30 cm from the ground). It is not permitted to place the power supply on the ground.



WARNING: No parts of the power supply must under any circumstances be changed or tampered with. The low voltage cable must not be shortened or extended.



WARNING: Use the plug to disconnect the charging station, for instance before cleaning the charging station or repairing the loop wire.



WARNING: Place the low voltage cable and adjust the cutting height so that the blades on the blade disc can never come in contact with it.

For more instructions on how to do a proper installation, see chapter *Installation* in the complete Operator's manual on Husqvarna's website www.husqvarna.com.

3.2 Control panel

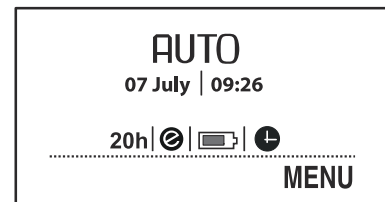
All commands and settings for the robotic lawnmower are made via the control panel. All functions are accessed via a number of menus.

The control panel consists of a display and a keypad. All information is shown on the display and all input is done using the buttons.

The display texts are shown in English in the manual, but you will see the texts on the product display in the chosen language.

3.3 Display Automower 105

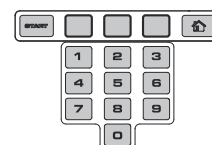
When the **STOP** button has been pressed and the hatch is opened, the operation window appears showing the time, selected operating mode, number of mowing hours, battery status and timer setting.



- The clock shows the current time.
- Date shows the current day.
- The number of operating hours indicates the number of hours since the day of manufacture that the robotic lawnmower has been in operation. The time that the robotic lawnmower has spent mowing or searching for the charging station is counted as operating time.
- *AUTO*, *MAN* or *HOME* show which mode of operation is selected.
- The battery status shows the remaining battery charge.
- The ECO symbol is displayed if the robotic lawnmower is set in *ECO mode*.
- The clock symbol indicates when the timer settings are set. The clock symbol is black when the robotic lawnmower is not allowed to mow due to a timer setting.
- The *MENU* text illustrates that the main menu can be reached by pressing the multi-choice button that is located under the text.

3.4 Keypad Automower 105

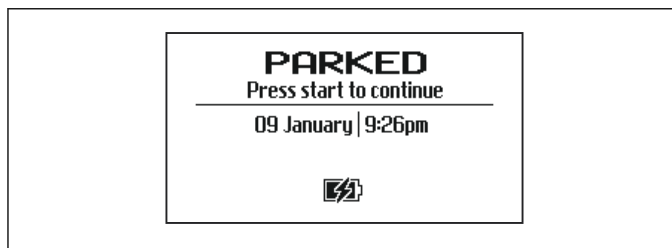
The keypad consists of 4 groups of buttons:



- The **START** button is used to activate the robotic lawnmower. This is normally the last button to be pressed before closing the hatch.
- The 3 **multi-choice** buttons offer various functions, depending on where in the menu structure you are. The button function is shown at the bottom of the display.
- The **number keys** are used for instance to enter the PIN code or time settings.
- The **operation selection** button is symbolised by a house. When the button has been pressed, the selected operation mode is shown in the display.

3.5 Display Automower 310/315/315X/420/430X/440/450X

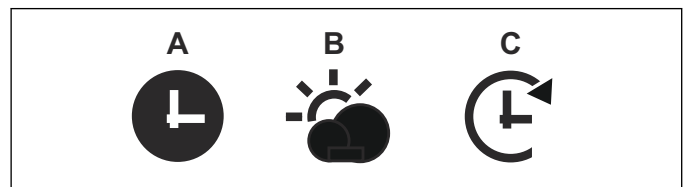
When the **STOP** button has been pressed and the hatch is opened, the following information is displayed:



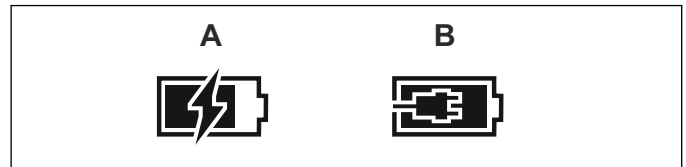
- Operating information, e.g. *READY*, *MOWING*, *PARKED* or *TIMER*. *READY* is displayed if the robotic lawnmower is not in any specific operating mode, e.g. if the main switch has just been turned on. If the **STOP** button is pressed the robotic lawnmower displays what it did prior to the stop, e.g. *MOWING* or *SEARCHING*.
- Date and clock show the current time.
- For Automower 315X/430X/450X: The satellite symbol is shown when the GPS-supported navigation is activated. Symbol (A) is shown when the robotic lawnmower has made contact with a sufficient number of GPS satellites. Symbol (B) shows when the robotic lawnmower has not made contact with a sufficient number of GPS satellites. Symbol (A) blinks during the first days the robotic lawnmower is working, as it is collecting GPS information about the installation.



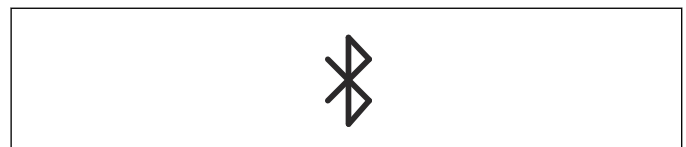
- The ECO symbol is displayed if the robotic lawnmower is set in *ECO mode*.
- The black clock symbol (A) is shown when the mower is not allowed to mow due to a timer setting. If the mower is not allowed to mow due to *Weather timer*, symbol (B) is shown. If the operation mode *Override timer* is chosen, symbol (C) is shown.



- The battery status shows the remaining battery charge. If the robotic lawnmower is loading, a flash is also shown over the battery symbol (A). If the robotic lawnmower is placed in the charging station without charging, (B) is shown.

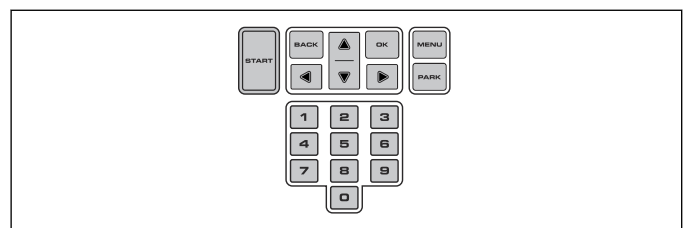


- The height adjustment setting is displayed as a scale/numerical value.
- For Automower Connect@Home (see *Automower Connect@Home on page 15*): An icon for Bluetooth® wireless communication will appear in the robotic lawnmower display when connection with your smartphone has been established.



3.6 Keypad Automower 310/315/315X/420/430X/440/450X

The keypad consists of 6 groups of buttons:



- The **START** button is used to activate the robotic lawnmower. This is normally the last button to be pressed before closing the hatch.
- The **BACK** and **OK** buttons are used to navigate in the menu. The **OK** button is also used to confirm settings.
- The **arrow keys** are used to navigate in the menu but also to make selections in certain setting options.
- The **MENU** button is used to go to the main menu.
- The **PARK** button is used to send the robotic lawnmower to the charging station.
- The **number keys** are used to enter settings, for example PIN code, time or exit direction.

3.7 Menu structure

The main menu for Automower 105 offers 4 options. Automower 310 has 6 options and Automower 315/315X has 7 options. The main menu for Automower 420/430X/440/450X offers 8 options.

3.8 Submenus

There are a number of submenus under each option. You can access all the functions to set the robotic lawnmower settings via the submenus.

Certain submenus contain options that are ticked off to the left. This means that these options are selected. Check or uncheck the box by pressing **OK**.

3.9 Browse between menus

Browse through the main menu and submenus with the help of the multichoice buttons (Automower 105) or the **arrow keys** (Automower 310/315/315X/420/430X/440/450X). Enter values and times using the number keys and confirm each selection with the multi-choice button marked **OK**. Press **BACK** to go up a step in the menu or keep the **HOME** (Automower 105) alternatively **MENU** (Automower 310/315/315X/420/430X/440/450X) button pressed in for 2 seconds to go directly to the main menu.

3.10 Main menu



Timer

The lawn should not be cut too often to obtain the best mowing result. Consequently, it is important to limit the operating time using the timer function if the working area is less than the robotic lawnmower's working capacity. The timer function is also an ideal tool to control which periods the robotic lawnmower should not mow, for example when children are playing in the garden.



Cutting height

Applicable for Automower 420/430X/440/450X

The cutting height can be varied from MIN (1) to MAX (9). During the first week after a new installation, the cutting height must be set to MAX to avoid damaging the loop wire. After this, the cutting height can be lowered one step every week until the desired cutting height has been reached.



Security

In this menu, settings relating to security and the connection between the robotic lawnmower and the charging station can be made. There are 3 security levels to choose from: *Low, Medium, High*.



Messages

Applicable for Automower 310/315/315X/420/430X/440/450X

Historical fault and information messages can be read in this menu. For some of the most common fault messages, there are tips and advice to help you rectify the fault.



Weather timer

Applicable for Automower 315/315X/420/430X/440/450X

This function allows the robotic lawnmower to automatically adjust its mowing times based on how much the lawn grows. When the weather is good for grass growth, the robotic lawnmower mows more often and when grass growth is slower the robotic lawnmower will automatically spend less time on the lawn.



Installation

This menu function is used to customize the installation. For many working areas there is no need to alter the factory settings, but depending on the lawn complexity the mowing result can be improved by making manual settings.



Settings

This selection allows you to make changes to the general robotic lawnmower settings such as date and time. You can also turn on/off *ECO mode* and *Spiral cutting*, or save your settings in different *Profiles* (Automower 315/315X/420/430X/440/450X only).



Accessories

Applicable for Automower 310/315/315X/420/430X/440/450X

This menu handles the settings for robotic lawnmower accessories, for examples Automower Connect or Automower Connect@Home. Contact your local Husqvarna representative for information on what accessories are available for your robotic lawnmower.

4 Operation

4.1 Operation selection Automower 105

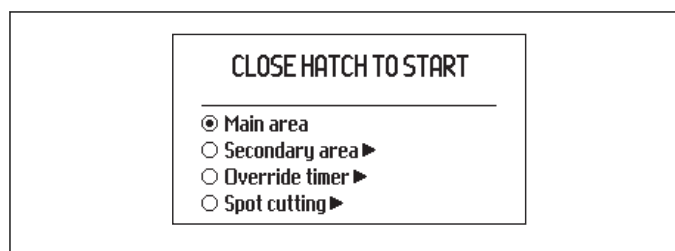
By consecutively pressing the **Operation selection** button many times, one can choose between three different operation modes.

- **HOME.** Sends the robotic lawnmower to the charging station. It remains here until another operation mode is selected. The text Home is shown in the operation window. When the battery is fully charged, the robotic lawnmower will not leave the charging station and begin mowing again until the operation selection is altered to **AUTO**.
- **AUTO.** The standard, automatic operation mode where the robotic lawnmower mows and charges automatically.
- **MAN.** When mowing secondary areas the **MAN** setting must be used. If **MAN** is selected and the robotic lawnmower is started when it is out on the lawn, it will mow until the battery runs out. It will then stop and the 'Needs manual charging' message will appear. The robotic lawnmower must then be moved manually to the charging station and then started manually after charging. If the robotic lawnmower charges in the **MAN** mode, it will fully charge, move about 20 cm out of the charging station and then stop. This indicates that it is charged and ready to start mowing.

4.2 Operation selection Start Automower 310/315/315X/420/430X/440/450X

When the **START** button has been pressed the following operation selections can be selected:

- **MAIN AREA.** The standard operating mode where the robotic lawnmower mows and charges automatically.



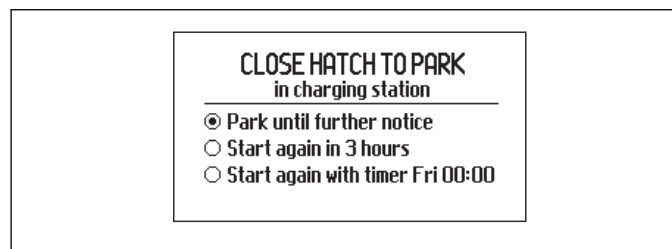
- **SECONDARY AREA.** When mowing secondary areas this setting must be used.
If the robotic lawnmower charges in the Secondary area mode, it will fully charge, drive out about 50 cm and then stop. This indicates that it is charged and ready to start mowing. If the main working area has to be cut after charging, it is appropriate to switch the operation selection to **Main area** before placing the robotic lawnmower in the charging station.
- **OVERRIDE TIMER.** Any timer settings made can be temporarily overridden by selecting Override timer. It is possible to *override the timer* for 24 h or 3 days.
- **SPOT CUTTING** (Not available for Automower 310). The robotic lawnmower will work in a spiral pattern

to cut the grass where it has been mown less than in other parts of the garden.

The **Spot Cutting** function is activated with the **START** button. You can select how the robotic lawnmower should continue to work once mowing is finished by pressing **right arrow** and then specifying **Main Area** or **Secondary Area**.

4.3 Operation selection Park Automower 310/315/315X/420/430X/440/450X

When the **PARK** button is pressed the following operation selections can be chosen.



- **PARK UNTIL FURTHER NOTICE.** The robotic lawnmower stays in the charging station until another operating mode is selected by pressing the **START** button.
- **START AGAIN IN 3 HOURS.** The robotic lawnmower stays in the charging station for three hours and then automatically returns to normal operation. This operation selection is suitable when there is a need to pause operation, e.g. for temporary irrigation or for games on the lawn.
- **START WITH NEXT TIMER.** The robotic lawnmower stays in the charging station until the next Timer setting permits operation. This operation selection is suitable if one wishes to cancel an ongoing mowing cycle and allow the robotic lawnmower to stay in the charging station until the next day. This option is not displayed if there are no Timer settings.

4.4 Connectivity

You can communicate with your robotic lawnmower through the mobile application Automower Connect. Automower Connect is available for your smartphone and tablet (Apple or Android). With Automower Connect activated, new icons will be displayed on the robotic lawnmower's display. For more detailed information, see *Complete Operator's Manual on page 3*.

4.4.1 Automower Connect

Automower Connect is included in Automower 315X/430X/450X and available as accessory for Automower 310/315/420/440.

Automower Connect brings the mower's menu system to your smartphone, making it easy to read and change the mower settings remotely. Through this application, you can receive your Automower's current status and send commands to the robotic lawnmower from anywhere in the world. In case of theft, you will get an alarm and be able to track your mower's position. Some countries do not support Automower Connect due to region specific

cellular systems. Please, contact your local Husqvarna representative for more information.

4.4.2 Automower Connect@Home

Included in Automower 310/315/420/440.

Automower Connect@Home uses a short-range Bluetooth® wireless technology with your robotic lawnmower. This means that you can communicate with the robotic lawnmower as long as you are within communication range. An icon for Bluetooth communication will appear in the robotic lawnmower display when connection with your smartphone has been established. Automower Connect@Home has similar but not as extensive functionality as Automower Connect and uses the same app.

4.4.3 Getting started

Download the Automower Connect app (also applicable for Automower Connect@Home) from AppStore or GooglePlay. Once you have downloaded the app, you can specify an e-mail address and a password to create an account. You will receive a validation e-mail to the e-mail address you specified. Follow the instructions in the e-mail within 24 hours to validate your account. If not validated within 24 hours, you will have to create your account again. When the account has been created in the app you can pair the robotic lawnmower and your smartphone.

4.4.4 Pair with Automower Connect

Select the function *Accessories > Automower Connect > Pairing > New pairing*. When the app prompts you to do so, enter the 6-digit code shown on the robotic lawnmower display. Also enter the name of the mower into the app. Automower Connect is always connected to your robotic lawnmower as long as the smartphone have contact with the mobile network and the robotic lawnmower is charged and main switch is set to 1.

4.4.5 Pair with Automower Connect@Home

Activate Bluetooth® wireless communication on your smartphone. Select the function *Accessories > Connect@Home > New pairing* and follow the instructions in the app. After pairing your robotic lawnmower and smartphone they will automatically connect each time you get into range (Automower Connect@Home). If you want to connect to the robotic lawnmower without having an account you can still use Automower Connect@Home by selecting Remote HMI in the start-up screen in the app.

4.5 Adjusting the cutting height

If the grass is long, let the robotic lawnmower start mowing at the MAX cutting height. Once the grass is shorter, you can gradually lower the cutting height.

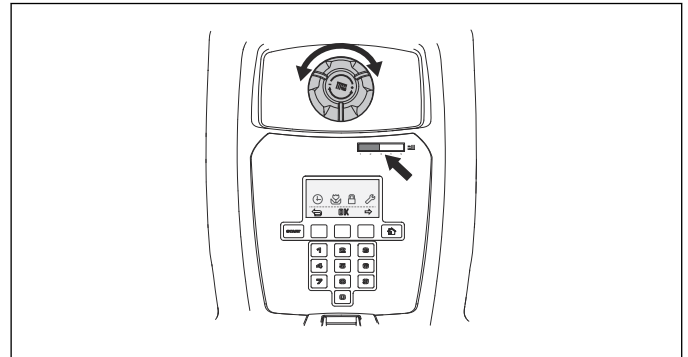


CAUTION: During the first week after a new installation, the cutting height must be set to MAX to avoid damaging the loop wire. After this, the cutting height can be lowered one step every week until the desired cutting height has been reached.

4.5.1 Automower 105

The cutting height can be varied from MIN (2) to MAX (5). To adjust the cutting height:

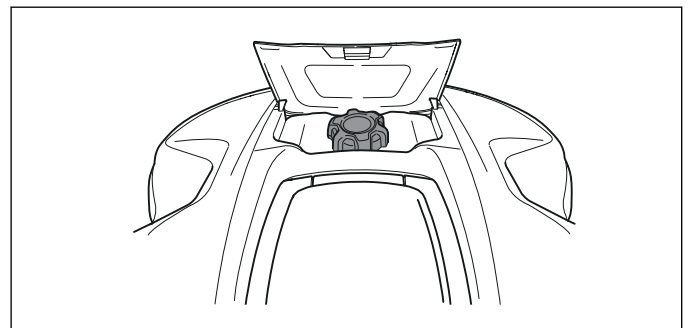
1. Press the **STOP** button to stop the robotic lawnmower and open the hatch.
2. Turn the height adjustment knob to the required position. The selected position is indicated by the orange column on the height adjustment indicator.



4.5.2 Automower 310/315/315X

The cutting height can be varied from MIN (2) to MAX (6) in 9 steps.

1. Press the **STOP** button to stop the robotic lawnmower and open the cutting height adjustment hatch.
2. Turn the knob to the required position. Turn clockwise to increase and counter-clockwise to decrease the cutting height. The arrow aligns with the selected position marked on the body.
3. Close the hatch.



4.5.3 Automower 420/430X/440/450X

The cutting height can be varied from MIN to MAX in 9 steps.

1. Press the **STOP** button to stop the robotic lawnmower and open the hatch.
2. Press the **MENU** button to access the main menu.
3. Move the cursor using the arrow keys up/down to select *Cutting height*.
4. Press **OK**.

5 Maintenance

5.1 Cleaning

It is important to keep the robotic lawnmower clean. A robotic lawnmower with a lot of grass stuck to it will find it harder to travel up slopes, will perform worse and is exposed to greater wear and tear. For better operating reliability and longer service life: check and clean the robotic lawnmower regularly and replace worn parts if necessary. It is recommended to clean using a soft brush.

To reduce the risk of damage to electrical components in the robotic lawnmower and its charging station, we recommend that all connections to the charging station are disconnected (power supply, boundary wire and guide wires) if there is a risk of a thunderstorm.



WARNING: When the robotic lawnmower is turned upside down the main switch must always be in the 0 position.

The main switch should be set in the 0 position during all work on the mower's chassis, such as cleaning or replacing the blades.



CAUTION: Never use a high-pressure washer or even running water to clean the robotic lawnmower. Never use solvents for cleaning.

5.2 Battery

The battery is maintenance-free, but has a limited life span of 2 to 4 years.

Battery life is dependent on the length of the season and how many hours a day the robotic lawnmower is used. A long season or many hours of use a day means that the battery must be replaced more regularly.



WARNING: Only charge the robotic lawnmower using a charging station which is intended for it. Incorrect use may result in electric shock, overheating or leakage of corrosive liquid from the battery. In the event of leakage of electrolyte flush with water and seek medical help if it comes in contact with the eyes etc.



WARNING: Use only original batteries recommended by the manufacturer. Product safety cannot be guaranteed with other batteries. Do not use non-rechargeable batteries.



CAUTION: The battery must be charged fully before winter storage. If the battery is not fully charged it can be damaged and in certain cases be rendered useless.

If the operating times for the robotic lawnmower are shorter than normal between charges, this indicates that

the battery is getting old and eventually needs replacing. The battery is fine as long as the robotic lawnmower maintains a well-cut lawn.

Contact your local Husqvarna representative to replace the battery.

5.3 Replace the blades



WARNING: Always use blades and screws of the right type. Husqvarna can only guarantee safety when using original blades. Only replacing the blades and reusing the screw can result in a screw wearing during mowing and shearing. The blades can then be propelled from under the body and cause serious injury.

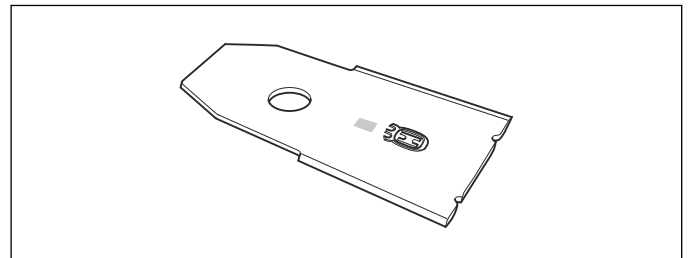


WARNING: Wear protective gloves.

Replace worn or damaged parts for safety reasons. Even if the blades are intact, they should be replaced on a regular basis for the best mowing result and low energy usage.

There are 3 blades on the robotic lawnmower, which are screwed into the blade disc. All 3 blades and screws must be replaced at the same time to obtain a balanced cutting system.

Use Husqvarna original blades embossed with Husqvarna logotype, see *Guarantee terms on page 22*.



5.3.1 To replace the blades

1. Set the main switch to position 0.
2. Turn the robotic lawnmower upside down. Place the robotic lawnmower on a soft and clean surface to avoid scratching the body and the hatch.
3. Rotate the skid plate so that its holes align with the screws for the blade.
4. Remove the 3 screws. Use a straight slot or cross-tip screwdriver.
5. Remove each blade and screw.
6. Fasten new blades and screws.
7. Check that the blades can pivot freely.

6 Troubleshooting

6.1 Troubleshooting

In case of malfunction, a message will appear on the display. For more detailed information on messages, see the complete Operator's manual on Husqvarna's website (www.husqvarna.com). If the same message appears often or if you still cannot find the reason for the fault, contact your dealer.

Breaks in the loop wire are usually the result of unintentional physical damage to the wire such as when gardening with a shovel. Breaks can also be due to the wire being stretched excessively during installation. A wire break can be located by gradually halving the distance of the loop where the break may have occurred until there is only a very short section of the wire left. See the complete Operator's manual on Husqvarna's website (www.husqvarna.com).

6.1.1 Indicator lamp in the charging station

For a fully functional installation, the indicator lamp in the charging station must emit a solid or flashing green light. If something else appears, follow the troubleshooting guide below.

There is more help on www.husqvarna.com. If you still need help, please contact your local Husqvarna representative.

Light	Cause	Action
<i>Solid green light</i>	Good signals	No action required
<i>Green flashing light</i>	The signals are good and <i>ECO mode</i> is activated.	No action required. For more information on <i>ECO mode</i> , see <i>Complete Operator's Manual on page 3</i> .
<i>Blue flashing light</i>	The boundary loop is not connected to the charging station.	Check that the boundary wire connectors are fitted properly to the charging station. See <i>Complete Operator's Manual on page 3</i> .
	Break in the boundary loop.	Find out where the break is. Replace the damaged section of the loop with a new loop wire and splice using an original coupler.
<i>Red flashing light</i>	Interruption in the charging station's antenna.	Contact your local Husqvarna representative.
<i>Solid red light</i>	Fault in the circuit board or incorrect power supply in the charging station. The fault should be rectified by an authorized service technician.	Contact your local Husqvarna representative.

7 Transportation, storage and disposal

7.1 Transportation

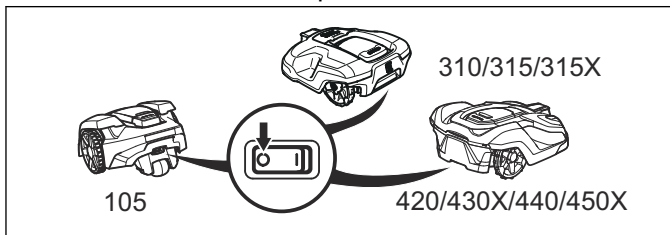
The contained lithium-ion-batteries are subject to the Dangerous Goods Legislation requirements. For commercial transports e.g. by third parties or forwarding agents, special requirement on packaging and labeling must be observed. Consult an expert for hazardous material for preparation of the item being shipped. Please also observe possibly more detailed national regulations.

Tape off open contacts and pack up the battery in such a manner that it cannot move around in the packaging. Always secure the product when transporting it.

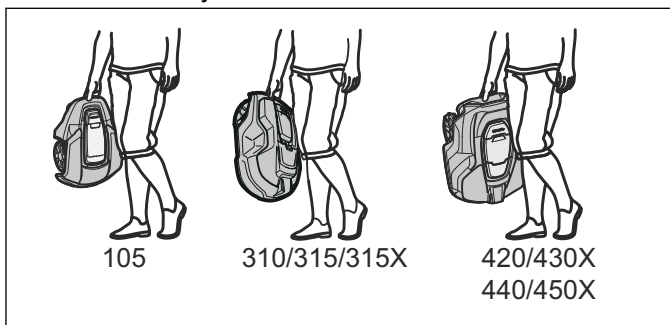
7.1.1 How to lift and move the robotic lawnmower

To safely move from or within the working area:

1. Press the **STOP** button to stop the robotic lawnmower. If security is set to the medium or high level (see *Complete Operator's Manual on page 3*) the PIN code has to be entered. The PIN code contains four digits and is selected when you start the robotic lawnmower for the first time. See *Complete Operator's Manual on page 3*.
2. Set the main switch in position 0.



3. Carry the robotic lawnmower by the handle under the robotic lawnmower with the blade disc away from the body.



CAUTION: Do not lift the robotic lawnmower when it is parked in the charging station. It can damage the charging station and/or the robotic lawnmower. Press **STOP** and pull the robotic lawnmower out of the charging station before lifting it.

7.2 Winter storage

7.2.1 The robotic lawnmower

The robotic lawnmower must be cleaned carefully before putting it away for the winter. See *Cleaning on page 16*.

To guarantee battery functionality and service life, it is important to charge the robotic lawnmower before

storing it away for the winter. Place the robotic lawnmower in the charging station with the hatch open until the battery icon in the display shows that the battery is fully charged. Then set the main switch to 0.

Check the condition of wear items such as blades and bearings in the rear wheel. Rectify if necessary to make sure the robotic lawnmower is in good condition prior to next season.

Store the robotic lawnmower standing on all wheels and place it in a dry, frost-free environment, preferably in the mower's original packaging. You can also hang the robotic lawnmower on a Husqvarna original wall hanger. Contact your local Husqvarna representative for more information about available wall hangers.



CAUTION: The battery must be charged fully before winter storage. If the battery is not fully charged it can be damaged and in certain cases be rendered useless.

7.2.2 The charging station

Store the charging station and power supply indoors. The boundary wire and the guide wire can be left in the ground.

1. Disconnect the charging station power supply.
2. Release the connector lock and pull the connector out.
3. Disconnect the boundary and guide wire contacts from the charging station.

The ends of the wires should be protected from damp by putting them in a container with grease for instance.

If it is not possible to store the charging station indoors, the charging station must be connected to the mains, the boundary wire and the guide wires the entire winter.

7.3 Environmental information



The symbol on the Husqvarna robotic lawnmower indicates that this product cannot be treated as domestic waste. It should instead be left at a suitable recycling centre to recycle its electronic components and batteries. The battery must be removed from the product before it is scrapped.

For disassembly of the battery see the complete Operator's manual on Husqvarna's website.

By ensuring that this product is taken care of correctly, you can help to counteract the potential negative impact on the environment and people that can otherwise result through incorrect waste management of this product.

For more detailed information about recycling this product, contact your municipality, your domestic waste service or the shop from where you purchased the product.

8 Technical data

8.1 Automower 105/310/315/315X

Dimensions	Automower 105	Automower 310	Automower 315	Automower 315X
Length, cm	55	63	63	63
Width, cm	39	51	51	51
Height, cm	25	25	25	25
Weight, kg	6.9	9.2	9.2	10.1

Electrical system	Automower 105	Automower 310	Automower 315	Automower 315X
Battery, Lithium-Ion 18 V/2.1 Ah Art. No.	586 57 62-01, 586 57 62-02	584 85 28-01, 584 85 28-02	584 85 28-01, 584 85 28-02	584 85 28-01, 584 85 28-02
Power supply, V/28 V DC	100-240	100-240	100-240	100-240
Low voltage cable length, m	10	10	10	10
Mean energy consumption at maximum use	5 kWh/month in a 600 m ² working area	8 kWh/month in a 1000 m ² working area	10 kWh/month in a 1500 m ² working area	10 kWh/month in a 1600 m ² working area
Charging current, A DC	1.3	1.3	1.3	1.3
Average mowing time, min	65	70	70	70
Average charging time, min	50	60	60	60

Boundary wire antenna	Automower 105	Automower 310	Automower 315	Automower 315X
Operating Frequency Band, Hz	300-80000	300-80000	300-80000	300-80000
Maximum Radio-frequency power, mW @60m ⁹	<25	<25	<25	<25

Noise emissions measured in the environment as sound power ¹⁰	Automower 105	Automower 310	Automower 315	Automower 315X
Measured sound power noise level, dB (A)	58	58	58	58
Noise emissions uncertainties K _{WA} , dB (A)	3	2	2	2
Guaranteed sound power noise level	61	60	60	60
Sound pressure noise level at the operator's ear, dB (A) ¹¹	47	47	47	47

⁹ Maximum active output power to antennas in the frequency band in which the radio equipment operates.

¹⁰ The noise emission declarations conforms to EN 50636-2-107:2015. Noise emissions in the environment measured as sound power (L_{WA}) in conformity with EC directive 2000/14/EC. The guaranteed sound power level includes variation in production as well as variation from the test code with 1-3 dB(A).

¹¹ Sound pressure noise uncertainties K_{pA}, 2-4 dB (A)

Mowing	Automower 105	Automower 310	Automower 315	Automower 315X
Cutting system	3 pivoted cutting blades			
Blade motor speed, rpm	2900	2300	2300	2300
Power consumption during cutting, W +/- 20 %	20	25	25	25
Cutting height, cm	2-5	2-6	2-6	2-6
Cutting width, cm	17	22	22	22
Narrowest possible passage, cm	60	60	60	60
Maximum angle for cutting area, %	25	40	40	40
Maximum angle for boundary wire, %	15	15	15	15
Maximum length boundary wire, m	400	800	800	800
Maximum length guide wire, m	200	400	400	400
Working capacity, m ² +/- 20%	600	1000	1500	1600

IP-classification	Automower 105	Automower 310	Automower 315	Automower 315X
Robotic lawnmower	IPX4	IPX4	IPX4	IPX4
Charging station	IPX1	IPX1	IPX1	IPX1
Power supply	IPX4	IPX4	IPX4	IPX4

Husqvarna AB does not guarantee full compatibility between the robotic lawnmower and other types of wireless systems such as remote controls, radio transmitters, hearing loops, underground electric animal fencing or similar.

8.2 Automower 420/430X/440/450X

Dimensions	Automower 420	Automower 430X	Automower 440	Automower 450X
Length, cm	72	72	72	72
Width, cm	56	56	56	56
Height, cm	31	31	31	31
Weight, kg	11.5	13.2	12.0	13.9

Electrical system	Automower 420	Automower 430X	Automower 440	Automower 450X
Battery, Lithium-Ion 18 V/2.1 Ah Art. No.	580 68 33-01, 580 68 33-02	588 14 64-01	588 14 64-01 (2 pcs.)	588 14 64-01 (2 pcs.)
Power supply, V/28 V DC	100-240	100-240	100-240	100-240
Low voltage cable length, m	10	10	10	10
Mean energy consumption at maximum use	17 kWh/month in a 2200 m ² working area	18 kWh/month in a 3200 m ² working area	20 kWh/month in a 4000 m ² working area	23 kWh/month in a 5000 m ² working area
Charging current, A DC	2.2	4.2	7	7
Average mowing time, min	75	145	290	270
Average charging time, min	50	50	60	60

Boundary wire antenna	Automower 420	Automower 430X	Automower 440	Automower 450X
Operating Frequency Band, Hz	300-80000	300-80000	300-80000	300-80000
Maximum Radio-frequency power, mW @60m ¹²	<25	<25	<25	<25

Noise emissions measured in the environment as sound power ¹³	Automower 420	Automower 430X	Automower 440	Automower 450X
Measured sound power noise level, dB (A)	57	57	56	58
Noise emissions uncertainties K _{WA} , dB (A)	1	1	1	1
Guaranteed sound power noise level	58	58	56	59
Sound pressure noise level at the operator's ear, dB (A) ¹⁴	46	46	45	47

Mowing	Automower 420	Automower 430X	Automower 440	Automower 450X
Cutting system	3 pivoted cutting blades			
Blade motor speed, rpm	2300	2300	2300	2300
Power consumption during cutting, W +/- 20 %	30	30	30	35
Cutting height, cm	2-6	2-6	2-6	2-6
Cutting width, cm	24	24	24	24
Narrowest possible passage, cm	60	60	60	60
Maximum angle for cutting area, %	45	45	45	45
Maximum angle for boundary wire, %	15	15	15	15
Maximum length boundary wire, m	800	800	800	800
Maximum length guide wire, m	400	400	400	400
Working capacity, m ² +/- 20%	2200	3200	4000	5000

IP-classification	Automower 420	Automower 430X	Automower 440	Automower 450X
Robotic lawnmower	IPX4	IPX4	IPX4	IPX4
Charging station	IPX1	IPX1	IPX1	IPX1
Power supply	IPX4	IPX4	IPX4	IPX4

Husqvarna AB does not guarantee full compatibility between the robotic lawnmower and other types of wireless systems such as remote controls, radio transmitters, hearing loops, underground electric animal fencing or similar.

¹² Maximum active output power to antennas in the frequency band in which the radio equipment operates.

¹³ The noise emission declarations conforms to EN 50636-2-107:2015. Noise emissions in the environment measured as sound power (L_{WA}) in conformity with EC directive 2000/14/EC. The guaranteed sound power level includes variation in production as well as variation from the test code with 1-3 dB(A).

¹⁴ Sound pressure noise uncertainties K_{pA}, 2-4 dB (A)

9 Warranty

9.1 Guarantee terms

Husqvarna guarantees this product's functionality for a period of two years (from date of purchase). The guarantee covers serious faults relating to materials or manufacturing faults. Within the guarantee period, we will replace the product or repair it at no charge if the following terms are met:

- The robotic lawnmower and the charging station may only be used in compliance with the instructions in this Operator's Manual. This manufacturer's guarantee does not have an effect on the user's existing warranty claims against the dealer/seller.
- Users or non-authorized third parties must not attempt to repair the product.

Examples of faults which are not included in the guarantee:

- Damage caused by water seepage from underneath the robotic lawnmower. This damage is normally caused by cleaning or irrigation systems or holes/hollows in the working area when pools of water are formed when it rains.
- Damage caused by lightning.
- Damage caused by improper battery storage or battery handling.
- Damage caused by using a battery that is not a Husqvarna original battery.
- Damage caused by not using Husqvarna original spare parts and accessories, such as blades and installation material.
- Damage to the loop wire.
- Damage caused by non-authorized changing or tampering with the product or its power supply.

The blades are seen as disposable and are not covered by the guarantee.

If an error occurs with your Husqvarna robotic lawnmower, please contact your local Husqvarna representative for further instructions. Please have the receipt and the robotic lawnmower's serial number at hand when contacting your local Husqvarna representative.

10 EC Declaration of Conformity

10.1 EC Declaration of Conformity

Husqvarna AB, SE-561 82 Huskvarna, Sweden, tel: +46-36-146500, declares that the Robotic lawnmowers **Husqvarna Automower® 105, Husqvarna Automower® 310, Husqvarna Automower® 315, Husqvarna Automower® 315X, Husqvarna Automower® 420, Husqvarna Automower® 430X, Husqvarna Automower® 440 and Husqvarna Automower® 450X** with serial numbers dating 2017 week 36 and onwards (the year and week is clearly stated on the rating plate, followed by the serial number), comply with the requirements of the COUNCIL'S DIRECTIVE:

- Directive "relating to machinery" **2006/42/EC**.
 - Particular requirements for robotic battery powered electrical lawnmowers **EN 50636-2-107: 2015**.
 - Electromagnetic fields **EN 62233: 2008**.
- Directive on "restriction of use of certain hazardous substances" **2011/65/EU**.
- Directive "relating to noise emissions from outdoor equipment" **2000/14/EC**. See also *Technical data on page 19* for information regarding noise emissions and the cutting width.

Husqvarna Automower® 105 (certificate 01/901/176): The notified body 0404, SMP Svensk Maskinprovning AB, Fyrisborgsgatan 3, SE-754 50 Uppsala, Sweden, has issued a report regarding the assessment of conformity according to annex VI to the Council's Directive of May 8, 2000 "relating to noise emissions into the environment" 2000/14/EC.

Husqvarna Automower® 310/315 (certificate 01/901/225), **Husqvarna Automower® 315X** (certificate 01/901/286) and **Husqvarna Automower® 420/430X/440/450X** (certificate 01/901/201): The notified body 0404, SMP Svensk Maskinprovning AB, Box 7035, SE-750 07 Uppsala, Sweden, has issued a report regarding the assessment of conformity according to annex VI to the Council's Directive of May 8, 2000 "relating to noise emissions into the environment" 2000/14/EC.

- Directive "relating to radio equipment" **2014/53/EU**. The following standards have been applied:

- **Final Draft 303 447 v1.1.1 (2017-06)**

Electromagnetic compatibility:

- **ETSI EN 301 489-1 v 2.2.0**

For **Husqvarna Automower® 310, Husqvarna Automower® 315, Husqvarna Automower® 315X, Husqvarna Automower® 420, Husqvarna Automower® 430X, Husqvarna Automower® 440 and Husqvarna Automower® 450X** equipped with the **Automower® Connect** module also:

- **EN 301 489-52 V1.1.1**
- **EN 301 511 V9.0.2 (Radio Spectrum Efficiency)**

For **Husqvarna Automower® 310, Husqvarna Automower® 315, Husqvarna Automower® 420 and Husqvarna Automower® 440** also:

- **EN 300 328 Draft V2.1.1**



Husqvarna 2017-09-01

Lars Roos

Global R&D Director, Electric category

(Authorized representative for Husqvarna AB and responsible for technical documentation.)



Inhalt

12 Einleitung

12.1 Memo.....	25
12.2 Produktbeschreibung.....	25
12.3 Kapazität.....	25
12.4 Mähtechnik.....	25
12.5 Arbeitsmethode.....	25
12.6 Bewegungsmuster.....	26
12.7 Suchen der Ladestation.....	26
12.8 Produktübersicht Automower 105.....	27
12.9 Produktübersicht Automower 310/315/315X.....	28
12.10 Produktübersicht Automower 420/430X/ 440/450X.....	29
12.11 Symbole auf dem Produkt.....	30

13 Sicherheit

13.1 Allgemeine Sicherheitshinweise.....	31
13.2 Gebrauch.....	31

14 Installation

14.1 Anschließen des Netzkabels.....	33
14.2 Bedienfeld.....	33
14.3 Display Automower 105.....	33
14.4 Bedienfeld Automower 105.....	34
14.5 Display Automower 310/315/315X/420/430X/ 440/450X.....	34
14.6 Bedienfeld Automower 310/315/315X/ 420/430X/440/450X.....	34
14.7 Menüstruktur.....	35
14.8 Untermenüs.....	35
14.9 Zwischen den Menüs blättern.....	35
14.10 Hauptmenü.....	35

15 Betrieb

15.1 Auswahl des Betriebs für Automower 105.....	37
15.2 Betriebsauswahl Start Automower 310/315/315X/420/430X/440/450X.....	37
15.3 Betriebsart Parken Automower 310/315/315X/420/430X/440/450X.....	37
15.4 Konnektivität.....	37
15.5 Einstellen der Schnitthöhe.....	38

16 Wartung

16.1 Reinigung.....	40
16.2 Batterie.....	40
16.3 Austausch der Messer.....	40

17 Fehlersuche

17.1 Fehlersuche.....	42
-----------------------	----

18 Transport, Lagerung und Entsorgung

18.1 Transport.....	43
---------------------	----

18.2 Lagerung im Winter.....	43
18.3 Umweltinformationen.....	44

19 Technische Daten

19.1 Automower 105/310/315/315X.....	45
19.2 Automower 420/430X/440/450X.....	46

20 Gewährleistung

20.1 Garantiebedingungen.....	48
-------------------------------	----

21 EG-Konformitätserklärung

21.1 EG-Konformitätserklärung.....	49
------------------------------------	----

12 Einleitung

12.1 Memo

Seriennummer:	
PIN-Code:	
Händler:	
Telefonnummer des Händlers:	

Bei einem Diebstahl des Mähroboters sollten Sie Husqvarna umgehend informieren. Setzen Sie sich mit Ihrem örtlichen Husqvarna-Händler in Verbindung und geben Sie die Seriennummer des Mähroboters an. Auf diese Weise kann das Gerät in einer internationalen Datenbank als gestohlen registriert werden. Dies ist eine wichtige Maßnahme zum Diebstahlschutz, die dem Kauf und Verkauf gestohlener Mähroboter entgegenwirken soll.

Die Seriennummer des Produkts ist neunstellig und wird auf dem Typenschild (auf der Innenseite der Klappe) und der Produktverpackung angegeben.

www.husqvarna.com

12.2 Produktbeschreibung

Herzlichen Glückwunsch! Sie haben ein Produkt allerhöchster Qualität erworben. Um die bestmöglichen Ergebnisse mit dem Husqvarna Mähroboter zu erzielen, muss man wissen, wie das Gerät funktioniert. In dieser Bedienungsanleitung sind wichtige Informationen zum Betrieb des Mähroboters kurz zusammengefasst. Neben der Bedienungsanleitung gibt es informative Anleitungsvideos auf der Husqvarna Website unter www.husqvarna.com.

Daran denken, dass der Bediener für Unfälle oder Gefahrensituationen verantwortlich ist, die anderen Personen oder deren Eigentum widerfahren.

Husqvarna arbeitet ständig an der Weiterentwicklung ihrer Produkte und behält sich daher das Recht auf Änderungen ohne vorherige Ankündigung, z. B. von Form und Aussehen, vor.

12.2.1 Vollständige Bedienungsanleitung

Eine vollständige Bedienungsanleitung befindet sich auf der Husqvarna Website www.husqvarna.com. Diese ist ausführlicher und enthält weitere Informationen, z. B. Anweisungen zur Installation, Wartung, Fehlerbehebung und Menüstruktur.

12.3 Kapazität

Der Mähroboter wird für Rasenflächen bis zu folgender Größe empfohlen:

- 600 m²: Automower 105
- 1000 m²: Automower 310
- 1500 m²: Automower 315
- 1600 m²: Automower 315X
- 2200 m²: Automower 420
- 3200 m²: Automower 430X
- 4000 m²: Automower 440
- 5000 m²: Automower 450X

Die Größe der Fläche, die der Mähroboter bearbeiten kann, hängt hauptsächlich vom Zustand der Klingen sowie von Grasart, Wuchsgeschwindigkeit und Feuchtigkeit ab. Darüber hinaus ist auch die Form des Gartens von entscheidender Bedeutung. Wenn der

Garten hauptsächlich aus einer freien Rasenfläche besteht, kann der Mähroboter pro Stunde mehr mähen, als wenn der Garten aus verschiedenen kleinen Rasenflächen mit vielen Bäumen, Blumenbeeten und Passagen besteht.

Ein vollständig aufgeladener Mähroboter mäht je nach Modell, Alter der Batterie und Grasdicke etwa 60 bis 290 Minuten. Anschließend lädt sich der Mähroboter für die Dauer von 50 bis 90 Minuten auf. Die Ladezeit kann in Abhängigkeit von verschiedenen Faktoren, u. a. der Umgebungstemperatur, unterschiedlich sein.

12.4 Mähtechnik

Das System des Mähroboters basiert auf einem effizienten und energiesparenden Prinzip. Im Unterschied zu vielen herkömmlichen Rasenmähern schneidet der Mähroboter das Gras ab, anstatt es abzuschlagen. Diese Schnitttechnik verbessert die Grasqualität. Das Aufsammeln von Gras ist nicht erforderlich, und kleine Stücke von geschnittenem Gras reduzieren den Bedarf an Düngemitteln. Darüber hinaus ist er emissionsfrei, praktisch und lässt Ihren Rasen immer gepflegt aussehen.

Optimale Mähergebnisse werden erzielt, wenn der Mähroboter das Gras bei trockenem Wetter mähen kann. Der Mähroboter kann auch bei Regen mähen. Nasses Gras bleibt jedoch leichter im Mähroboter hängen. Außerdem steigt das Risiko, dass der Mähroboter an steilen Hängen ins Rutschen kommt.

Die Klingen müssen für ein optimales Mähergebnis stets in gutem Zustand sein. Um die Klingen solange wie möglich scharf zu halten ist es wichtig, dass sich keine Äste, kleinen Steine oder andere Gegenstände auf dem Rasen befinden.

Tauschen Sie die Klingen regelmäßig aus. Informationen zum Austausch der Klingen finden Sie in der vollständigen Bedienungsanleitung auf der Husqvarna Website (www.husqvarna.com).

12.5 Arbeitsmethode

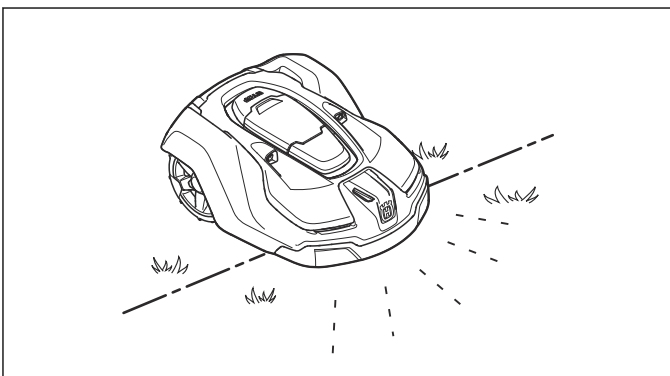
Führen Sie eine korrekte und sichere Montage der Schleife und des Suchkabels durch. Weitere

Informationen zur Montage finden Sie in der vollständigen Bedienungsanleitung auf der Husqvarna Website.

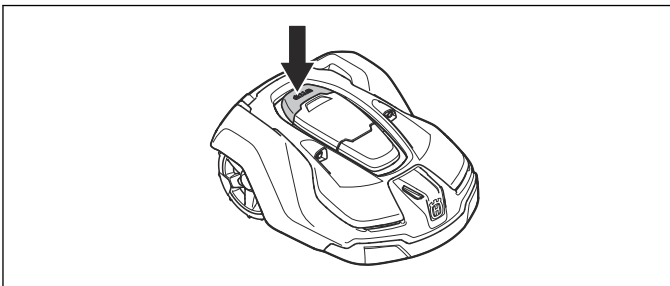
Der Mähroboter mäht den Rasen automatisch. Die Mähphasen wechseln sich ständig mit Ladephasen ab. Der Mähroboter beginnt nach der Ladestation zu suchen, wenn die Akkuladung zu schwach wird. Der Mähroboter mäht nicht, während er nach der Ladestation sucht.

Automower 315X/430X/450X verwendet GPS-unterstützte Navigation zum Mähen und beginnt an einer Stelle im Garten, an der er längere Zeit nicht gemäht hat. Bei den anderen Modellen müssen Sie unter Umständen die Ausfahrteinstellungen manuell festlegen, um einen gleichmäßigen Rasenschnitt sicherzustellen; weitere Informationen dazu finden Sie in der vollständigen Bedienungsanleitung auf der Husqvarna Website.

Wenn der Mähroboter auf ein Hindernis stößt oder sich dem Begrenzungskabel nähert, dreht er um und schlägt eine neue Richtung ein. Mittels Sensoren vorne und hinten erkennt der Mähroboter, wann er sich dem Begrenzungskabel nähert. Die Vorderseite des Mähroboters ragt vor dem Drehen des Mähroboters immer etwas über das Begrenzungskabel hinaus. Der Abstand kann geändert werden, um der Installation falls erforderlich angepasst zu werden.



Die **STOP**-Taste oben auf dem Mähroboter dient hauptsächlich dazu, den Mähroboter anzuhalten, wenn er in Betrieb ist. Wenn die **STOP**-Taste gedrückt wird, öffnet sich die Abdeckung, unter der sich das Bedienfeld befindet. Die **STOP**-Taste bleibt eingerastet, bis die Abdeckung wieder geschlossen wird. Dies dient zusammen mit der **START**-Taste als Startsperrung.



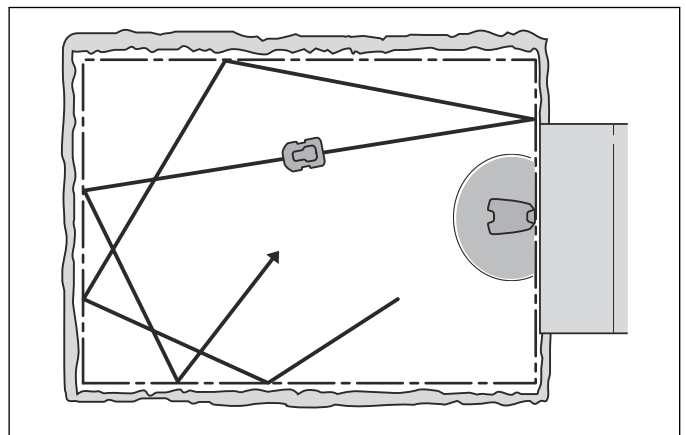
Hinweis: Drücken Sie immer die **START**-Taste, bevor Sie die Abdeckung zum Starten des Mähroboters schließen. Wenn die **START**-Taste nicht gedrückt wurde, ist ein Warnton zu hören, und der Mähroboter startet nicht.

Das Bedienfeld befindet sich oben auf dem Mähroboter. Hier können Sie sämtliche Einstellungen vornehmen.

Wenn der Hauptschalter zum ersten Mal auf **1** gestellt wird, beginnt eine Startsequenz mit einer Reihe von Grundeinstellungen, siehe „*Erste Einrichtung und Kalibrierung*“ in der vollständigen Bedienungsanleitung auf der Husqvarna Website.

12.6 Bewegungsmuster

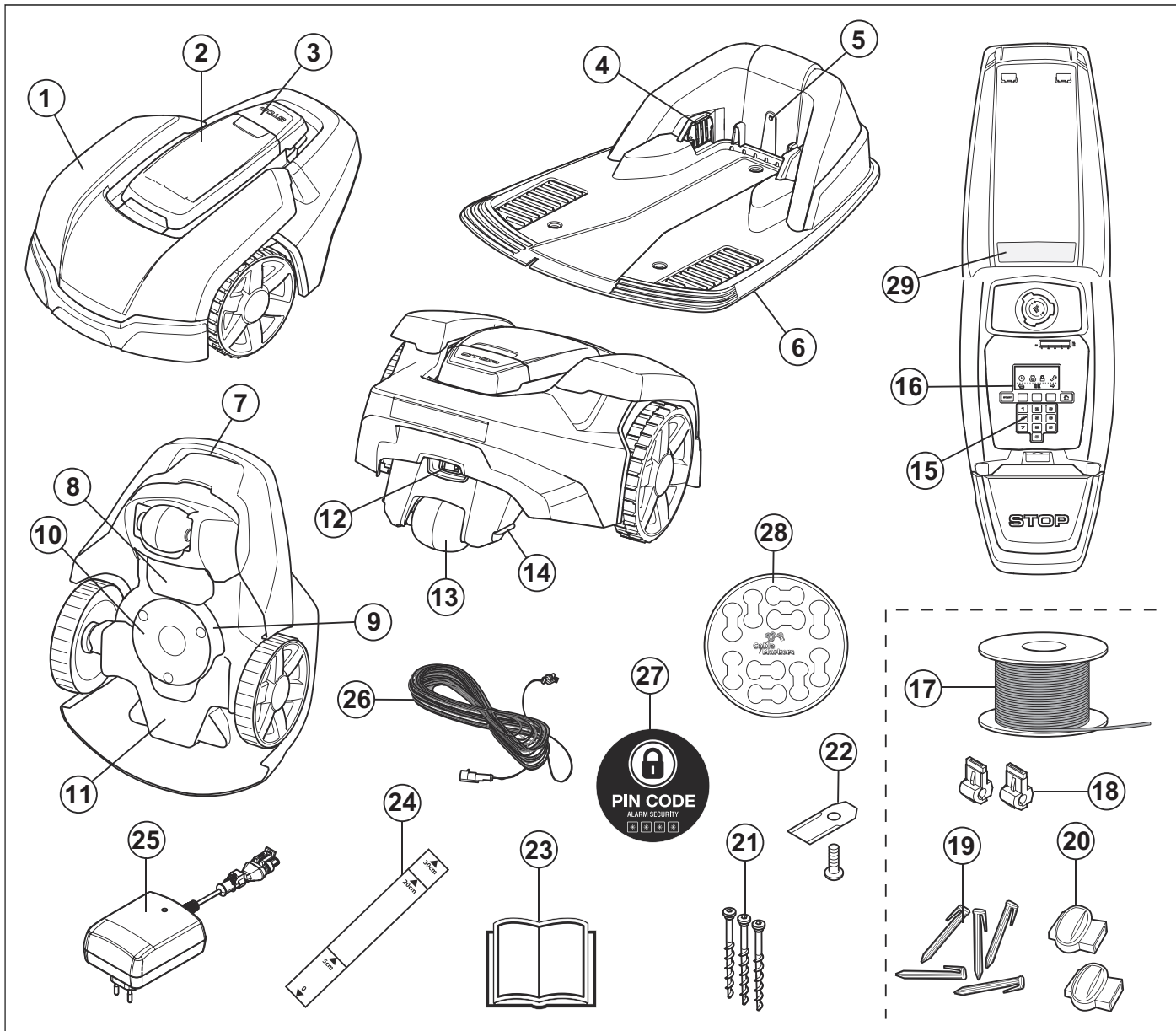
Das Bewegungsmuster des Mähroboters erfolgt nach dem Zufallsprinzip, was bedeutet, dass ein Bewegungsmuster nie wiederholt wird. Mit diesem Mähsystem wird der Rasen vom Mähroboter gleichmäßig und ohne Spuren gemäht.



12.7 Suchen der Ladestation

Um die Ladestation zu finden, kann der Automower 310/315/315X/420/430X/440/450X auf bis zu drei verschiedene Suchmethoden eingestellt werden. Der Mähroboter kombiniert diese drei Suchmethoden automatisch, um die Ladestation so schnell wie möglich zu finden und dabei unnötige Spurenbildung zu vermeiden. Automower 105 folgt immer dem Suchkabel zur Ladestation.

12.8 Produktübersicht Automower 105

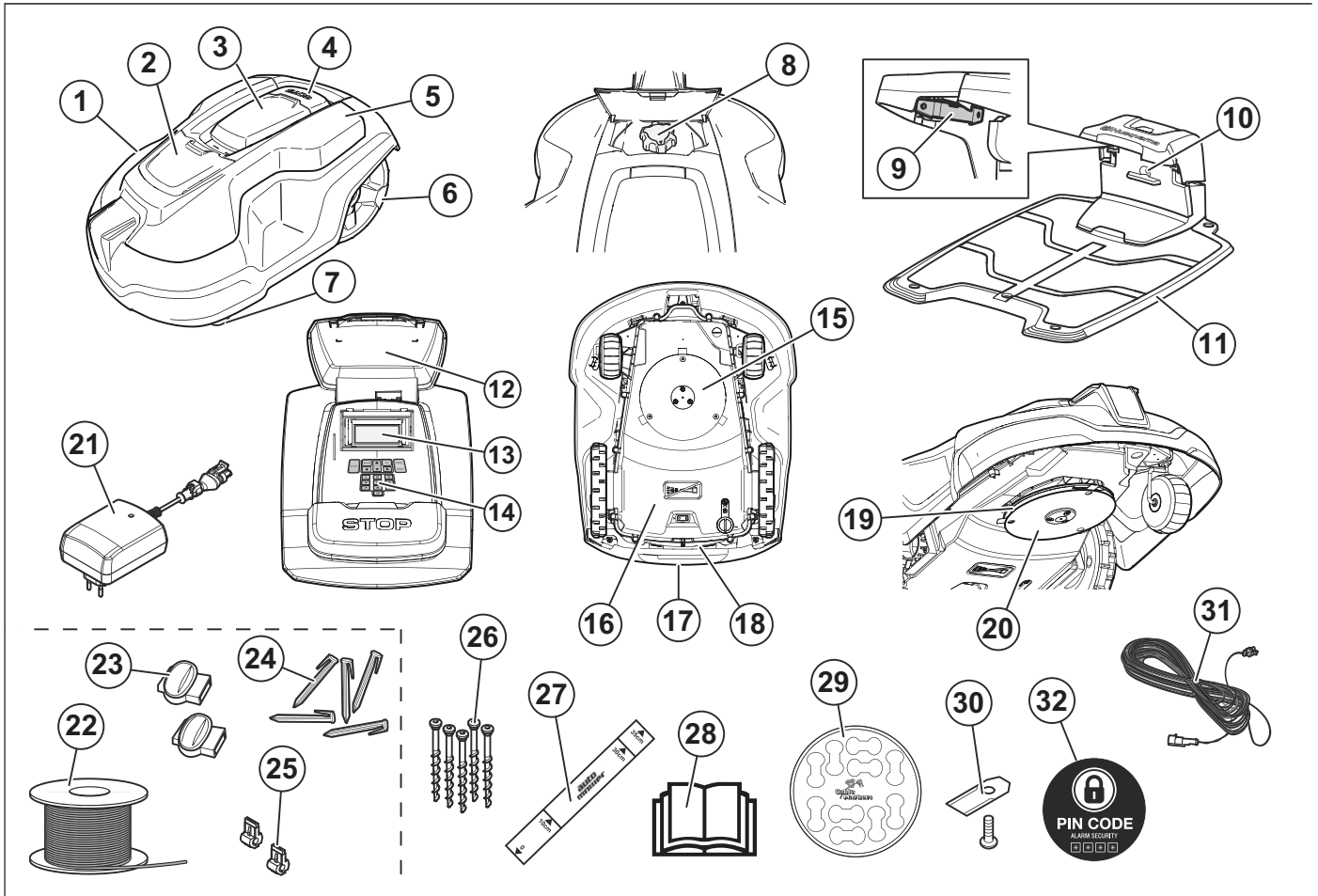


Die Zahlen in der Darstellung stehen für:

1. Gehäuse
2. Abdeckklappe für Display, Tastatur und Schnitthöheneinstellung
3. Stopptaste
4. Kontaktbleche
5. LED für die Anzeige von Funktion und Fehlern bezüglich der Ladestation, des Begrenzungskabels und des Suchkabels
6. Ladestation
7. Tragegriff
8. Akkuabdeckung
9. Messerteller
10. Gleitplatte
11. Chassisgehäuse mit Elektronik, Akku und Motoren
12. Hauptschalter
13. Hinterrad
14. Ladekontakte
15. Tastatur

16. Display
17. Schleifenkabel für Begrenzungskabel und Suchkabel
18. Verbinder zum Anschließen des Schleifenkabels an die Ladestation
19. Haken
20. Verbinder für Schleifenkabel
21. Schrauben zum Befestigen der Ladestation
22. Zusätzliche Klingen
23. Bedienungsanleitung und Kurzanleitung
24. Lineal für die Installation des Begrenzungskabels (das Lineal wird an der Perforationslinie aus dem Karton herausgelöst)
25. Netzkabel (das Aussehen des Netzkabels kann sich je nach Markt unterscheiden)
26. Niederspannungskabel
27. Alarm Aufkleber
28. Kabelmarkierungen
29. Typenschild

12.9 Produktübersicht Automower 310/315/315X



Die Zahlen in der Darstellung stehen für:

- | | |
|--|---|
| <ul style="list-style-type: none"> 1. Gehäuse 2. Abdeckung für Schnitthöheneinstellung 3. Abdeckung für Display und Tastatur 4. Stoptaste 5. Abnehmbare Abdeckung 6. Hinterräder 7. Vorderräder 8. Schnitthöheneinstellung 9. Kontaktbleche 10. LED für die Anzeige von Funktion und Fehlern bezüglich der Ladestation und des Begrenzungskabels 11. Ladestation 12. Typenschild 13. Display 14. Tastatur 15. Schneidsystem 16. Chassisgehäuse mit Elektronik, Akku und Motoren 17. Handgriff | <ul style="list-style-type: none"> 18. Hauptschalter 19. Messerteller 20. Gleitplatte 21. Netzkabel (das Aussehen des Netzkabels kann sich je nach Markt unterscheiden) 22. Schleifenkabel für Begrenzungskabel und Suchkabel ¹⁵ 23. Verbinder für das Schleifenkabel ¹⁶ 24. Haken ¹⁷ 25. Verbinder für Schleifenkabel ¹⁸ 26. Schrauben zum Befestigen der Ladestation 27. Lineal für die Installation des Begrenzungskabels (das Lineal wird an der Perforationslinie aus dem Karton herausgelöst) 28. Bedienungsanleitung und Kurzanleitung 29. Kabelmarkierungen 30. Zusätzliche Klingen 31. Niederspannungskabel 32. Alarm Aufkleber |
|--|---|

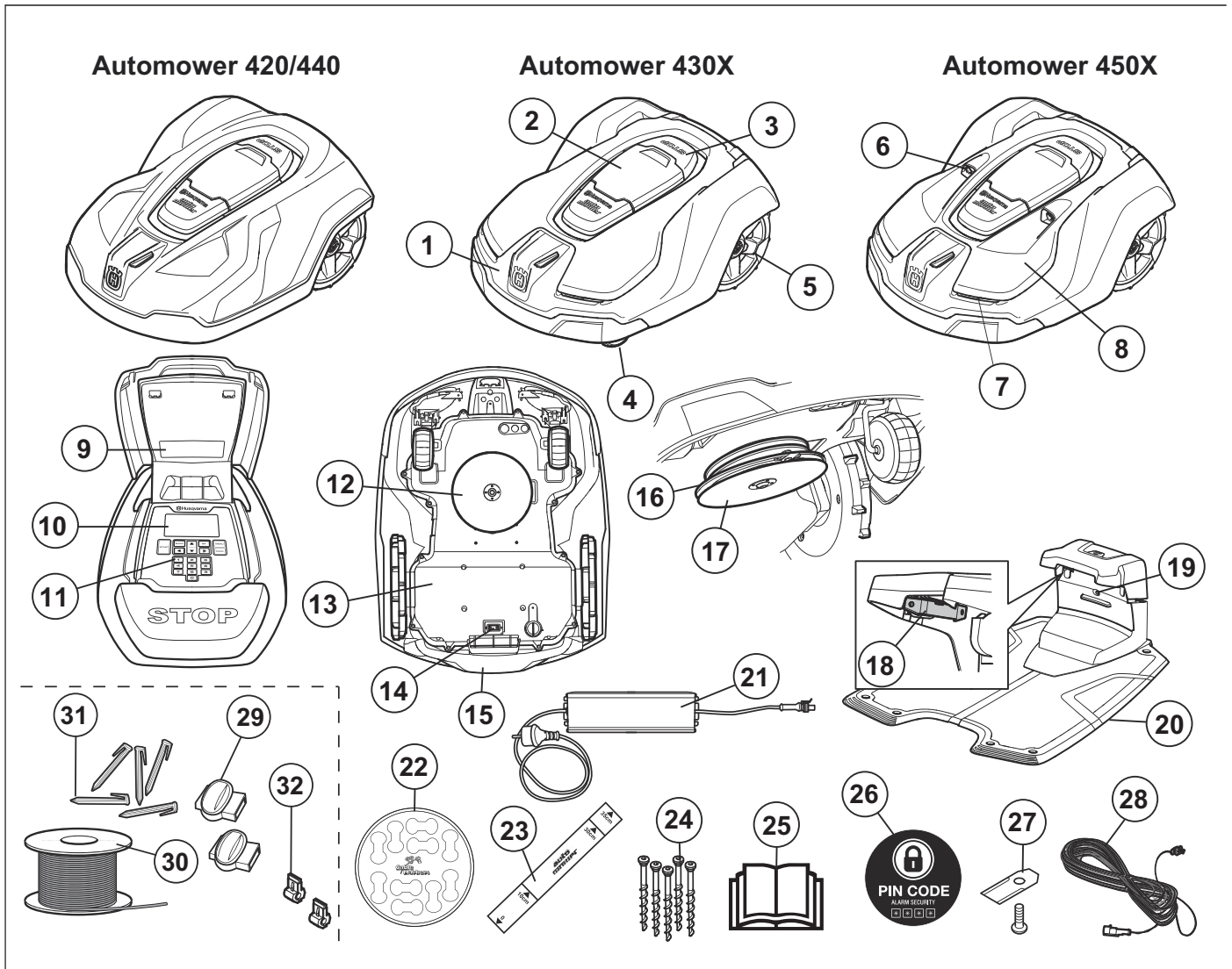
¹⁵ Teil des Installations-Kits, das separat erhältlich ist.

¹⁶ siehe Anmerkung 1

¹⁷ siehe Anmerkung 1

¹⁸ siehe Anmerkung 1

12.10 Produktübersicht Automower 420/430X/440/450X



Die Zahlen in der Darstellung stehen für:

- | | |
|---|--|
| <ul style="list-style-type: none"> 1. Gehäuse 2. Abdeckung für Display und Tastatur 3. Stopptaste 4. Vorderräder 5. Hinterräder 6. Ultraschallsensoren 7. Scheinwerfer 8. Abnehmbare Abdeckung 9. Typenschild 10. Display 11. Tastatur 12. Schneidsystem 13. Chassisgehäuse mit Elektronik, Akku und Motoren 14. Handgriff 15. Hauptschalter 16. Messerteller 17. Gleitplatte 18. Kontaktbleche | <ul style="list-style-type: none"> 19. LED für die Anzeige von Funktion und Fehlern bezüglich der Ladestation und des Begrenzungskabels 20. Ladestation 21. Stromversorgung 22. Kabelmarkierungen 23. Lineal für die Installation des Begrenzungskabels (das Lineal wird an der Perforationslinie aus dem Karton herausgelöst) 24. Schrauben zum Befestigen der Ladestation 25. Bedienungsanleitung und Kurzanleitung 26. Alarm Aufkleber 27. Zusätzliche Klingen 28. Niederspannungskabel 29. Verbinder für das Schleifenkabel ¹⁹ 30. Schleifenkabel für Begrenzungskabel und Suchkabel ²⁰ 31. Haken ²¹ 32. Verbinder für Schleifenkabel ²² |
|---|--|

¹⁹ Teil des Installations-Kits, das separat erhältlich ist.

²⁰ siehe Anmerkung 1

²¹ siehe Anmerkung 1

²² siehe Anmerkung 1

12.11 Symbole auf dem Produkt

Die folgenden Symbole befinden sich auf dem Mähroboter. Schauen Sie sich diese genau an.



WARNUNG: Lesen Sie die Bedienungsanleitung, bevor Sie den Mähroboter in Betrieb nehmen.



WARNUNG: Deaktivieren Sie das Gerät, bevor Sie daran arbeiten oder es anheben.

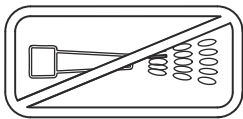
Der Mähroboter startet nur, wenn der Hauptschalter auf 1 steht und Sie den korrekten PIN-Code eingegeben haben. Schalten Sie vor Inspektions- und/oder Wartungsarbeiten den Hauptschalter auf 0.



WARNUNG: Halten Sie einen sicheren Abstand zur Maschine ein, wenn sie in Betrieb ist. Halten Sie Hände und Füße von den rotierenden Rasenmäherklingen fern.



WARNUNG: Setzen oder stellen Sie sich nicht auf die Maschine. Halten Sie stets mit Ihren Händen und Füßen einen sicheren Abstand zum Gehäuse ein.



Reinigen Sie den Mähroboter weder mit einem Hochdruckreiniger noch unter fließendem Wasser.



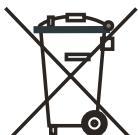
Sperrfunktion



Dieses Produkt erfüllt die geltenden EG-Richtlinien.



Lärmemission. Die Lärmemissionen des Produkts werden unter *Technische Daten auf Seite 45* und auf dem Typenschild angegeben.



Es ist nicht zulässig, dieses Produkt über den normalen Hausmüll zu entsorgen. Stellen Sie sicher, dass das Gerät in Übereinstimmung mit den örtlich geltenden Regelungen entsorgt wird.



Das Chassis enthält Bauteile, die empfindlich gegenüber elektrostatischer Entladung (electrostatic discharge = ESD) sind. Das Chassis muss fachmännisch neu versiegelt werden. Aus diesen Gründen sollte das Chassis ausschließlich von autorisierten Servicetechnikern geöffnet werden. Wenn sie das Siegel zerstören, kann das zu teilweisem oder vollständigem Erlöschen der Garantie führen.



Das Niederspannungskabel darf weder gekürzt, verlängert noch gespleißt werden.

Verwenden Sie keinen Trimmer in der Nähe des Niederspannungskabels. Gehen Sie beim Trimmen von Kanten, an denen die Kabel verlegt sind, vorsichtig um.

Deaktivieren Sie das Gerät, bevor Sie das Produkt verwenden oder anheben.

13 Sicherheit

13.1 Allgemeine Sicherheitshinweise

Um das Lesen dieser Bedienungsanleitung zu erleichtern, haben wir die Darstellung der Texte wie folgt gewählt:

- Texte, die *kursiv* dargestellt sind, werden entweder im Display des Mähroboters angezeigt, oder es sind Verweise auf einen anderen Abschnitt in der Bedienungsanleitung.

- **Fett** gedruckter Text steht für die Tasten der Mähroboter-Tastatur.
- Text in *GROSSBUCHSTABEN* und *kursiver* Schrift gibt die Position des Hauptschalters und die verschiedenen, für den Mähroboter verfügbaren Betriebsmodi an.

13.1.1 WICHTIG. VOR GEBRAUCH SORGFÄLTIG DURCHLESEN. ZUM SPÄTEREN NACHSCHLAGEN AUFBEWAHREN

Der Bediener ist für Unfälle und Gefahren verantwortlich, die an anderen Personen oder deren Eigentum entstehen.

Der Gebrauch des Geräts durch Personen (einschließlich Kindern), die über eingeschränkte körperliche, sensorische oder geistige Fähigkeiten verfügen oder denen es an der erforderlichen Erfahrung und Kenntnissen mangelt, ist untersagt, sofern sie nicht von einer für ihre Sicherheit verantwortlichen Person bei der Arbeit überwacht und im Gebrauch des Geräts zuvor geschult wurden. Kinder nicht mit dem Gerät spielen lassen. Das Gerät ist kein Spielzeug!

Dieses Gerät kann von Kindern ab 8 Jahren sowie von Personen mit eingeschränkten physischen, sensorischen oder psychischen Fähigkeiten bzw. Personen ohne jegliche Erfahrung oder Kenntnisse verwendet werden, wenn sie beaufsichtigt werden oder ihnen die sichere Verwendung des Geräts ausführlich erklärt wurde und sie sich der Gefahren bewusst sind. Unter Umständen gelten gesetzlich vorgeschriebene Altersbeschränkungen. Beseitigen von Resten und Wartung dürfen nicht ohne Aufsicht von Kindern durchgeführt werden.

Schließen Sie das Netzkabel niemals an eine Steckdose an, wenn Stecker oder Kabel beschädigt sind. Abgenutzte oder beschädigte Kabel erhöhen das Risiko eines Elektroschocks.

Laden Sie den Akku nur in der mitgelieferten Ladestation auf. Eine inkorrekte Verwendung kann zu elektrischen Schlägen, Überhitzung oder Austreten von ätzender Flüssigkeit aus dem Akku führen. Spülen Sie den Bereich im Falle eines Austretens von Elektrolyt mit Wasser/Neutralisierungsmittel. Suchen Sie bei Kontakt mit den Augen umgehend einen Arzt auf.

Verwenden Sie nur vom Hersteller empfohlene Originalakkus. Produktsicherheit kann nur bei der Verwendung von Originalakkus gewährleistet werden. Verwenden Sie keine nicht aufladbaren Akkus.

Das Gerät muss bei der Akkuentnahme vom Stromnetz getrennt sein.



WARNUNG: Der Mähroboter kann bei unsachgemäßem Gebrauch eine Gefahr darstellen.



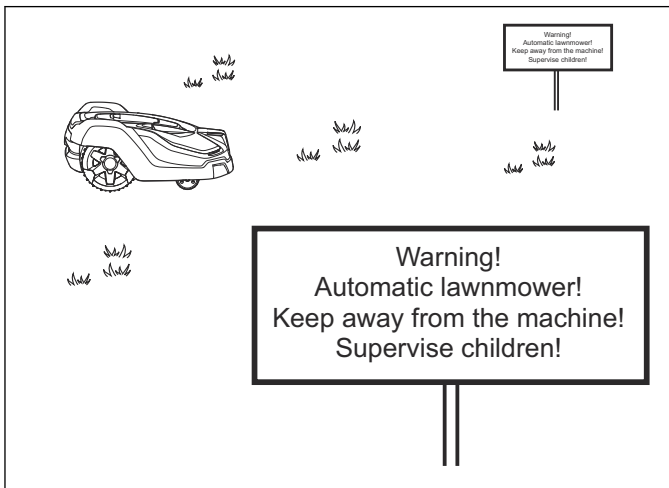
WARNUNG: Benutzen Sie den Mähroboter niemals, wenn sich Personen und insbesondere Kinder oder Haustiere in der Nähe des Mähbereichs befinden.



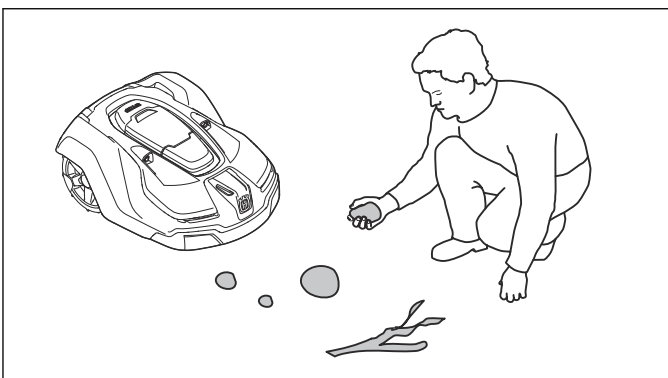
WARNUNG: Halten Sie Hände und Füße von den rotierenden Rasenmäherklingen fern. Halten Sie stets mit Ihren Händen und Füßen einen sicheren Abstand zum Gehäuse ein, solange dieser in Betrieb ist.

13.2 Gebrauch

- Der Mähroboter ist zum Mähen von Gras auf offenen und ebenen Flächen bestimmt. Er darf nur mit dem durch den Hersteller empfohlenen Zubehör verwendet werden. Andere Verwendungsarten sind nicht zulässig. Die Anweisungen des Herstellers hinsichtlich Betrieb/Wartung sind genau einzuhalten.
- Bei Nutzung des Mähroboters im öffentlichen Bereich müssen Warnschilder um den Arbeitsbereich angebracht werden. Diese Schilder müssen mit folgendem Text versehen sein:
Warnung! Automatischer Rasenmäher! Halten Sie sich von dem Gerät fern! Kinder müssen beaufsichtigt werden!



- Verwenden Sie die Funktion **PARK** oder schalten Sie den Mähroboter aus, wenn sich Personen, insbesondere Kinder, oder Haustiere in der Nähe des Schnittbereichs befinden. Es wird empfohlen, den Rasenmäher für den Betrieb in den Zeiten zu programmieren, in denen in dem Bereich keine Aktivitäten stattfinden, z. B. in der Nacht.
- Der Mähroboter darf nur von Personen betrieben, gewartet und repariert werden, die mit dessen Eigenschaften und den beim Gebrauch einzuhaltenden Sicherheitsvorschriften völlig vertraut sind. Lesen Sie die Bedienungsanleitung sorgfältig durch und machen Sie sich mit dem Inhalt vertraut, bevor Sie den Mähroboter benutzen.
- Es ist verboten, das Originaldesign des Mähroboters zu verändern. Alle diesbezüglichen Veränderungen erfolgen auf eigene Gefahr.
- Stellen Sie sicher, dass sich keine Steine, Äste, Werkzeuge, Spielzeuge oder andere Gegenstände auf dem Rasen befinden, welche die Klingen beschädigen. Der Mähroboter kann an Gegenständen auf dem Rasen hängenbleiben und sich u. U. nicht selbständig davon befreien, sodass der Gegenstand entfernt werden muss, bevor der Mäher weiter mähen kann. Stellen Sie immer den Hauptschalter auf Position 0, bevor Sie eine Blockierung entfernen.



- Starten Sie den Mähroboter gemäß den Anweisungen. Wenn der Hauptschalter auf 1 steht, achten Sie darauf, dass sich Ihre Hände und Füße nicht in der Nähe der rotierenden Messer befinden. Halten Sie Ihre Hände und Füße von der Unterseite des Mähroboters fern.

- Berühren Sie niemals bewegliche gefährliche Bauteile, wie z. B. die Flügelscheibe, bevor diese vollständig zum Stillstand gekommen sind.
- Den Mähroboter niemals hochheben oder tragen, wenn der Hauptschalter auf Position 1 steht.
- Lassen Sie den Mähroboter von keiner Person bedienen, die nicht weiß, wie der Mähroboter funktioniert und sich verhält.
- Der Mähroboter darf niemals mit Personen oder anderen Lebewesen kollidieren. Wenn eine Person oder ein anderes Lebewesen in den Fahrweg des Mähroboters gelangt, muss er sofort angehalten werden.
- Legen Sie nichts auf das Gehäuse des Mähroboters oder seine Ladestation.
- Der Mähroboter darf nicht mit beschädigtem Schutz, Messerteller oder Gehäuse betrieben werden. Darüber hinaus darf er auch nicht mit beschädigten Klingen, Schrauben oder Kabeln betrieben werden. Schließen Sie niemals ein beschädigtes Kabel an, oder berühren ein beschädigtes Kabel, bevor es von der Stromversorgung getrennt wurde.
- Verwenden Sie den Mähroboter nicht, wenn der Hauptschalter nicht funktioniert.
- Schalten Sie den Mähroboter stets über den Hauptschalter aus, wenn der Mähroboter nicht gebraucht wird. Der Mähroboter startet nur, wenn der Hauptschalter auf 1 steht und der korrekte PIN-Code eingegeben wurde.
- Der Mähroboter darf nicht gleichzeitig mit einem Rasensprenger eingesetzt werden. Benutzen Sie die Timer-Funktion, damit Rasensprenger und Mähroboter nicht gleichzeitig in Betrieb sind.
- Husqvarna übernimmt keine Garantie für die vollständige Kompatibilität zwischen dem Mähroboter und anderen kabellosen Systemen wie Fernbedienungen, Sendern, im Boden verlegten elektrischen Umzäunungen von Viehweiden o. Ä.
- Der integrierte Alarm ist sehr laut. Seien Sie vorsichtig, insbesondere wenn der Mähroboter im Innenbereich benutzt wird.
- Metallische Gegenstände im Boden (z. B. Stahlbeton oder Anti-Maulwurfnetze) können zu einem Anhalten des Mähers führen. Die metallischen Gegenstände können eine Interferenz mit dem Schleifensignal verursachen, was zu einem Anhalten des Mähers führen kann.
- Der Mähroboter darf nicht bei Temperaturen unter 0 °C oder über 50 °C angewendet werden. Dies kann zu Schäden am Gerät führen.

14 Installation

14.1 Anschließen des Netzkabels

Beachten Sie bei der Aufstellung des Netzgeräts folgende Faktoren:

- Nahe der Ladestation
- Vor Regen geschützt
- Keine direkte Sonneneinstrahlung.

Das Netzgerät muss an einem gut belüfteten Standort platziert und überdacht werden. Achten Sie beim Anschluss des Netzkabels an Steckdosen im Freibereich darauf, dass diese für den Betrieb im Freien zugelassen sind. Es wird empfohlen, beim Anschluss des Netzkabels an die Steckdose einen Erdschlusstremschalter (RCD) zu verwenden.

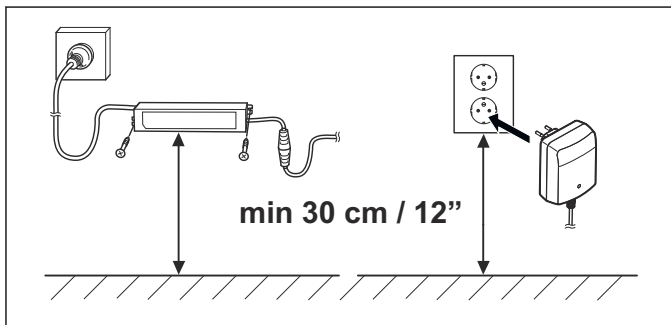


WARNUNG: Gültig für USA/Kanada. Wenn die Stromversorgung im Freien installiert wird: Es besteht Stromschlaggefahr. Nur an einer Steckdose der Klasse A mit FI-Schutz (RCD) mit witterungsbeständigem Gehäuse installieren, bei dem die Verschlusskappe eingefügt oder entfernt wurde.

Alle Komponenten des Netzteils dürfen nicht verändert oder manipuliert werden. Das Niederspannungskabel darf beispielsweise weder gekürzt noch verlängert werden. Niederspannungskabel mit 3 m oder 20 m Länge sind als optionales Zubehör erhältlich.



WARNUNG: Das Netzkabel darf keinesfalls in einer Höhe montiert werden, bei der die Gefahr besteht, dass es in Wasser eintaucht (in einer Höhe von mindestens 30 cm vom Boden). Das Netzkabel darf nicht auf den Boden gelegt werden.



WARNUNG: Alle Komponenten des Netzteils dürfen unter keinen Umständen verändert oder manipuliert werden. Das Niederspannungskabel darf weder gekürzt noch verlängert werden.



WARNUNG: Trennen Sie die Ladestation über den Stecker, bevor Sie z. B. Reinigungsarbeiten vornehmen oder das Schleifenkabel reparieren.



WARNUNG: Passen Sie die Schnitthöhe entsprechend an und verlegen Sie das Niederspannungskabel so, dass die Messer am Messerteller dieses nicht berühren können.

Weitere Hinweise zur korrekten Installation finden Sie im Kapitel *Installation* in der vollständigen Bedienungsanleitung auf der Husqvarna Website www.husqvarna.com.

14.2 Bedienfeld

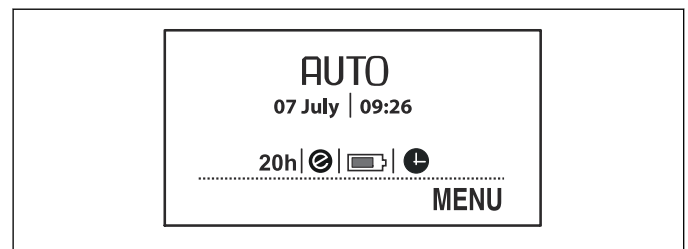
Alle Befehle und Einstellungen für den Mähroboter erfolgen über das Bedienfeld. Alle Funktionen sind über eine Reihe von Menüs zugänglich.

Das Bedienfeld besteht aus einem Display und einer Tastatur. Alle Informationen werden auf dem Display angezeigt und alle Eingaben erfolgen über die Tasten.

Die Texte auf dem Display werden in der Bedienungsanleitung in Englisch, auf der Produktanzeige jedoch in der ausgewählten Sprache angezeigt.

14.3 Display Automower 105

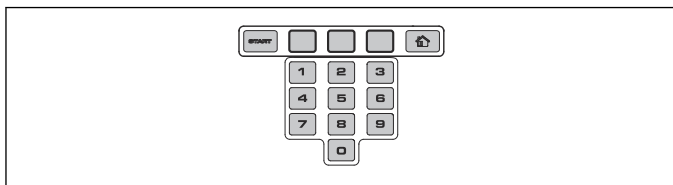
Wenn die **STOP**-Taste gedrückt und die Abdeckung geöffnet wurde, erscheint das Bedienfenster. Uhrzeit, ausgewählter Betriebsmodus, Anzahl der Mähstunden und Batteriestatus werden angezeigt.



- Die Uhrzeit entspricht der aktuellen Zeit.
- Das Datum zeigt den aktuellen Tag an.
- Die Anzahl der Betriebsstunden gibt die Anzahl der Stunden an, die der Mähroboter seit Herstellungstag in Betrieb gewesen ist. Die Zeit, die der Mähroboter mit Mähen oder Suchen nach der Ladestation verbracht hat, wird als Betriebszeit angerechnet.
- *AUTO*, *MAN* oder *HOME* zeigt den ausgewählten Betriebsmodus an.
- Der Batteriezustand zeigt die noch verbleibende Batterieladung an.
- Das ECO-Symbol wird angezeigt, wenn sich der Mähroboter im *ECO-Modus* befindet.
- Das Uhrensymbol wird angezeigt, wenn der Timer aktiviert ist. Das Uhrensymbol ist schwarz, wenn der Mähroboter aufgrund der Timer-Einstellung nicht mähen darf.
- Der Text *MENÜ* bedeutet, dass das Hauptmenü durch Drücken der Auswahl Taste unter dem Text aufgerufen werden kann.

14.4 Bedienfeld Automower 105

Die Tastatur besteht aus vier Tastenblöcken:



- Mit der **START**-Taste wird der Mähroboter eingeschaltet. Dies ist normalerweise die letzte Taste, die vor dem Schließen der Abdeckung zu drücken ist.
- Die drei **Auswahltasten** bieten verschiedene Funktionen, die auch davon abhängen, wo Sie sich in der Menüstruktur befinden. Die Tastenfunktion wird unten im Display angezeigt.
- Über die Zifferntasten können beispielsweise der PIN-Code oder Zeiteinstellungen eingegeben werden.
- Die Taste zur Auswahl des Betriebs ist durch ein Haus gekennzeichnet. Durch Drücken der Taste wird der ausgewählte Betriebsmodus im Display angezeigt.

14.5 Display Automower 310/315/315X/420/430X/440/450X

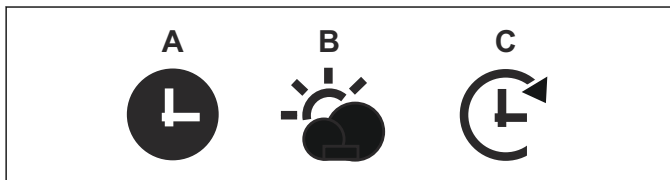
Wenn die **STOP**-Taste gedrückt wurde und die Abdeckung offen ist, wird folgende Information angezeigt:



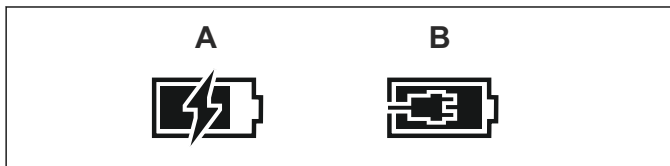
- Betriebsinformationen, z. B. *FERTIG*, *MÄHEN*, *GEPARKT* oder *TIMER*. Befindet sich der Mähroboter in keinem bestimmten Betriebsmodus, z. B. wenn der Hauptschalter gerade eingeschaltet wurde, wird *FERTIG* angezeigt. Wird die **STOP**-Taste gedrückt, zeigt der Mähroboter an, welche Aufgabe er vorher ausgeführt hat, z. B. *MÄHEN* oder *SUCHEN*.
- Datum und Uhrzeit entsprechen der aktuellen Zeit.
- Für Automower 315X/430X/450X: Das Satelliten-Symbol wird angezeigt, wenn die GPS-unterstützte Navigation aktiviert ist. Symbol (A) wird angezeigt, wenn der Mähroboter eine Verbindung mit einer ausreichenden Anzahl an GPS-Satelliten hergestellt hat. Symbol (B) wird angezeigt, wenn der Mähroboter nicht mit einer ausreichenden Anzahl an GPS-Satelliten eine Verbindung hergestellt hat. Symbol (A) blinkt während der ersten Tage, an denen der Mähroboter in Betrieb ist, da er GPS-Daten zur Installation erfasst.



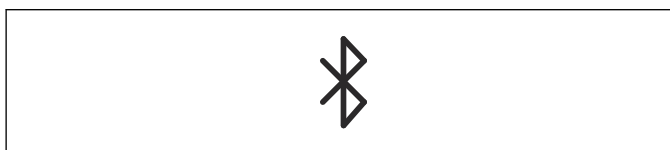
- Das ECO-Symbol wird angezeigt, wenn sich der Mähroboter im *ECO-Modus* befindet.
- Das schwarze Uhrensymbol (A) wird angezeigt, wenn der Mäher aufgrund der Timer-Einstellung nicht mähen darf. Wenn der Mähroboter aufgrund des *Wetter-Timers* nicht mähen darf, wird Symbol (B) angezeigt. Wenn der Betriebsmodus *Timer ausschalten* ausgewählt wurde, wird das Symbol (C) angezeigt.



- Der Batteriezustand zeigt die noch verbleibende Batterieladung an. Während der Mähroboter aufgeladen wird, wird zudem über dem Batteriesymbol (A) ein Blitz angezeigt. Wenn der Mähroboter ohne aufgeladen zu werden in der Ladestation platziert wird, wird (B) angezeigt.

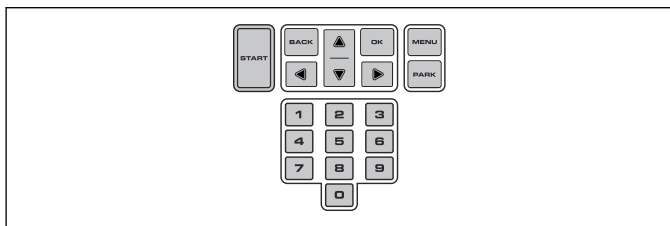


- Die Höhenverstellung wird als Skala/numerischer Wert angezeigt.
- Für Automower Connect@Home (siehe *Automower Connect@Home auf Seite 38*): Ein Symbol für drahtlose Kommunikation über Bluetooth® erscheint in der Anzeige des Mähroboters, wenn eine Verbindung mit Ihrem Smartphone hergestellt worden ist.



14.6 Bedienfeld Automower 310/315/315X/420/430X/440/450X

Die Tastatur besteht aus sechs Tastenblöcken:



- Mit der **START**-Taste wird der Mähroboter eingeschaltet. Dies ist normalerweise die letzte Taste, die vor dem Schließen der Abdeckung zu drücken ist.

- Die **ZURÜCK**- und **OK**-Tasten dienen der Menüsteuerung. Mit der **OK**-Taste werden auch Einstellungen bestätigt.
- Die **Pfeiltasten** dienen der Menünavigation und der Auswahl bei bestimmten Einstellungsmöglichkeiten.
- Mit der **MENÜ**-Taste wechselt man zum Hauptmenü.
- Mit der **PARK**-Taste schickt man den Mähroboter zur Ladestation.
- Mit den **Zahlentasten** können Sie Einstellungen vornehmen, wie z. B. PIN-Code, Zeiteinstellungen oder die Fahrtrichtung aus der Ladestation heraus.



Schnitthöhe

Gültig für Automower 420/430X/440/450X

Die Schnitthöhe kann zwischen MIN (1) und MAX (9) eingestellt werden. In der ersten Woche nach einer Neuinstallation muss die Schnitthöhe auf MAX eingestellt werden, damit das Schleifenkabel nicht beschädigt wird. Danach kann die Schnitthöhe schrittweise jede Woche gesenkt werden, bis die gewünschte Schnitthöhe erreicht ist.

14.7 Menüstruktur

Das Hauptmenü für den Automower 105 umfasst vier Auswahlmöglichkeiten. Automower 310 verfügt über sechs und Automower 315/315X über sieben Auswahlmöglichkeiten. Das Hauptmenü für den Automower 420/430X/440/450X umfasst acht Auswahlmöglichkeiten.



Sicherheit

In diesem Menü können Einstellungen bezüglich der Sicherheit und der Verbindung zwischen dem Mähroboter und der Ladestation vorgenommen werden. Es stehen drei Sicherheitsebenen zur Auswahl: *Niedrig*, *Mittel* und *Hoch*.

14.8 Untermenüs

Unter jeder Option gibt es darüber hinaus noch eine Reihe von Untermenüs. Über die Untermenüs können Sie alle Funktionen für den Mähroboter erreichen und einstellen.

Bestimmte Untermenüs enthalten Optionen, die links mit einem Häkchen versehen sind. Dies bedeutet, dass diese Optionen ausgewählt sind. Drücken Sie **OK**, um das Kästchen zu aktivieren/deaktivieren.



Meldungen

Gültig für Automower 310/315/315X/420/430X/440/450X

In diesem Menü können historische Fehler- und Informationsmeldungen eingesehen werden. Für einige der häufigsten Fehlermeldungen findet man hier Hilfe und Tipps, wie man den Fehler behebt.

14.9 Zwischen den Menüs blättern

Blättern Sie mit den Auswahl-tasten (Automower 105) oder **Pfeiltasten** (Automower 310/315/315X/420/430X/440/450X) durch das Hauptmenü und die Untermenüs. Geben Sie mit den Zahlentasten Werte und Uhrzeiten ein, und bestätigen Sie jede Auswahl mit der Auswahl-taste **OK**. Drücken Sie **BACK**, um zur höheren Menüebene zu wechseln, oder halten Sie die **HOME**- (Automower 105) bzw. **MENU**-Taste (Automower 310/315/315X/420/430X/440/450X) 2 Sekunden lang gedrückt, um direkt zum Hauptmenü zurück zu wechseln.



Wetter-Timer

Gültig für Automower 315/315X/420/430X/440/450X

Mit dieser Funktion kann der Mähroboter seine Schneidezeiten automatisch auf Grundlage der Wachstumsstärke des Rasens einstellen. Wenn das Wetter das Graswachstum begünstigt, mäht er häufiger. Das Gleiche gilt umgekehrt für schlechte Wachstumsphasen.

14.10 Hauptmenü



Timer

Um ein optimales Mähergebnis zu erzielen, sollte der Rasen nicht zu oft gemäht werden. Daher ist es wichtig, die Betriebszeit mit der Timer-Funktion zu begrenzen, wenn die Fläche des Arbeitsbereichs geringer als die Arbeitskapazität des Mähroboters ist. Die Timer-Funktion ist darüber hinaus eine gute Möglichkeit zu kontrollieren, während welcher Zeiten der Mähroboter nicht mähen sollte, z. B. wenn Kinder im Garten spielen.



Installation

Über diese Menüfunktion kann die Installation angepasst werden. Bei vielen Arbeitsbereichen müssen die Werkseinstellungen nicht geändert werden. Jedoch kann, je nach Beschaffenheit des Rasens, durch manuelles Ändern der Einstellung ein besseres Mähresultat erzielt werden.



Einstellungen

Hier können Sie Änderungen an den allgemeinen Einstellungen des Mähroboters, wie Datum und Zeit, vornehmen. Sie können ebenfalls den *ECO-Modus* und *Spiralschnitt* ein- oder ausschalten oder Ihre Einstellungen in verschiedenen *Profilen* speichern (nur Automower 315/315X/420/430X/440/450X).



Zubehör

Gültig für Automower 310/315/315X/420/430X/440/450X

In diesem Menü werden die Einstellungen für Mähroboter-Zubehör vorgenommen, zum Beispiel für Automower Connect oder Automower Connect@Home. Wenden Sie sich an Ihren Husqvarna Händler vor Ort, wenn Sie Informationen darüber benötigen, welches Zubehör für Ihren Mähroboter verfügbar ist.

15 Betrieb

15.1 Auswahl des Betriebs für Automower 105

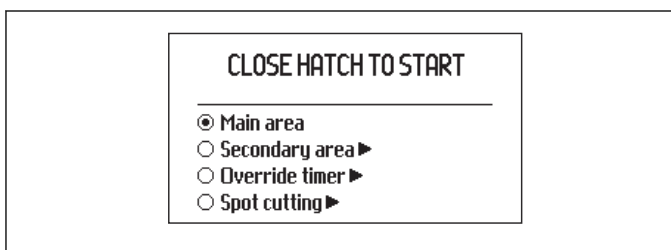
Sie können durch mehrmaliges Drücken der Taste zur **Auswahl des Betriebs** zwischen drei unterschiedlichen Betriebsmodi wählen.

- **HOME.** Schickt den Mähroboter zur Ladestation. Der Betriebsmodus bleibt aktiv, bis ein anderer ausgewählt wird. Der Text HOME wird im Bedienfenster angezeigt. Wenn die Batterie vollständig geladen ist, wird der Mähroboter die Ladestation erst dann verlassen und mit dem Mähen beginnen, wenn der Betriebsmodus auf **AUTO** geändert wird.
- **AUTO.** Der standardmäßige automatische Betriebsmodus, in dem der Mähroboter automatisch mäht und auflädt.
- **MAN.** Für das Mähen von Nebenflächen muss die Betriebsart **MAN** gewählt werden. Wenn Sie **MAN** wählen und der Mähroboter gestartet wird, wenn er sich auf dem Rasen befindet, mäht er, bis die Batterie leer ist. Danach stoppt er und zeigt die Meldung „Benötigt manuelles Laden“ an. Sie müssen den Mähroboter dann von Hand zur Ladestation bringen und nach dem Laden von Hand starten. Wenn Sie den Mähroboter im Betriebsmodus **MAN** laden, fährt er nach der vollständigen Ladung ca. 20 cm aus der Ladestation heraus und bleibt dann stehen. Dies zeigt an, dass der Mähroboter vollständig geladen und bereit zum Mähen ist.

15.2 Betriebsauswahl Start Automower 310/315/315X/420/430X/440/450X

Wenn Sie die **START**-Taste gedrückt haben, können folgende Betriebsmodi ausgewählt werden:

- **HAUPTBEREICH.** Der standardmäßige Betriebsmodus, in dem der Mähroboter automatisch mäht und auflädt.



- **NEBENBEREICH.** Für das Mähen von Nebenflächen muss diese Betriebsart gewählt werden.

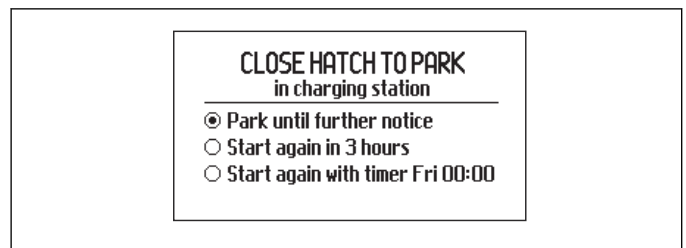
Lädt der Mähroboter im Nebenbereich-Modus, fährt er nach vollständigem Laden 50 cm heraus und bleibt stehen. Dies zeigt an, dass der Mähroboter vollständig geladen und bereit zum Mähen ist. Wenn der Hauptarbeitsbereich nach dem Laden gemäht werden soll, muss die Betriebsart auf **Hauptbereich** umgestellt werden, bevor der Mähroboter in die Ladestation gestellt wird.

- **TIMER AUSSCHALTEN.** Alle Timereinstellungen können kurzzeitig durch Wahl von Timer ausschalten aufgehoben werden. Sie können den Timer für 24 Std. oder 3 Tage *überschreiben*.
- **SPIRALSCHNITT** (nicht verfügbar für Automower 310). Der Mähroboter arbeitet in spiralförmigen Mustern, um das Gras nur in dem Bereich zu schneiden, in dem seltener gemäht wird als in anderen Bereichen des Gartens.

Die Funktion *Spiralschnitt* wird mit der **START**-Taste aktiviert. Wenn der Mähvorgang beendet ist, können Sie auswählen, wie der Mähroboter fortfahren soll, indem Sie auf die **Pfeiltaste Rechts** drücken und dann entweder *Hauptbereich* oder *Nebenbereich* angeben.

15.3 Betriebsart Parken Automower 310/315/315X/420/430X/440/450X

Wenn Sie die **PARK**-Taste betätigen, können Sie die folgenden Betriebsarten wählen.



- **BIS AUF WEITERES PARKEN.** Der Mähroboter bleibt in der Ladestation, bis Sie eine andere Betriebsart durch Drücken der **START**-Taste wählen.
- **STARTET IN 3 STUNDEN WIEDER.** Der Mähroboter bleibt für drei Stunden in der Ladestation und wechselt dann automatisch zum Normalbetrieb zurück. Diese Betriebsart ist geeignet für ein Pausieren des Betriebs, z. B. wegen zwischenzeitlicher Bewässerung oder Freizeitbeschäftigungen auf dem Rasen.
- **STARTET MIT NÄCHSTER TIMEREINSTELLUNG.** Der Mähroboter bleibt in der Ladestation, bis die nächste Timer-Einstellung den Betrieb zulässt. Diese Betriebsart ist geeignet, wenn ein laufender Mähzyklus abgebrochen werden soll. Der Mähroboter bleibt bis zum nächsten Tag in der Ladestation. Diese Option wird nicht angezeigt, wenn keine Timereinstellungen vorgenommen wurden.

15.4 Konnektivität

Über die mobile App Automower Connect kann eine Verbindung zum Mähroboter hergestellt werden. Automower Connect ist für Smartphone und Tablet verfügbar (Apple oder Android). Bei aktiviertem Automower Connect werden auf dem Bildschirm des Mähroboters neue Symbole angezeigt. Weitere Informationen finden Sie unter *Vollständige Bedienungsanleitung auf Seite 25*.

15.4.1 Automower Connect

Automower Connect ist im Lieferumfang von Automower 315X/430X/450X enthalten und als Zubehör für Automower 310/315/420/440 erhältlich.

Über Automower Connect gelangen Sie auf Ihrem Smartphone in das Menü des Mähers, um dort bequem per Fernzugriff die Einstellungen zu ändern. Mit dieser App können Sie den aktuellen Status des Mähroboters einsehen und von überall auf der Welt Befehle an den Mäher senden. Im Fall eines Diebstahls wird Alarm ausgelöst und Sie können die Position Ihres Mähers verfolgen. Automower Connect ist in einigen Ländern nicht verfügbar aufgrund abhängig von regional spezifischen zellularen Systemen. Bitte setzen Sie sich mit Ihrem Husqvarna Händler vor Ort für weitere Informationen in Verbindung.

15.4.2 Automower Connect@Home

Erhältlich für Automower 310/315/420/440.

Automower Connect@Home nutzt eine drahtlose Bluetooth® Verbindung zu Ihrem Mähroboter. Dies bedeutet, dass Sie mit dem Mähroboter so lange verbunden bleiben, wie Sie sich in Kommunikationsreichweite befinden. Ein Symbol für Bluetooth erscheint in der Anzeige des Mähroboters, wenn eine Verbindung mit Ihrem Smartphone hergestellt worden ist. Automower Connect@Home verfügt über ähnliche, jedoch nicht so umfassende Funktionen wie Automower Connect und nutzt die gleiche App.

15.4.3 Erste Schritte

Laden Sie die Automower Connect-App (gilt auch für Automower Connect@Home) über den App Store oder über GooglePlay herunter. Sobald Sie die Anwendung heruntergeladen haben, können Sie mit einer E-Mail-Adresse und einem Passwort ein Konto erstellen. Sie erhalten dann eine Bestätigungs-E-Mail an die von Ihnen angegebene E-Mail-Adresse. Befolgen Sie die Anweisungen in der E-Mail innerhalb von 24 Stunden, um Ihr Konto zu bestätigen. Wenn Sie Ihr Konto nicht innerhalb von 24 Stunden bestätigen, müssen Sie es erneut einrichten. Wenn das Benutzerkonto in der App erstellt wurde, können Sie den Mähroboter mit Ihrem Smartphone verbinden.

15.4.4 Verbinden mit Automower Connect

Wählen Sie die Funktion *Zubehör > Automower Connect > Verbindung > Neue Verbindung*. Wenn Sie von der App dazu aufgefordert werden, geben Sie den 6-stelligen Code ein, der auf dem Mähroboter angezeigt wird. Geben Sie auch den Namen des Mähers in die Anwendung ein. Automower Connect ist immer mit dem Mähroboter verbunden, so lange das Smartphone Kontakt zum Mobilfunknetz hat, der Mähroboter geladen ist und der Hauptschalter auf 1 steht.

15.4.5 Verbinden mit Automower Connect@Home

Aktivieren Sie die drahtlose Bluetooth® Verbindung auf Ihrem Smartphone. Wählen Sie die Funktion *Zubehör > Connect@Home > Neue Verbindung* und folgen Sie den Anweisungen in der App. Nach der Kopplung des Mähroboters mit dem Smartphone verbinden diese sich jedes Mal automatisch, sobald Sie sich in Reichweite

befinden (Automower Connect@Home). Wenn Sie ohne Konto eine Verbindung zum Mähroboter herstellen möchten, können Sie Automower Connect@Home durch Auswahl von Remote HMI auf dem Startbildschirm in der App verwenden.

15.5 Einstellen der Schnitthöhe

Ist das Gras lang, lassen Sie den Mähroboter mit der maximalen Schnitthöhe beginnen. Wenn das Gras kürzer geworden ist, kann die Schnitthöhe allmählich gesenkt werden.

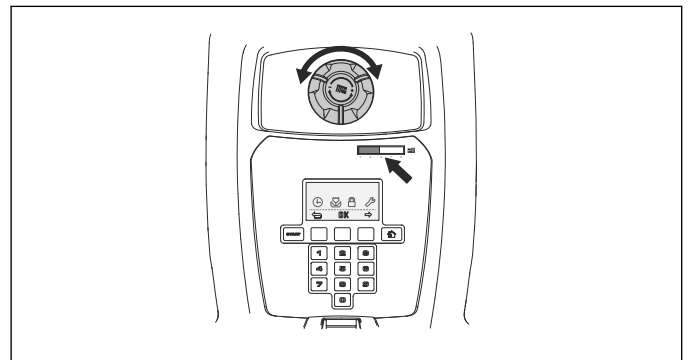


ACHTUNG: In der ersten Woche nach einer Neuinstallation muss die Schnitthöhe auf MAX eingestellt werden, damit das Schleifenkabel nicht beschädigt wird. Danach kann die Schnitthöhe schrittweise jede Woche gesenkt werden, bis die gewünschte Schnitthöhe erreicht ist.

15.5.1 Automower 105

Die Schnitthöhe kann zwischen MIN (2) und MAX (5) eingestellt werden. Einstellen der Schnitthöhe:

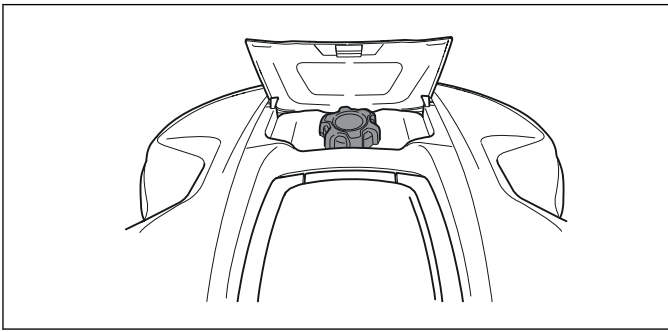
1. Drücken Sie die **STOP**-Taste, um den Mähroboter anzuhalten und die Abdeckung zu öffnen.
2. Drehen Sie den Schnitthöhenverstellungsknopf an die entsprechende Position. Die ausgewählte Position lässt sich am orangefarbenen Balken an der Höheneinstellungsanzeige ablesen.



15.5.2 Automower 310/315/315X

Die Schnitthöhe kann zwischen MIN (2) und MAX (6) in 9 Stufen eingestellt werden.

1. Drücken Sie die **STOP**-Taste, um den Mähroboter anzuhalten und die Abdeckung für die Schnitthöheneinstellung zu öffnen.
2. Drehen Sie den Knopf an die entsprechende Position. Drehen Sie ihn im Uhrzeigersinn, um die Schnitthöhe zu vergrößern, oder gegen den Uhrzeigersinn, um sie zu verringern. Der Pfeil wird mit der ausgewählten Position ausgerichtet, die auf dem Gehäuse markiert ist.
3. Schließen Sie die Abdeckung.



15.5.3 Automower 420/430X/440/450X

Die Schnitthöhe kann zwischen MIN und MAX in 9 Stufen eingestellt werden.

1. Drücken Sie die **STOP**-Taste, um den Mähroboter anzuhalten und die Abdeckung zu öffnen.
2. Drücken Sie die **MENÜ**-Taste, um das Hauptmenü aufzurufen.
3. Bewegen Sie den Cursor mit den Pfeiltasten nach oben/unten, um *Schnitthöhe* auszuwählen.
4. Drücken Sie **OK**.

16 Wartung

16.1 Reinigung

Es ist wichtig, dass Sie den Mähroboter stets sauber halten. Ein mit vielen Grasresten verschmutzter Mähroboter hat Schwierigkeiten, Neigungen hinaufzufahren, seine Leistung verschlechtert sich und der Verschleiß nimmt zu. Zur Gewährleistung einer besseren Betriebszuverlässigkeit und einer längeren Lebensdauer: Überprüfen und reinigen Sie den Mähroboter regelmäßig und tauschen Sie ggf. Verschleißteile aus. Es wird empfohlen, ihn mit einer weichen Bürste zu reinigen.

Um das Risiko der Beschädigung von Komponenten im Mähroboter zu verringern, empfehlen wir, bei Gewittergefahr alle Verbindungen zur Ladestation (Stromversorgung, Begrenzungskabel und Suchkabel) zu trennen.



WARNUNG: Wenn der Mähroboter umgedreht wird, muss sich der Hauptschalter immer in der Position 0 befinden.

Der Hauptschalter muss sich während aller Arbeiten am Chassis des Mähroboters, wie Reinigung oder Austauschen der Klingen in der Position 0 befinden.



ACHTUNG: Reinigen Sie den Mähroboter weder mit einem Hochdruckreiniger noch unter fließendem Wasser. Keine Lösungsmittel zum Reinigen benutzen.

16.2 Batterie

Die Batterie ist wartungsfrei. Die Lebensdauer ist dennoch auf 2 bis 4 Jahre beschränkt.

Die Lebensdauer der Batterie hängt von der Länge der Saison und von der Stundenzahl ab, die der Mähroboter in Betrieb ist. Eine lange Saison oder eine große Zahl Betriebsstunden pro Tag führen dazu, dass die Batterie häufiger ausgetauscht werden muss.



WARNUNG: Laden Sie den Mähroboter nur mit einer Ladestation, die dafür vorgesehen ist. Eine inkorrekte Verwendung kann zu elektrischen Schlägen, Überhitzung oder Austreten von ätzender Flüssigkeit aus der Batterie führen. Spülen Sie den Bereich im Falle eines Austretens von Elektrolyt mit Wasser. Suchen Sie bei Kontakt mit den Augen o.ä. umgehend einen Arzt auf.



WARNUNG: Verwenden Sie nur vom Hersteller empfohlene Originalakkus. Bei der Verwendung von anderen Akkus kann die Produktsicherheit nicht gewährleistet werden. Verwenden Sie keine nicht aufladbaren Akkus.



ACHTUNG: Die Batterie muss am Ende der Saison vor der Winterlagerung vollständig aufgeladen werden. Wird die Batterie nicht vollständig geladen, kann sie beschädigt werden, was in bestimmten Fällen dazu führt, dass sie unbrauchbar wird.

Wenn die Betriebszeiten des Mähroboters zwischen den einzelnen Aufladungen kürzer als üblich werden, ist dies ein Anzeichen dafür, dass die Batterie das Ende ihrer Lebensdauer erreicht und ggf. ausgetauscht werden sollte. Die Batterie braucht solange nicht ausgetauscht zu werden, wie der Mähroboter den Rasen noch gut schneiden kann.

Wenden Sie sich bezüglich des Austauschs der Batterie an Ihren Husqvarna Händler vor Ort.

16.3 Austausch der Messer



WARNUNG: Verwenden Sie grundsätzlich immer Klingen und Schrauben des richtigen Typs. Husqvarna kann nur bei der Verwendung von Originalklingen die Sicherheit garantieren. Wenn nur die Klingen ausgetauscht werden und die Schrauben weiterhin genutzt werden, kann dies zu einem Verschleiß der Schrauben beim Mähen und Schneiden führen. Die Klingen können dann aus dem Gehäuse getrieben werden und schwere Verletzungen verursachen.

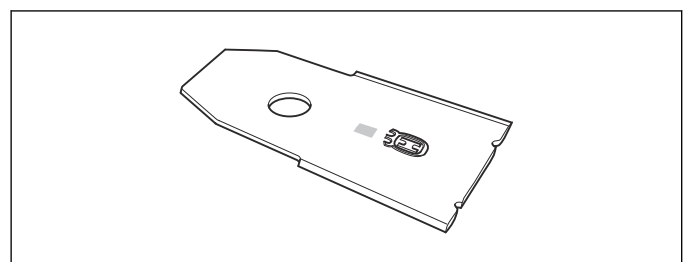


WARNUNG: Tragen Sie stets Schutzhandschuhe.

Ersetzen Sie abgenutzte oder beschädigte Teile aus Sicherheitsgründen. Selbst wenn die Klingen intakt sind, sollten sie für ein optimales Mähergebnis und geringen Energieverbrauch regelmäßig ausgetauscht werden.

Der Mähroboter verfügt über drei Klingen, die in den Messerteller eingeschraubt sind. Alle drei Klingen und Schrauben müssen bei Bedarf gleichzeitig ausgetauscht werden, damit das Schneidsystem richtig ausgewuchtet ist.

Verwenden Sie nur originale Husqvarna Klingen mit geprägtem Husqvarna Logo, siehe *Garantiebedingungen auf Seite 48*.



16.3.1 So tauschen Sie die Messer aus

1. Stellen Sie den Hauptschalter auf die Position 0.

2. Drehen Sie den Mähroboter um. Legen Sie den Mähroboter auf eine weiche, saubere Oberfläche, um so Beschädigungen des Gehäuses und der Abdeckung zu vermeiden.
3. Drehen Sie die Gleitplatte, bis deren Löcher über den Schrauben für die Messer stehen.
4. Entfernen Sie die 3 Schrauben. Benutzen Sie dazu einen Schlitz- oder Kreuzschraubendreher.
5. Entfernen Sie alle Messer und Schrauben.
6. Befestigen Sie die neuen Messer und ziehen Sie die Schrauben fest.
7. Stellen Sie sicher, dass sich die Klingen frei bewegen können.

17 Fehlersuche

17.1 Fehlersuche

Bei Betriebsstörungen wird eine Fehlermeldung im Display eingeblendet. Genauere Informationen zur Wartung finden Sie in der vollständigen Bedienungsanleitung auf der Husqvarna Website (www.husqvarna.com). Wenn dieselbe Mitteilung häufiger angezeigt wird und Sie die Fehlerursache dennoch nicht finden, nehmen Sie Kontakt mit Ihrem Händler auf.

Brüche im Schleifenkabel rühren normalerweise von unbeabsichtigten Beschädigungen des Kabels, z. B. beim Graben mit einer Schaufel, her. Auch das starke Spannen des Kabels bei der Installation kann zu Brüchen führen. Ein Kabelbruch kann leichter gefunden werden, wenn man die Länge der Schleife in dem Bereich, in dem der Bruch vermutet wird, immer weiter halbiert, bis nur noch ein kleiner Kabelabschnitt übrig ist. Siehe vollständige Bedienungsanleitung auf der Husqvarna Website (www.husqvarna.com).

17.1.1 Anzeigelampe an der Ladestation

Leuchtet die Anzeigelampe an der Ladestation dauerhaft oder blinkt grün, weist dies auf eine vollständige und betriebsfähige Installation hin. Sollte die Lampe nicht dauerhaft grün leuchten, die Fehlersuche zu Rate ziehen.

Weitere Hilfestellungen finden Sie auf www.husqvarna.com. Sollten Sie trotz allem Hilfe benötigen, setzen Sie sich mit Ihrem Husqvarna Händler vor Ort in Verbindung.

Lampe	Ursache	Maßnahme
<i>Lampe leuchtet dauerhaft grün</i>	Gutes Signal	Es sind keine Maßnahmen erforderlich.
<i>Lampe blinkt grün</i>	Das Signal ist gut, und der <i>ECO-Modus</i> ist aktiviert.	Es sind keine Maßnahmen erforderlich. Weitere Informationen zum <i>ECO-Modus</i> finden Sie unter <i>Vollständige Bedienungsanleitung auf Seite 25</i> .
<i>Lampe blinkt blau</i>	Das Begrenzungskabel ist nicht an die Ladestation angeschlossen.	Prüfen, ob die Verbinder des Begrenzungskabels richtig an der Ladestation befestigt sind. Siehe <i>Vollständige Bedienungsanleitung auf Seite 25</i> .
	Unterbrechung des Begrenzungskabels.	Unterbrochene Stelle finden. Beschädigten Schleifenkabelabschnitt durch ein neues Schleifenkabel ersetzen und mit einem Originalverbinder an das bestehende Kabel anschließen.
<i>Lampe blinkt rot</i>	Signal der Ladestationsantenne unterbrochen.	Setzen Sie sich mit Ihrem Husqvarna Händler vor Ort in Verbindung.
<i>Lampe leuchtet dauerhaft rot</i>	Fehler in der Leiterplatte oder falsches Netzteil in der Ladestation. Der Fehler sollte von einem autorisierten Servicetechniker behoben werden.	Setzen Sie sich mit Ihrem Husqvarna Händler vor Ort in Verbindung.

18 Transport, Lagerung und Entsorgung

18.1 Transport

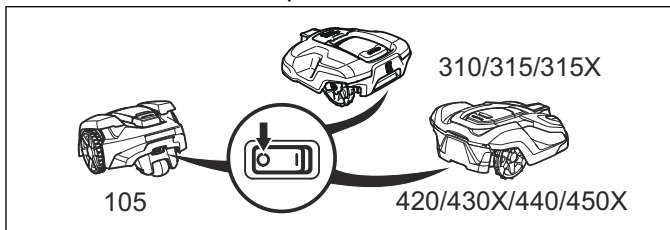
Die enthaltenen Lithium-Ionen-Batterien unterliegen den gesetzlichen Bestimmungen zu gefährlichen Gütern. Für gewerbliche Transporte, z. B. durch Dritte oder Spediteure, müssen besondere Anforderungen bei Verpackung und Kennzeichnung eingehalten werden. Für die Vorbereitung zum Versand des Produkts muss ein Sachverständiger für gefährliche Materialien hinzugezogen werden. Bitte beachten Sie auch eventuell genauere, nationale Vorschriften.

Kleben Sie offene Kontakte ab und verpacken Sie die Batterie so, dass sie nicht in der Verpackung herum rutschen kann. Sichern Sie das Gerät bei jedem Transport.

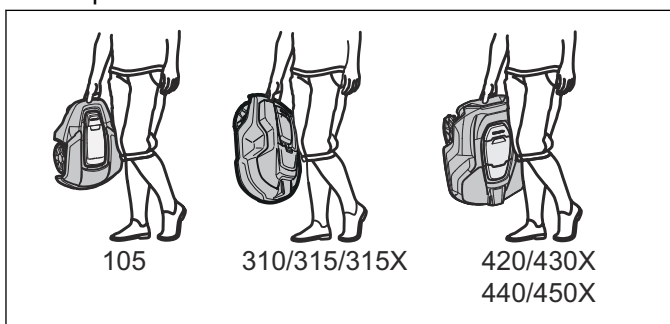
18.1.1 Anheben und Bewegen des Mähroboters

Um ihn innerhalb des Arbeitsbereichs sicher zu bewegen oder ihn daraus zu entfernen, gilt Folgendes:

1. Drücken Sie die **STOP**-Taste, um den Mähroboter anzuhalten. Wenn eine mittlere oder hohe Sicherheitsstufe eingestellt wurde (siehe *Vollständige Bedienungsanleitung auf Seite 25*), muss der PIN-Code eingegeben werden. Der PIN-Code besteht aus vier Ziffern und wird beim ersten Starten des Mähroboters festgelegt. Siehe *Vollständige Bedienungsanleitung auf Seite 25*.
2. Stellen Sie den Hauptschalter auf Position 0.



3. Halten Sie dabei den Mähroboter am Griff an der Unterseite stets so, dass der Messerteller von Ihrem Körper entfernt ist.



ACHTUNG: Heben Sie den Mähroboter nicht an, wenn er sich in der Ladestation befindet. Dadurch können die Ladestation und/oder der Mähroboter beschädigt werden. Drücken Sie **STOP**, und ziehen Sie den Mähroboter aus der Ladestation; danach können Sie den Rasenmäher anheben.

18.2 Lagerung im Winter

18.2.1 Mähroboter

Der Mähroboter ist vor der Aufbewahrung für den Winter sorgfältig zu reinigen. Siehe *Reinigung auf Seite 40*.

Um die Funktion und die Lebensdauer der Batterie zu gewährleisten, ist es wichtig, den Mähroboter vor der Lagerung über den Winter aufzuladen. Platzieren Sie den Mähroboter mit geöffneter Abdeckung in der Ladestation bis das Batterie-Symbol auf dem Display anzeigt, dass die Batterie vollständig geladen ist. Stellen Sie den Hauptschalter auf 0.

Überprüfen Sie den Zustand von Verschleißteilen wie Klingen und Lager in den Hinterrädern. Nehmen Sie die nötigen Schritte vor, damit der Mähroboter für die nächste Saison in gutem Zustand ist.

Bewahren Sie den Mähroboter auf den Rädern stehend in einer trockenen, frostfreien Umgebung auf, möglichst in der Originalverpackung. Sie können den Mähroboter ebenfalls an einer Wandhalterung von Husqvarna hängend lagern. Wenden Sie sich an Ihren Husqvarna Händler vor Ort für weitere Informationen zu verfügbaren Wandhalterungen.



ACHTUNG: Die Batterie muss am Ende der Saison vor der Winterlagerung vollständig aufgeladen werden. Wird die Batterie nicht vollständig geladen, kann sie beschädigt werden, was in bestimmten Fällen dazu führt, dass sie unbrauchbar wird.

18.2.2 Die Ladestation

Lagern Sie die Ladestation und das Netzkabel am besten im Haus. Das Begrenzungskabel und das Suchkabel können im Boden verbleiben.

1. Trennen Sie die Stromversorgung der Ladestation.
2. Lösen Sie die Verriegelung des Anschlusses und ziehen Sie den Stecker heraus.
3. Trennen Sie die Begrenzungs- und Suchkabelkontakte von der Ladestation.

Die Enden der Kabel sollten gegen Feuchtigkeit geschützt werden, z. B. indem Sie sie in eine Dose mit Fett stecken.

Ist die Lagerung der Ladestation im Haus nicht möglich, muss sie während des gesamten Winters am Stromnetz und an den Begrenzungs- und Suchkabeln angeschlossen sein.

18.3 Umweltinformationen



Das Symbol auf dem Husqvarna Mähroboter weist darauf hin, dass dieses Produkt nicht über den Hausmüll entsorgt werden darf. Übergeben Sie es zur Entsorgung stattdessen an eine entsprechende Recyclinganlage für elektrische und elektronische Geräte. Die Batterie muss entfernt werden, bevor das Produkt entsorgt wird.

Zum Ausbauen der Batterie siehe vollständige Bedienungsanleitung auf der Husqvarna Website.

Dadurch, dass Sie sicherstellen, dass Sie mit diesem Produkt sorgfältig umgehen, können Sie helfen, den potentiellen negativen Auswirkungen auf die Umwelt und Ihre Mitmenschen entgegenzuwirken, die sich andernfalls durch eine unsachgemäße Entsorgung dieses Produkts ergeben können.

Genauere Informationen über die ordnungsgemäße Entsorgung dieses Produkts erhalten Sie bei Ihrer Stadtverwaltung, Ihrem Abfallentsorgungsunternehmen oder dem Geschäft, in dem Sie Ihr Produkt gekauft haben.

19 Technische Daten

19.1 Automower 105/310/315/315X

Abmessungen	Automower 105	Automower 310	Automower 315	Automower 315X
Länge, cm	55	63	63	63
Breite, cm	39	51	51	51
Höhe, cm	25	25	25	25
Gewicht, kg	6,9	9,2	9,2	10,1

Elektrisches System	Automower 105	Automower 310	Automower 315	Automower 315X
Batterie, Lithium-Ionen 18 V/2,1 Ah Art.-Nr.	586 57 62-01, 586 57 62-02	584 85 28-01, 584 85 28-02	584 85 28-01, 584 85 28-02	584 85 28-01, 584 85 28-02
Netzteil, V/28 V DC	100-240	100-240	100-240	100-240
Länge des Niederspannungskabels in m	10	10	10	10
Geringster Energieverbrauch bei maximalem Einsatz	5 kWh/Monat in einem 600 m ² Arbeitsbereich	8 kWh/Monat in einem 1000 m ² Arbeitsbereich	10 kWh/Monat in einem 1500 m ² Arbeitsbereich	10 kWh/Monat in einem 1600 m ² Arbeitsbereich
Ladestrom, A DC	1.3	1.3	1.3	1.3
Durchschnittliche Mähzeit in min	65	70	70	70
Durchschnittliche Ladezeit in min	50	60	60	60

Begrenzungskabelantenne	Automower 105	Automower 310	Automower 315	Automower 315X
Betriebsfrequenzband, Hz	300-80000	300-80000	300-80000	300-80000
Maximale Funkfrequenz-Versorgung, mW bei 60 m ²³	< 25	< 25	< 25	< 25

Geräuschemission als Schalleistung gemessen ²⁴	Automower 105	Automower 310	Automower 315	Automower 315X
Gemessener Schalleistungspegel, dB (A)	58	58	58	58
Geräuschemission-Unsicherheiten K _{WA} , dB (A)	3	2	2	2
Garantierter Schalleistungspegel *)	61	60	60	60
Schalldruck-Geräuschpegel am Ohr des Benutzers, dB (A) ²⁵	47	47	47	47

²³ Maximale Ausgangsleistung zu den Antennen im Betriebsfrequenzbereich.

²⁴ Die Geräuschemissionserklärung entspricht der Norm EN 50636-2-107:2015. Umweltbelastende Geräuschemissionen, gemessen als Schalleistung (L_{WA}) gemäß EG-Richtlinie 2000/14/EG. Der garantierte Schalleistungspegel beinhaltet Abweichungen bei der Produktion sowie Abweichungen vom Prüfcode mit 1 – 3 dB(A).

²⁵ Unsicherheiten bei Schalldruck K_{pA}, 2-4 dB (A)

Mähen	Automower 105	Automower 310	Automower 315	Automower 315X
Schneidsystem	3 rotierende Trennscheiben			
Geschwindigkeit Messermotor, U/min	2900	2300	2300	2300
Stromverbrauch beim Schneiden, W +/- 20 %	20	25	25	25
Schnitthöhe, cm	2-5	2-6	2-6	2-6
Schnittbreite, cm	17	22	22	22
Kleinste Breite, cm	60	60	60	60
Maximaler Winkel für Schnittbereich in %	25	40	40	40
Maximaler Winkel für Begrenzungskabel in %	15	15	15	15
Maximale Länge des Begrenzungskabels in m	400	800	800	800
Maximale Länge des Suchkabels in m	200	400	400	400
Arbeitskapazität, m ² +/- 20 %	600	1000	1500	1.600

IP-Klassifizierung	Automower 105	Automower 310	Automower 315	Automower 315X
Mähroboter	IPX4	IPX4	IPX4	IPX4
Ladestation	IPX1	IPX1	IPX1	IPX1
Stromversorgung	IPX4	IPX4	IPX4	IPX4

Husqvarna AB übernimmt keine Garantie für die vollständige Kompatibilität zwischen dem Mähroboter und anderen kabellosen Systemen wie Fernbedienungen, Sendern, im Boden verlegten elektrischen Umzäunungen von Viehweiden o. Ä.

19.2 Automower 420/430X/440/450X

Abmessungen	Automower 420	Automower 430X	Automower 440	Automower 450X
Länge, cm	72	72	72	72
Breite, cm	56	56	56	56
Höhe, cm	31	31	31	31
Gewicht, kg	11,5	13,2	12.0	13.9

Elektrisches System	Automower 420	Automower 430X	Automower 440	Automower 450X
Batterie, Lithium-Ionen 18 V/2,1 Ah Art.-Nr.	580 68 33-01, 580 68 33-02	588 14 64-01	588 14 64-01 (2 St.)	588 14 64-01 (2 St.)
Netzteil, V/28 V DC	100-240	100-240	100-240	100-240
Länge des Niederspannungskabels in m	10	10	10	10
Geringster Energieverbrauch bei maximalem Einsatz	17 kWh/Monat in einem 2200 m ² Ar- beitsbereich	18 kWh/Monat in einem 3200 m ² Ar- beitsbereich	20 kWh/Monat in einem 4000 m ² Ar- beitsbereich	23 kWh/Monat in einem 5000 m ² Ar- beitsbereich
Ladestrom, A DC	2.2	4.2	7	7
Durchschnittliche Mähzeit in min	75	145	290	270
Durchschnittliche Ladezeit in min	50	50	60	60

Begrenzungskabelantenne	Automower 420	Automower 430X	Automower 440	Automower 450X
Betriebsfrequenzband, Hz	300-80000	300-80000	300-80000	300-80000
Maximale Funkfrequenz-Versorgung, mW bei 60 m ²⁶	< 25	< 25	< 25	< 25

Geräuschemission als Schalleistung gemessen ²⁷	Automower 420	Automower 430X	Automower 440	Automower 450X
Gemessener Schalleistungspegel, dB (A)	57	57	56	58
Geräuschemission-Unsicherheiten K _{WA} , dB (A)	1	1	1	1
Garantierter Schalleistungspegel *)	58	58	56	59
Schalldruck-Geräuschpegel am Ohr des Benutzers, dB (A) ²⁸	46	46	45	47

Mähen	Automower 420	Automower 430X	Automower 440	Automower 450X
Schneidsystem	3 rotierende Trennscheiben			
Geschwindigkeit Messermotor, U/min	2300	2300	2300	2300
Stromverbrauch beim Schneiden, W +/- 20 %	30	30	30	35
Schnitthöhe, cm	2-6	2-6	2-6	2-6
Schnittbreite, cm	24	24	24	24
Kleinste Breite, cm	60	60	60	60
Maximaler Winkel für Schnittbereich in %	45	45	45	45
Maximaler Winkel für Begrenzungskabel in %	15	15	15	15
Maximale Länge des Begrenzungskabels in m	800	800	800	800
Maximale Länge des Suchkabels in m	400	400	400	400
Arbeitskapazität, m ² +/- 20 %	2200	3200	4000	5000

IP-Klassifizierung	Automower 420	Automower 430X	Automower 440	Automower 450X
Mähroboter	IPX4	IPX4	IPX4	IPX4
Ladestation	IPX1	IPX1	IPX1	IPX1
Stromversorgung	IPX4	IPX4	IPX4	IPX4

Husqvarna AB übernimmt keine Garantie für die vollständige Kompatibilität zwischen dem Mähroboter und anderen kabellosen Systemen wie Fernbedienungen, Sendern, im Boden verlegten elektrischen Umzäunungen von Viehweiden o. Ä.

²⁶ Maximale Ausgangsleistung zu den Antennen im Betriebsfrequenzbereich.

²⁷ Die Geräuschemissionserklärung entspricht der Norm EN 50636-2-107:2015. Umweltbelastende Geräuschemissionen, gemessen als Schalleistung (L_{WA}) gemäß EG-Richtlinie 2000/14/EG. Der garantierte Schalleistungspegel beinhaltet Abweichungen bei der Produktion sowie Abweichungen vom Prüfcode mit 1 – 3 dB(A).

²⁸ Unsicherheiten bei Schalldruck K_{pA}, 2-4 dB (A)

20.1 Garantiebedingungen

Husqvarna garantiert die Funktionsfähigkeit dieses Produkts für einen Zeitraum von zwei Jahren (ab dem Kaufdatum). Die Garantie umfasst gravierende Material- und Herstellungsfehler. In der Garantiezeit wird das Produkt kostenlos ersetzt bzw. repariert, wenn folgende Bedingungen erfüllt sind:

- Der Mähroboter und die Ladestation dürfen nur in Übereinstimmung mit den Anweisungen dieser Bedienungsanleitung verwendet worden sein. Diese Hersteller-Garantie berührt die gegenüber dem Händler / Verkäufer bestehenden Gewährleistungsansprüche nicht.
- Es darf vom Benutzer bzw. durch nicht berechnigte Dritte kein Versuch unternommen werden, das Gerät zu reparieren.

Nicht von der Garantie abgedeckt sind beispielsweise folgende Schäden:

- Schäden durch von unten in den Mähroboter eingedrungenes Wasser. Derartige Schäden werden normalerweise durch Reinigungs- oder Bewässerungssysteme oder durch Löcher und Vertiefungen im Arbeitsbereich, in denen sich bei Regen Wasser ansammelt, hervorgerufen.
- Schäden durch Blitzschlag.
- Schäden durch nicht ordnungsgemäße Lagerung der Batterie oder durch falschen Umgang mit der Batterie.
- Schäden aufgrund der Nichtverwendung einer Originalbatterie von Husqvarna.
- Schäden, die durch die Verwendung von Nicht-Originalersatzteilen und Zubehör von Husqvarna, wie Klingen und Installationsmaterial, entstanden sind.
- Schäden am Schleifenkabel.
- Schäden durch nicht-autorisierte Änderungen oder Eingriffe in das Gerät oder Netzteil.

Die Klingen sind Verschleißteile und fallen nicht unter den Geltungsbereich dieser Garantie.

Sollten Sie eine Störung Ihres Husqvarna Mähroboters feststellen, setzen Sie sich bitte mit Ihrem Husqvarna-Händler vor Ort in Verbindung, um weitere Informationen zur Lösung des Problems zu erhalten. Bitte halten Sie die Quittung und die Seriennummer des Mähroboters bereit, wenn Sie mit Ihrem Husqvarna Händler vor Ort Kontakt aufnehmen.

21 EG-Konformitätserklärung

21.1 EG-Konformitätserklärung

Husqvarna AB, SE-561 82 Huskvarna, Schweden, Tel.: +46-36-146500, versichert hiermit, dass die Mähroboter der Serien **Husqvarna Automower® 105**, **Husqvarna Automower® 310**, **Husqvarna Automower® 315**, **Husqvarna Automower® 315X**, **Husqvarna Automower® 420**, **Husqvarna Automower® 430X**, **Husqvarna Automower® 440** und **Husqvarna Automower® 450X** mit Seriennummern ab 2017 Woche 36 (die Jahreszahl und Woche wird im Klartext auf dem Typenschild angegeben, gefolgt von der Seriennummer) den Vorschriften folgender RICHTLINIEN DES RATES entspricht:

- „Maschinenrichtlinie“ **2006/42/EG**.
 - Besondere Anforderungen für akkubetriebene Mähroboter **EN 50636-2-107: 2015**.
 - Elektromagnetische Felder **EN 62233: 2008**.
- Richtlinie zur „Beschränkung der Verwendung bestimmter gefährlicher Stoffe“ **2011/65/EU**.
- Richtlinie „Geräuschemissionen von zur Verwendung im Freien vorgesehenen Geräten und Maschinen“ **2000/14/EG**. Im Kapitel *Technische Daten auf Seite 45* finden Sie ebenfalls Informationen zu Geräuschemissionen und Schnittbreite.

Husqvarna Automower® 105 (Zertifikat 01/901/176): Die gemeldete Stelle 0404, SMP Svensk Maskinprovning AB, Fyrisborgsgatan 3, SE-754 50 Uppsala, Sweden hat einen Bericht zur Beurteilung der Übereinstimmung gemäß Anlage VI zur RICHTLINIE DES RATES vom 8. Mai 2000 „über umweltbelastende Geräuschemissionen“ 2000/14/EG veröffentlicht.

Husqvarna Automower® 310/315 (Zertifikat 01/901/225), **Husqvarna Automower® 315X** (Zertifikat 01/901/286) und **Husqvarna Automower® 420/430X/440/450X** (Zertifikat 01/901/201): Die gemeldete Stelle 0404, SMP Svensk Maskinprovning AB, Box 7035, SE-750 07 Uppsala, Sweden hat einen Bericht zur Beurteilung der Übereinstimmung gemäß Anlage VI zur RICHTLINIE DES RATES vom 8. Mai 2000 „über umweltbelastende Geräuschemissionen“ 2000/14/EG veröffentlicht.

- Richtlinie „über Funkanlagen“ **2014/53/EU**. Die folgenden Normen werden erfüllt:
 - **Endgültiger Entwurf 303 447 V1.1.1 (2017-06)**

Elektromagnetische Verträglichkeit:

- **ETSI EN 301 489-1 V2.2.0**

Für **Husqvarna Automower® 310**, **Husqvarna Automower® 315**, **Husqvarna Automower® 315X**, **Husqvarna Automower® 420**, **Husqvarna Automower® 430X**, **Husqvarna Automower® 440** und **Husqvarna Automower® 450X**, die mit dem

Automower® Connect Modul ausgestattet sind, gelten zudem:

- **EN 301 489-52 V1.1.1**
- **EN 301 511 V9.0.2** (Funkspektrumseffizienz)

Für **Husqvarna Automower® 310**, **Husqvarna Automower® 315**, **Husqvarna Automower® 420** und **Husqvarna Automower® 440** ebenfalls:

- **EN 300 328 Entwurf V2.1.1**



Husqvarna 2017-09-01

Lars Roos

Global R&D Director, Electric category

(Bevollmächtigter Vertreter für Husqvarna AB, verantwortlich für die technische Dokumentation)

Sommaire

23 Introduction

23.1 Mémo.....	51
23.2 Description du produit.....	51
23.3 Capacité.....	51
23.4 Technique de tonte.....	51
23.5 Méthode de travail.....	51
23.6 Trajectoire de déplacement.....	52
23.7 Retour à la station de charge.....	52
23.8 Présentation du produit Automower 105.....	53
23.9 Présentation du produit Automower 310/315/315X.....	54
23.10 Présentation du produit Automower 420/430X/440/450X.....	55
23.11 Symboles concernant le produit.....	56

24 Sécurité

24.1 Instructions générales de sécurité.....	57
24.2 Utilisation.....	57

25 Installation

25.1 Connexion de l'alimentation électrique.....	59
25.2 Panneau de commande.....	59
25.3 Écran d'affichage Automower 105.....	59
25.4 Clavier Automower 105.....	60
25.5 Écran d'affichage Automower 310/315/315X/ 420/430X/440/450X.....	60
25.6 Clavier Automower 310/315/315X/420/430X/ 440/450X.....	60
25.7 Structure du menu.....	61
25.8 Sous-menus.....	61
25.9 Naviguer entre les menus.....	61
25.10 Menu principal.....	61

26 Utilisation

26.1 Sélection du mode de fonctionnement Automower 105.....	63
26.2 Sélection du mode de fonctionnement via Start Automower 310/315/315X/420/430X/ 440/450X.....	63
26.3 Sélection du mode de fonctionnement Park Automower 310/315/315X/420/430X/440/450X.....	63
26.4 Connectivité.....	63
26.5 Réglage de la hauteur de coupe.....	64

27 Entretien

27.1 Nettoyage.....	66
27.2 Batterie.....	66
27.3 Remplacement des lames.....	66

28 Dépannage

28.1 Dépannage.....	68
---------------------	----

29 Transport, entreposage et mise au rebut

29.1 Transport.....	69
29.2 Remisage hivernal.....	69
29.3 Informations environnementales.....	69

30 Caractéristiques techniques

30.1 Automower 105/310/315/315X.....	71
30.2 Automower 420/430X/440/450X.....	72

31 Garantie

31.1 Conditions de garantie.....	74
----------------------------------	----

32 Déclaration de conformité CE

32.1 Déclaration de conformité CE.....	75
--	----

23 Introduction

23.1 Mémo

Numéro de série :	
Code PIN :	
Revendeur :	
Numéro de téléphone du revendeur :	

En cas de vol de votre robot tondeuse, il est important d'en informer Husqvarna. Contactez votre représentant Husqvarna local et fournissez-lui le numéro de série du robot tondeuse afin qu'il soit enregistré comme produit volé dans la base de données internationale. Il s'agit d'une étape importante de la procédure de protection contre le vol permettant de réduire l'intérêt à acheter et à vendre des robots tondeuses volés.

Le numéro de série du produit comporte neuf chiffres et il est indiqué sur sa plaque signalétique (située à l'intérieur du capot) et sur son emballage.

www.husqvarna.com

23.2 Description du produit

Félicitations pour le produit d'une qualité exceptionnelle que vous avez sélectionné. Pour tirer le meilleur parti de votre robot tondeuse Husqvarna, vous devez en connaître le fonctionnement. Ce manuel d'utilisation contient un bref aperçu des informations importantes relatives au robot de tonte. En complément de ce manuel d'utilisation, vous trouverez des vidéos d'information avec les instructions disponibles sur le site Web de Husqvarna, www.husqvarna.com.

N'oubliez pas que l'opérateur est responsable des accidents ou mises en danger concernant des tiers et leurs biens.

Husqvarna travaille continuellement au développement de ses produits et se réserve le droit d'en modifier, entre autres, la conception, l'aspect et le fonctionnement sans préavis.

23.2.1 Manuel d'utilisation complet

Un manuel d'utilisation complet est disponible sur le site Web www.husqvarna.com d'Husqvarna. Il est plus détaillé et contient davantage d'informations, par exemple les instructions relatives à l'installation, l'entretien, le dépannage et la structure du menu.

23.3 Capacité

Le robot de tonte est recommandé pour les pelouses jusqu'à :

- 600 m² : Automower 105
- 1 000 m² : Automower 310
- 1 500 m² : Automower 315
- 1 600 m² : Automower 315X
- 2 200 m² : Automower 420
- 3 200 m² : Automower 430X
- 4 000 m² : Automower 440
- 5 000 m² : Automower 450X

La taille de la zone de couverture du robot de tonte dépend principalement de l'état des lames et du type, de la taille et de l'humidité de l'herbe. La forme du jardin joue également un rôle important. Le robot de tonte

présentera un meilleur rendement dans un jardin essentiellement constitué de grandes pelouses ouvertes que dans un jardin divisé en plusieurs petites pelouses séparées par des arbres, des massifs de fleurs et des chemins.

Un robot de tonte complètement chargé tond pendant 60 à 290 minutes, en fonction du modèle, de l'âge de la batterie et de l'épaisseur de l'herbe. Le robot de tonte se charge ensuite pendant 50 à 90 minutes. Le temps de charge peut varier, entre autres, en fonction de la température ambiante.

23.4 Technique de tonte

Le système du robot tondeuse repose sur un principe efficace à faible consommation d'énergie. Contrairement à de nombreuses tondeuses classiques, le robot tondeuse coupe l'herbe en douceur. Cette technique de coupe fréquente améliore la qualité de l'herbe. L'herbe coupée n'a pas à être ramassée et les parcelles d'herbe coupée nécessitent moins d'engrais. De plus, il n'émet aucune émission, il est pratique et votre pelouse semble toujours bien entretenue.

Pour un résultat de tonte optimal, il est recommandé d'utiliser principalement le robot tondeuse par temps sec. Le robot tondeuse convient également pour une tonte par temps de pluie. Toutefois, l'herbe humide adhère plus facilement au robot, ce qui induit un risque accru de dérapage dans les pentes raides.

Pour un résultat de tonte optimal, les lames doivent être en bon état. Pour qu'elles restent aiguisées aussi longtemps que possible, il est important de débarrasser la pelouse des branches, des petites pierres et de tout autre objet.

Remplacez les lames régulièrement. Pour de plus amples informations sur le remplacement des lames, reportez-vous au manuel d'utilisation complet sur le site Web d'Husqvarna (www.husqvarna.com).

23.5 Méthode de travail

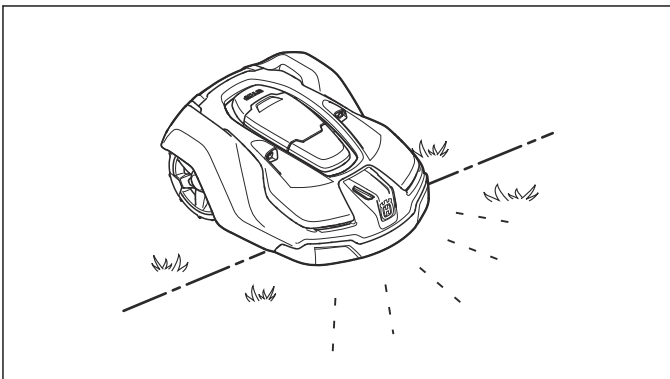
Réalisez une installation correcte et sécurisée du câble périphérique et du câble guide. Pour de plus amples

informations sur l'installation, consultez le Manuel d'utilisation complet sur le site Web d'Husqvarna.

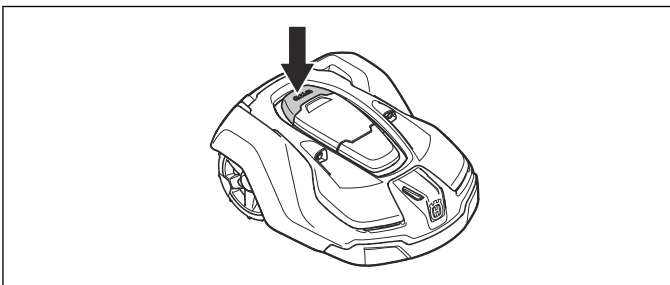
Le robot tondeuse tond automatiquement la pelouse. Il alterne en continu entre tonte et charge. Le robot de tonte recherche la station de charge lorsque le niveau de charge de la batterie devient trop faible. Il ne tond pas quand il cherche à rejoindre la station de charge.

Automower 315X/430X/450X utilise un système de navigation assistée par GPS pour commencer à tondre dans un endroit du jardin qui ne l'a pas été récemment. Pour les autres modèles, vous devrez peut-être régler des paramètres de sortie manuels pour vous assurer que la tonte de la pelouse sera bien homogène ; voir le manuel d'utilisation complet sur le site Web d'Husqvarna.

Quand la carrosserie du robot tondeuse rencontre un obstacle ou approche un câble périphérique, il fait marche arrière et choisit une nouvelle direction. Des capteurs à l'avant et à l'arrière détectent le moment où le robot de tonte s'approche du câble périphérique. L'avant du robot de tonte passe toujours le câble périphérique à une distance spécifique avant que le robot ne tourne. La distance peut être modifiée pour s'adapter à l'installation si nécessaire.



Le bouton **STOP** sur le dessus du robot de tonte sert principalement à arrêter le robot en cours de fonctionnement. Lorsque le bouton **STOP** est actionné, un capot s'ouvre pour laisser apparaître le panneau de commande. Le bouton **STOP** reste enfoncé tant que le capot n'est pas refermé. Ce principe associé à la présence du bouton **START** rend le démarrage alors impossible.



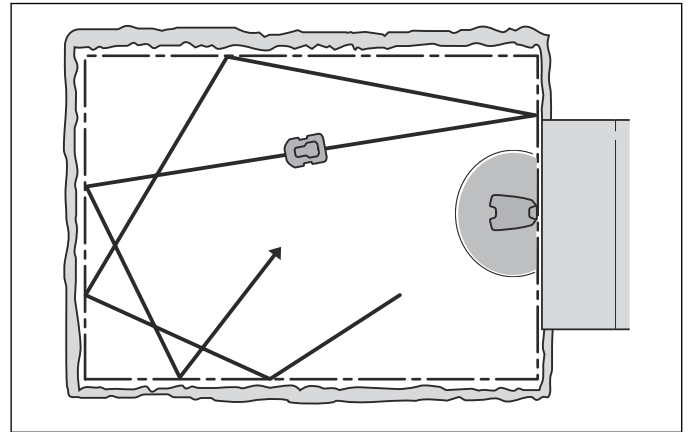
Remarque: Pour faire démarrer le robot tondeuse, appuyez toujours sur le bouton **START** avant de fermer le capot. Si vous n'appuyez pas sur le bouton **START**, un signal sonore d'avertissement est émis et le robot tondeuse ne démarre pas.

Tous les paramétrages du robot de tonte s'effectuent à partir du panneau de commande placé sur le dessus de la machine.

Lorsque l'interrupteur principal est placé sur 1 pour la première fois, une séquence de démarrage commence, qui comprend un certain nombre de réglages de base importants ; voir *Premier démarrage et calibrage* du manuel d'utilisation complet sur le site Web d'Husqvarna.

23.6 Trajectoire de déplacement

La trajectoire de déplacement du robot de tonte est aléatoire, ce qui signifie qu'une trajectoire de déplacement n'est jamais répétée. Le système de coupe du robot permet une tonte uniforme de la pelouse sans lignes de tonte.

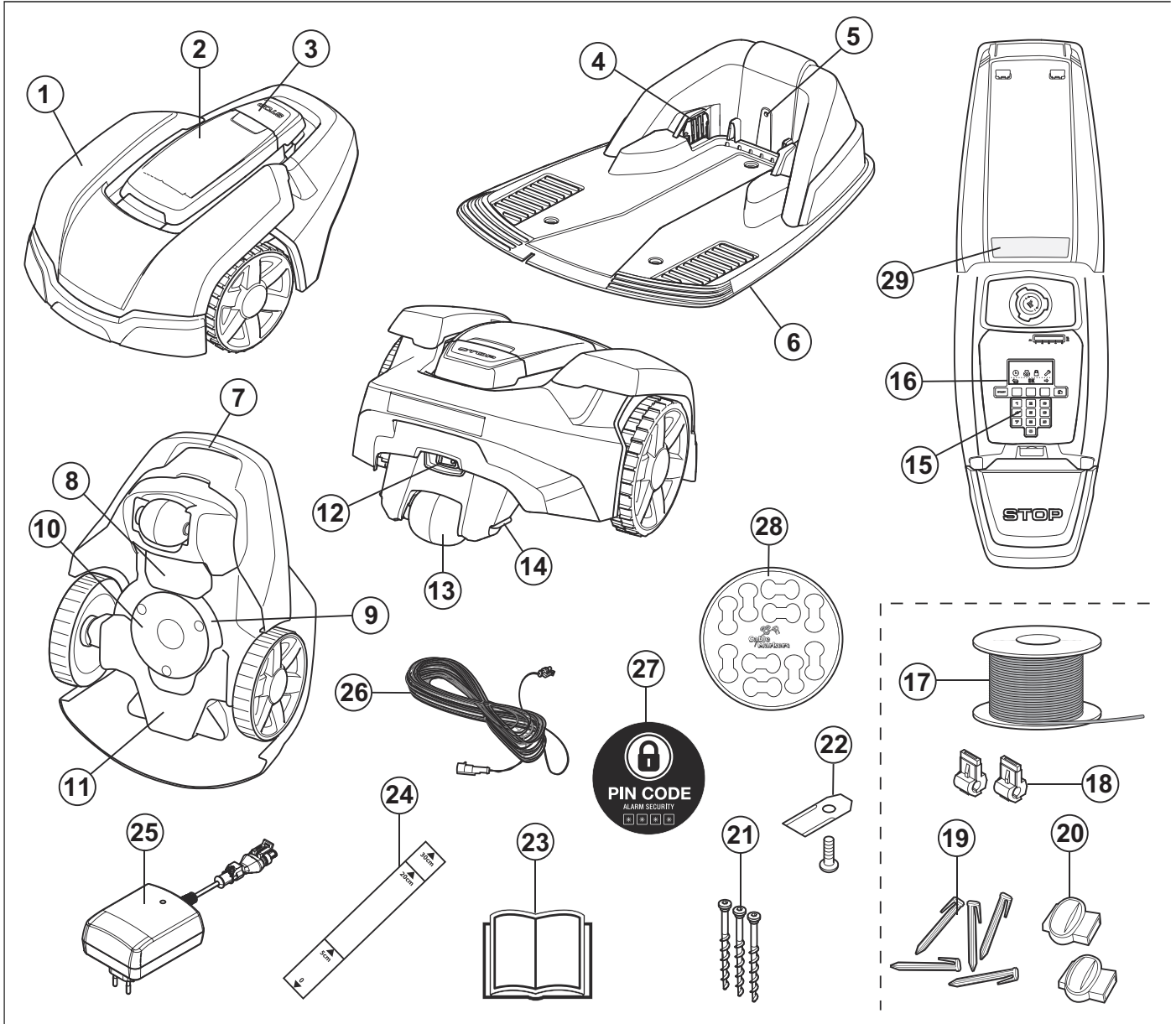


23.7 Retour à la station de charge

L'Automower 310/315/315X/420/430X/440/450X peut être réglé afin de chercher la station de charge en utilisant au moins l'une des 3 méthodes suivantes : Il combine automatiquement ces 3 méthodes de recherche afin de localiser la station de charge aussi rapidement que possible mais en évitant également autant que possible la formation de traînées.

L'Automower 105 suit toujours le câble guide jusqu'à la station de charge.

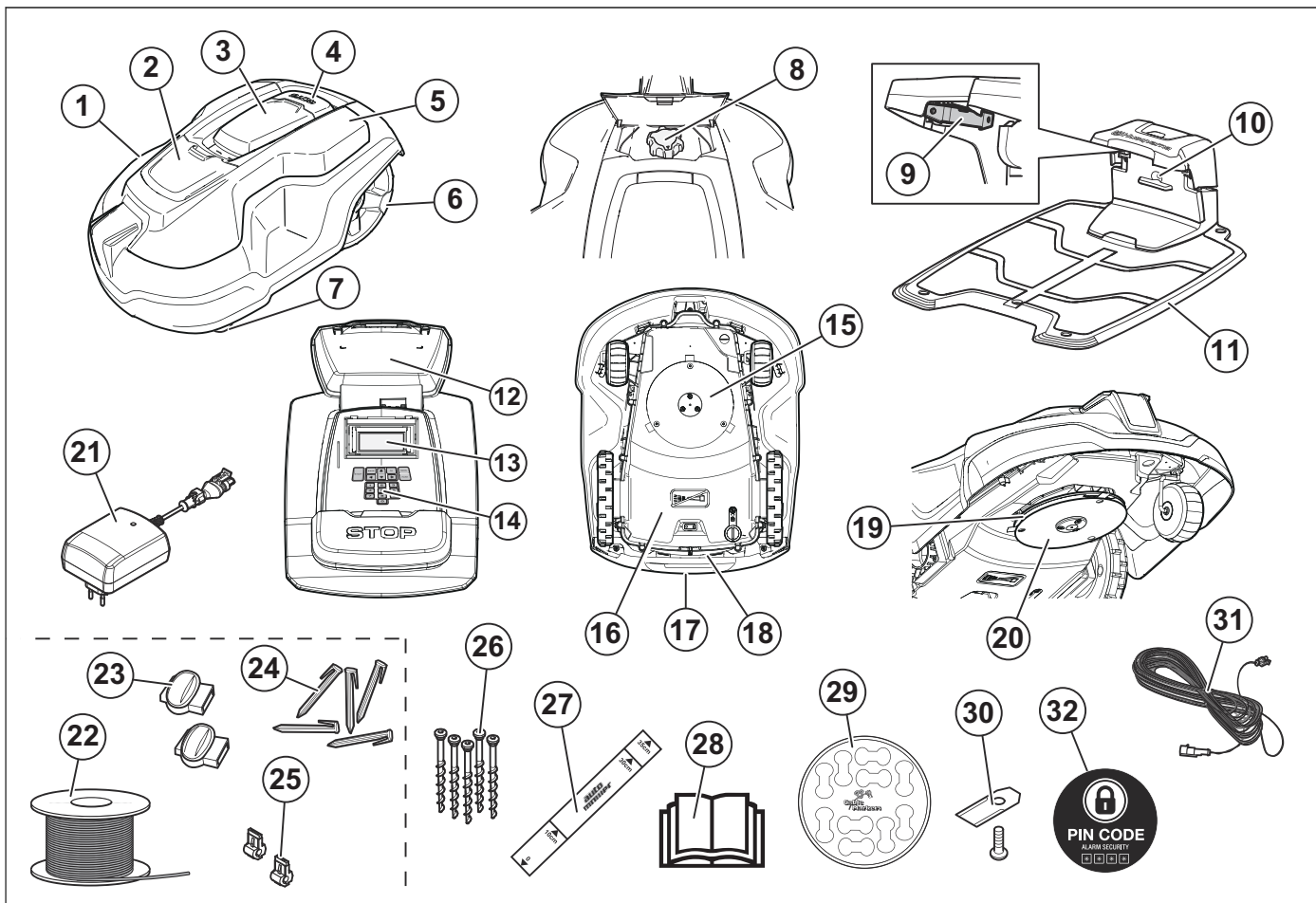
23.8 Présentation du produit Automower 105



Les numéros sur la figure représentent :

- | | |
|--|---|
| <ol style="list-style-type: none"> 1. Carrosserie 2. Capot de l'écran d'affichage, du clavier et du réglage de la hauteur de coupe 3. Bouton d'arrêt 4. Bandes de contact 5. Voyant de fonctionnement de la station de charge, du câble périphérique et du câble guide 6. Station de charge 7. Poignée de transport 8. Capot de la batterie 9. Disque de coupe 10. Plaque de protection 11. Châssis contenant l'électronique, la batterie et les moteurs 12. Interrupteur principal 13. Roue arrière 14. Contacts de charge 15. Clavier | <ol style="list-style-type: none"> 16. Écran d'affichage 17. Boucle de câble pour le câble périphérique et le câble guide 18. Connecteur permettant de connecter la boucle de câble à la station de charge 19. Cavaliers 20. Raccord de câble 21. Vis pour fixation de la station de charge 22. Lames supplémentaires 23. Manuel d'utilisation et guide d'installation rapide 24. Règle d'aide à la pose du câble périphérique (la règle est à détacher de la boîte) 25. Alimentation électrique (l'aspect de l'alimentation électrique peut varier en fonction du marché) 26. Câble basse tension 27. Autocollant Alarme 28. Marqueurs de câbles 29. Plaque d'identification |
|--|---|

23.9 Présentation du produit Automower 310/315/315X



Les numéros sur la figure représentent :

- | | |
|--|--|
| <ol style="list-style-type: none"> 1. Carrosserie 2. Capot de réglage de la hauteur de coupe 3. Capot d'accès à l'écran et au clavier 4. Bouton d'arrêt 5. Capot repositionnable 6. Roues arrière 7. Roues avant 8. Réglage de la hauteur de coupe 9. Contacts de charge station 10. Voyant de fonctionnement de la station de charge et du câble périphérique 11. Station de charge 12. Plaque d'identification 13. Écran 14. Clavier 15. Système de coupe 16. Châssis contenant l'électronique, la batterie et les moteurs | <ol style="list-style-type: none"> 17. Poignée 18. Interrupteur principal 19. Disque de coupe 20. Disque de protection 21. Alimentation électrique (l'aspect de l'alimentation électrique peut varier en fonction du marché) 22. Bobine de câble pour le câble périphérique et le câble guide ²⁹ 23. Raccords de boucle de câble ³⁰ 24. Cavaliers ³¹ 25. Connecteur du câble de boucle ³² 26. Vis pour fixation de la station de charge 27. Règle d'aide à la pose du câble périphérique (la règle est à détacher de la boîte) 28. Manuel d'utilisation et Guide rapide 29. Marqueurs de câbles 30. Lames supplémentaires 31. Câble basse tension 32. Autocollant Alarme |
|--|--|

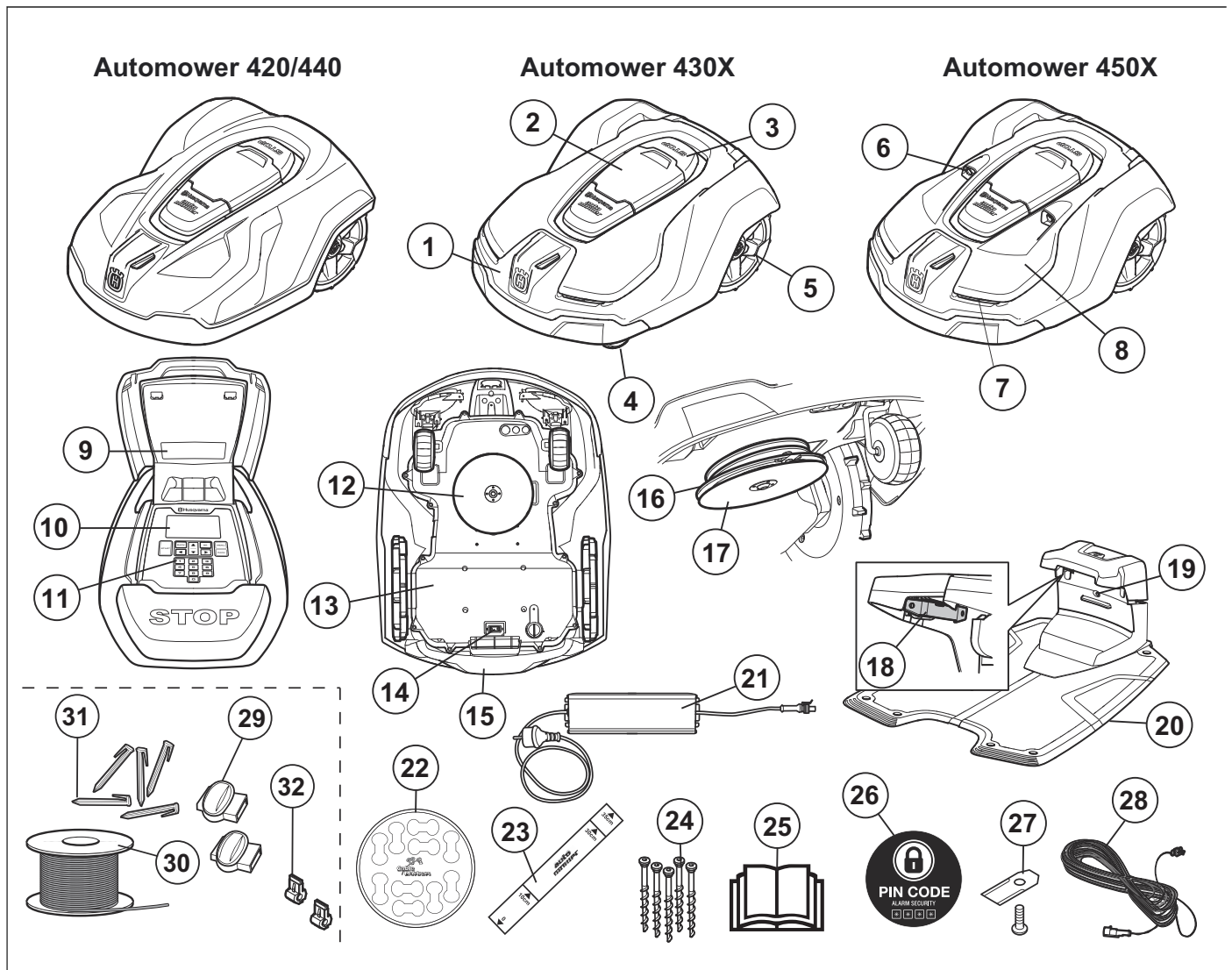
²⁹ Fait partie du kit d'installation qui a été acheté séparément.

³⁰ Voir remarque 1

³¹ Voir remarque 1

³² Voir remarque 1

23.10 Présentation du produit Automower 420/430X/440/450X



Les numéros sur la figure représentent :

- | | |
|---|---|
| <ol style="list-style-type: none"> 1. Carrosserie 2. Capot d'accès à l'écran et au clavier 3. Bouton d'arrêt 4. Roues avant 5. Roues arrière 6. Capteurs ultrasoniques 7. Phares 8. Capot repositionnable 9. Plaque d'identification 10. Écran 11. Clavier 12. Système de coupe 13. Châssis contenant l'électronique, la batterie et les moteurs 14. Poignée 15. Interrupteur principal 16. Disque de coupe 17. Plaque de protection | <ol style="list-style-type: none"> 18. Contacts de charge station 19. Voyant de fonctionnement de la station de charge et du câble périphérique 20. Station de charge 21. Alimentation électrique 22. Marqueurs de câbles 23. Règle d'aide à la pose du câble périphérique (la règle est à détacher de la boîte) 24. Vis pour fixation de la station de charge 25. Manuel d'utilisation et guide d'installation rapide 26. Autocollant Alarme 27. Lames supplémentaires 28. Câble basse tension 29. Raccords de boucle de câble ³³ 30. Boucle de câble pour le câble périphérique et le câble guide ³⁴ 31. Cavaliers ³⁵ 32. Connecteur du câble de boucle ³⁶ |
|---|---|

³³ Fait partie du kit d'installation qui a été acheté séparément.

³⁴ Voir remarque 1

³⁵ Voir remarque 1

³⁶ Voir remarque 1

23.11 Symboles concernant le produit

Ces symboles peuvent figurer sur le robot de tonte. Étudiez-les attentivement.



AVERTISSEMENT : lisez attentivement les instructions d'utilisation avant d'utiliser le robot de tonte.



AVERTISSEMENT : actionnez le dispositif de désactivation avant de travailler sur la machine ou de la soulever.

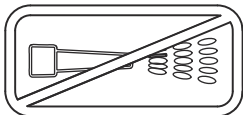
Le robot de tonte ne peut démarrer que lorsque l'interrupteur principal est en position 1 et que le bon code PIN a été saisi. Mettez l'interrupteur principal en position 0 avant de procéder à toute opération de contrôle et/ou de maintenance.



AVERTISSEMENT : maintenez une distance de sécurité entre la machine en fonctionnement et vous. Maintenez les mains et les pieds à distance des lames en rotation.



AVERTISSEMENT : ne vous mettez ni debout, ni assis sur la machine. Ne placez jamais les mains ou les pieds en dessous ou à proximité de la carrosserie.



Ne nettoyez jamais le robot de tonte avec un nettoyeur à haute pression ni à l'eau courante.



Fonction de verrouillage



Ce produit est conforme aux directives CE en vigueur.



Émissions sonores dans le milieu environnant. Les émissions de la machine sont indiquées au chapitre *Caractéristiques techniques à la page 71* et sur la plaque signalétique.



Ce produit ne doit pas être jeté avec les déchets ménagers. Veuillez à le recycler conformément aux directives légales locales.



Le châssis contient des composants qui sont sensibles aux décharges électrostatiques (ESD). Le châssis doit également être scellé de manière professionnelle. C'est pourquoi il ne doit être ouvert que par des techniciens d'entretien agréés. Un sceau rompu peut entraîner la non-validité de la totalité ou de certaines parties de la garantie.



Le câble basse tension ne peut pas être raccourci, rallongé ou épissé.

N'utilisez pas de coupe-herbe à proximité du câble basse tension. Soyez prudent lors de la coupe de bordures où se trouvent les câbles.

Actionnez le dispositif de désactivation avant d'utiliser ou de soulever le produit.

24 Sécurité

24.1 Instructions générales de sécurité

Le système suivant est utilisé dans le manuel d'utilisation pour une utilisation plus simple :

- Les textes écrits en *italique* indiquent un affichage sur l'écran d'affichage du robot tondeuse ou une référence à une autre section du manuel d'utilisation.

- Le texte écrit en **gras** fait référence aux touches du clavier du robot de tonte.
- Le texte écrit en *LETTRES MAJUSCULES* et en *italique* fait référence à la position de l'interrupteur principal et aux différents modes de fonctionnement du robot de tonte.

24.1.1 IMPORTANT. À LIRE ATTENTIVEMENT AVANT UTILISATION. À CONSERVER POUR RÉFÉRENCE ULTÉRIEURE

L'utilisateur est tenu responsable des accidents et des dangers auxquels il expose autrui ou des biens.

Cet appareil n'est pas destiné à une utilisation par des personnes (ou des enfants) aux capacités physiques, sensorielles ou mentales limitées ou manquant d'expérience et de connaissances, sauf si elles ont bénéficié de la surveillance ou des instructions concernant l'utilisation de l'appareil d'une personne responsable de leur sécurité. Il convient de surveiller les enfants et de les empêcher de jouer avec l'appareil.

Cet appareil peut être utilisé par des enfants âgés de 8 ans et plus, et des personnes ayant des handicaps physiques, sensoriels ou mentaux ou manquant d'expérience et de connaissances, à condition qu'ils bénéficient de la surveillance ou des instructions appropriées concernant l'utilisation de l'appareil en toute sécurité et qu'ils aient bien compris les risques encourus. Les réglementations nationales peuvent limiter l'âge de l'utilisateur. Le nettoyage et les opérations d'entretien ne doivent pas être réalisés par des enfants sans surveillance.

Ne connectez jamais l'alimentation électrique à une prise si la fiche ou le fil est endommagé. Les fils usés ou endommagés augmentent le risque de choc électrique.

Ne chargez la batterie que dans la station de charge incluse. Une utilisation inappropriée peut provoquer un choc électrique, une surchauffe ou une fuite de liquide corrosif de la batterie. En cas de fuite d'électrolyte, nettoyez avec de l'eau ou un agent de neutralisation et en cas de contact avec les yeux, consultez un médecin.

Utilisez uniquement les batteries d'origine recommandées par le fabricant. La sécurité du produit ne peut pas être garantie avec des batteries autres que celles d'origine. N'utilisez pas de batteries non rechargeables.

L'appareil doit être déconnecté de l'alimentation secteur lors de la dépose de la batterie.



AVERTISSEMENT: Le robot tondeuse peut être dangereux s'il est mal utilisé.



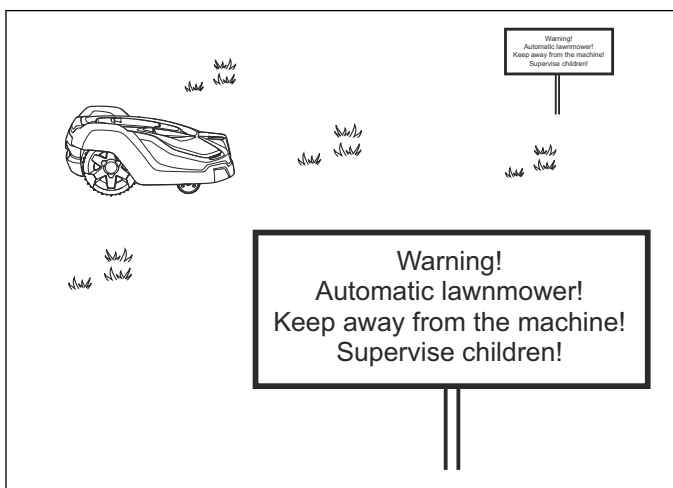
AVERTISSEMENT: N'utilisez jamais le robot de tonte quand des personnes, en particulier des enfants, ou des animaux domestiques, se trouvent dans la zone de tonte.



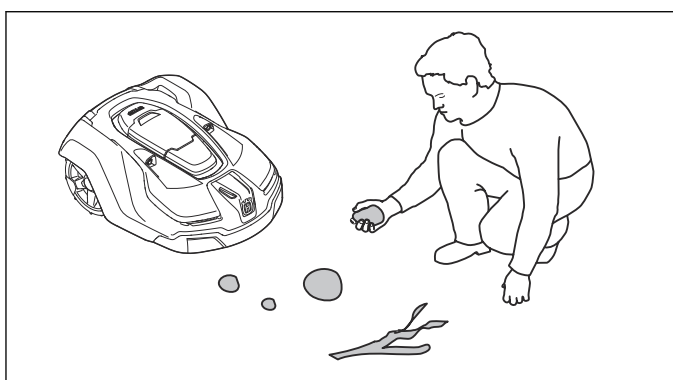
AVERTISSEMENT: Maintenez les mains et les pieds à distance des lames en rotation. Ne placez jamais les mains ou les pieds en dessous ou à proximité de la carrosserie lorsque le moteur tourne.

24.2 Utilisation

- Ce robot de tonte est conçu pour couper l'herbe sur des surfaces extérieures planes. Il ne doit être utilisé qu'avec les équipements recommandés par le fabricant. Toute autre utilisation est incorrecte. Les instructions du fabricant concernant l'utilisation et la maintenance doivent être minutieusement respectées.
- Des panneaux d'avertissement doivent être placés autour de la zone de travail du robot de tonte s'il est utilisé dans des espaces publics. Les panneaux doivent comporter le texte suivant : **Avvertissement ! Tondeuse automatique ! Maintenez les enfants à distance de la machine ! Surveillez les enfants !**



- Utilisez la fonction **PARK** ou coupez l'interrupteur principal lorsque des personnes, en particulier des enfants, ou des animaux, se trouvent dans la zone de tonte. Il est recommandé de programmer la tondeuse pour une utilisation pendant les heures où personne ne se trouve dans la zone, par exemple la nuit.
- Le robot tondeuse ne peut être utilisé, entretenu et réparé que par des personnes parfaitement familiarisées avec ses caractéristiques spéciales et connaissant les consignes de sécurité. Veuillez lire attentivement le manuel d'utilisation et bien l'assimiler avant d'utiliser le robot tondeuse.
- Vous n'êtes pas autorisé à modifier la conception originale du robot tondeuse. Toutes les modifications effectuées sont à vos risques et périls.
- Vérifiez qu'aucun objet tel que des pierres, des branches, des outils ou des jouets ne se trouve sur la pelouse car il pourrait endommager les lames. Les objets présents sur la pelouse peuvent également se coincer dans le robot tondeuse et vous pourriez avoir besoin d'aide pour retirer l'objet avant que la tonte ne reprenne. Réglez toujours l'interrupteur principal en position 0 avant d'éliminer une obstruction.



- Mettez le robot tondeuse en marche en suivant les instructions. Lorsque l'interrupteur principal est en position 1, assurez-vous de garder les mains et les pieds à distance des lames en rotation. Ne placez jamais les mains ou les pieds en dessous du robot tondeuse.
- Ne touchez jamais les pièces dangereuses en mouvement, telles que le disque de coupe, avant qu'elles ne soient complètement à l'arrêt.

- Lorsque l'interrupteur principal est en position 1, vous ne devez en aucun cas soulever ou transporter le robot de tonte.
- Ne laissez pas des personnes ignorant le fonctionnement du robot de tonte s'en servir.
- Ne laissez jamais le robot de tonte entrer en collision avec des personnes ou d'autres êtres vivants. Si une personne ou un autre être vivant se trouve sur la trajectoire de la tondeuse, celle-ci doit être immédiatement arrêtée.
- Ne posez rien sur le robot tondeuse ni sur sa station de charge.
- N'utilisez pas le robot tondeuse si la protection, le disque de coupe ou la carrosserie sont défectueux. Ne l'utilisez pas non plus si les lames, les vis, les écrous ou les câbles sont défectueux. Ne branchez jamais ou n'appuyez jamais sur un câble endommagé avant que celui-ci soit déconnecté de l'alimentation.
- N'utilisez pas le robot tondeuse si l'interrupteur principal ne fonctionne pas.
- Éteignez toujours le robot tondeuse à l'aide de l'interrupteur principal lorsque vous ne vous en servez pas. Le robot de tonte ne peut démarrer que lorsque l'interrupteur principal est en position 1 et que le bon code PIN a été saisi.
- Le robot tondeuse ne doit jamais être utilisé en même temps qu'un arroseur. Utilisez la fonction de minuterie de façon à ne jamais faire fonctionner le robot de tonte et l'arroseur simultanément.
- Husqvarna ne garantit en aucun cas la compatibilité totale entre le robot de tonte et d'autres types de dispositif sans fil comme des télécommandes, des transmetteurs radio, des boucles d'écoute, des clôtures électrifiées enterrées pour animaux ou autres.
- L'alarme intégrée est très forte. Soyez prudent, surtout si le robot tondeuse est manipulé en intérieur.
- Les objets métalliques enterrés (par exemple le béton armé ou les filets anti-taupes) peuvent provoquer un arrêt du robot tondeuse. En effet, ils peuvent être à l'origine d'interférences avec le signal boucle, ce qui peut se traduire par un arrêt du robot tondeuse.
- Le robot de tonte ne doit jamais être utilisé à des températures inférieures à 0 °C ou supérieures à 50 °C afin de ne pas l'endommager.

25 Installation

25.1 Connexion de l'alimentation électrique

Tenez compte des éléments suivants pour positionner l'alimentation électrique :

- À proximité de la station de charge
- À l'abri de la pluie
- À l'abri de la lumière directe du soleil.

N'exposez pas l'alimentation électrique aux rayons directs du soleil et placez-la sous un abri. Si l'alimentation électrique est connectée à une prise électrique à l'extérieur, elle doit être homologuée pour un usage extérieur. Il est recommandé d'utiliser un interrupteur différentiel (RCD) pour connecter l'alimentation électrique à la prise murale.

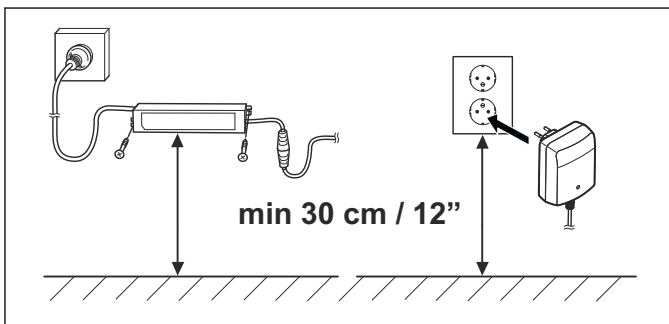


AVERTISSEMENT: applicable aux États-Unis et au Canada. Si l'alimentation est installée en extérieur : risque de choc électrique. Installez uniquement sur une prise DDFT de classe A (RCD) couverte qui possède une enceinte étanche aux intempéries avec le bouchon de la fiche de fixation inséré ou enlevé.

Aucune pièce de l'alimentation électrique ne doit être changée ou modifiée. Par exemple, le câble basse tension ne doit pas être raccourci ni rallongé. Les câbles basse tension de 3 ou 20 m de long sont disponibles en option.



AVERTISSEMENT: Ne montez jamais l'alimentation électrique à une hauteur présentant un risque de submersion dans l'eau ; placez-la à au moins 30 cm du sol. Il est interdit de placer l'alimentation électrique sur le sol.



AVERTISSEMENT: En aucun cas, les pièces du bloc d'alimentation ne doivent être changées ou modifiées. Le câble basse tension ne doit pas être raccourci ni rallongé.



AVERTISSEMENT: Utilisez la fiche pour déconnecter la station de charge, par exemple avant nettoyage de la station de charge ou réparation de la boucle de câble.



AVERTISSEMENT: Placez le câble basse tension et réglez la hauteur de coupe de sorte que les lames du disque de coupe ne soient jamais en contact avec lui.

Pour plus d'instructions sur la méthode d'installation correcte, reportez-vous au chapitre *Installation* du manuel d'utilisation complet sur le site Web www.husqvarna.com d'Husqvarna.

25.2 Panneau de commande

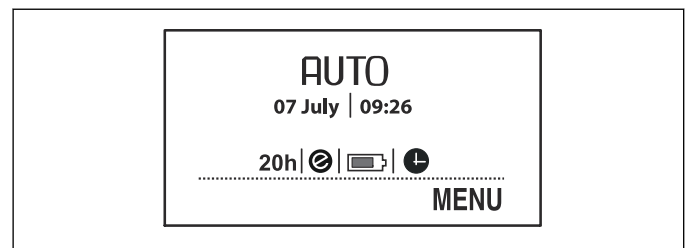
Toutes les commandes et tous les réglages du robot tondeuse sont effectués à partir du panneau de commande. Toutes les fonctions sont accessibles via un certain nombre de menus.

Le panneau de commande est constitué d'un écran d'affichage et d'un clavier. Toutes les informations sont affichées sur l'écran d'affichage et toutes les saisies sont effectuées à l'aide des boutons.

Les textes affichés à l'écran sont en anglais dans le manuel, mais vous verrez les textes sur l'écran du produit dans la langue sélectionnée.

25.3 Écran d'affichage Automower 105

Si le bouton **STOP** est actionné et que le capot est ouvert, la fenêtre de fonctionnement affiche l'heure, le mode de fonctionnement sélectionné, le nombre d'heures de tonte, l'état de la batterie et le réglage de la minuterie.

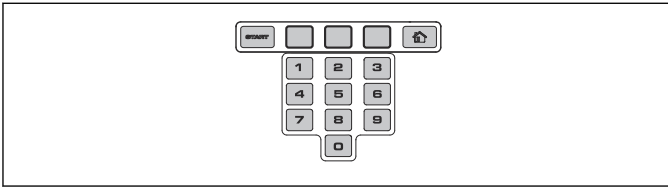


- L'horloge indique l'heure actuelle.
- La date indique le jour en cours.
- Le nombre d'heures de fonctionnement indique le nombre d'heures de fonctionnement du robot de tonte depuis la date de fabrication. Le temps de fonctionnement du robot de tonte regroupe la durée de ses tontes et la durée de ses recherches de la station de charge.
- *AUTO*, *MAN* et *HOME* indiquent le mode de fonctionnement choisi.
- L'état de la batterie indique le niveau de batterie restant.
- Le symbole ECO s'affiche si le robot de tonte est en *mode ECO*.
- Le symbole horloge indique que la minuterie a été réglée. Le symbole horloge s'affiche en noir si le robot tondeuse n'est pas autorisé à tondre du fait d'un réglage de minuterie.

- *MENU* indique qu'il est possible d'atteindre le menu principal en appuyant sur le bouton à choix multiples situé sous le texte.

25.4 Clavier Automower 105

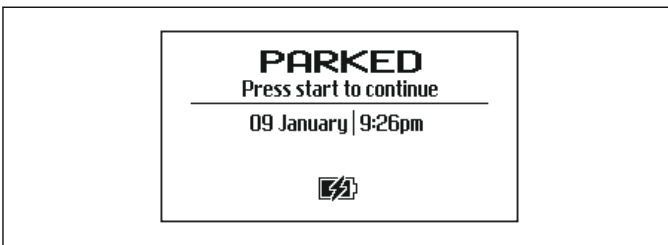
Le clavier est composé de 4 groupes de touches :



- Le bouton **START** sert à activer le robot de tonte. C'est normalement le dernier bouton actionné avant de fermer le capot.
- Les 3 boutons à **choix multiples** offrent diverses fonctions, selon l'endroit où vous vous situez dans la structure du menu. La fonction du bouton est indiquée en bas de l'écran.
- Le **clavier numérique** permet notamment de saisir le code PIN et de régler l'heure.
- Le bouton de **sélection du mode de fonctionnement** est symbolisé par une maison. Une fois que vous avez appuyé sur le bouton, le mode de fonctionnement choisi s'affiche à l'écran d'affichage.

25.5 Écran d'affichage Automower 310/315/315X/420/430X/440/450X

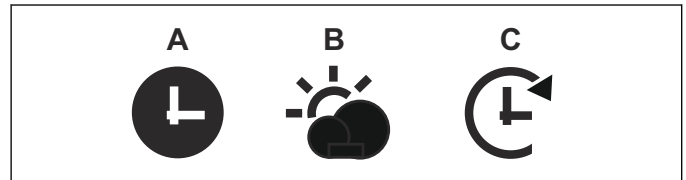
Une fois le bouton **STOP** enfoncé et la trappe ouverte, la page de démarrage affiche les informations suivantes :



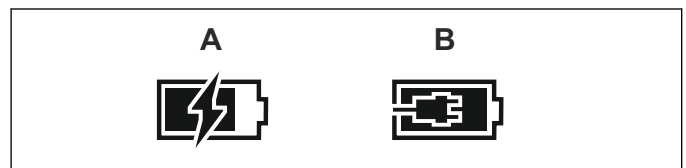
- Informations de fonctionnement, p. ex. *PRÊT*, *EN TONTE*, *PARK* ou *MINUTERIE*. *PRÊT* s'affiche si le robot de tonte n'est pas dans un mode de fonctionnement précis, p. ex. si l'interrupteur principal vient d'être actionné. Si vous appuyez sur le bouton **STOP**, le robot de tonte affiche l'action qu'il effectuait avant d'être arrêté, p. ex. *EN TONTE* ou *RECHERCHE*.
- La date et l'heure indiquent l'heure actuelle.
- Pour Automower 315X/430X/450X : Le symbole du satellite indique que la navigation-GPS est activée. Le symbole (A) indique que le robot de tonte est entré en contact avec suffisamment de satellites GPS. Le symbole (B) indique que le robot de tonte n'est pas entré en contact avec suffisamment de satellites GPS. Lors des premiers jours de fonctionnement du robot de tonte, le symbole (A) clignote, car il collecte des informations GPS sur l'installation.



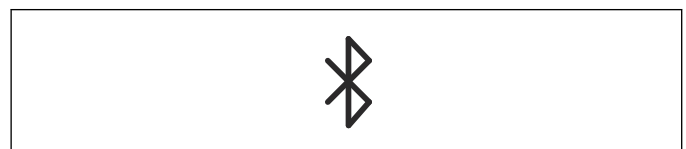
- Le symbole ECO s'affiche si le robot de tonte est en *mode ECO*.
- Le symbole horloge noir (A) s'affiche lorsque le robot de tonte n'est pas autorisé à tondre du fait d'un réglage de minuterie. Si le robot n'est pas autorisé à tondre en raison de la *Minuterie adaptative (météo)*, le symbole (B) s'affiche. Si le mode de fonctionnement *Suspendre la minuterie* est sélectionné, le symbole (C) s'affiche.



- L'état de la batterie indique le niveau de batterie restant. Si le robot de tonte est en charge, un voyant clignote également au-dessus du symbole (A) de la batterie. Le symbole (B) indique que le robot de tonte est placé sur la station de charge mais n'est pas en charge.

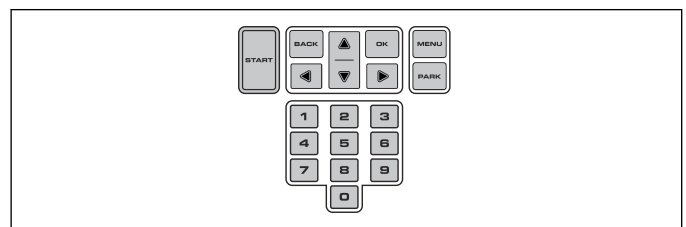


- Le réglage de la hauteur s'affiche sous forme de valeur numérique/d'échelle.
- Pour Automower Connect@Home (voir *Automower Connect@Home à la page 64*) :



25.6 Clavier Automower 310/315/315X/420/430X/440/450X

Le clavier est composé de 6 groupes de touches :



- Le bouton **START** sert à activer le robot de tonte. C'est normalement le dernier bouton actionné avant de fermer le capot.
- Les boutons **BACK** et **OK** servent à naviguer dans le menu. Le bouton **OK** sert aussi à confirmer les réglages dans le menu.
- Les **touches fléchées** permettent de naviguer dans le menu mais aussi de sélectionner certaines options de réglage.

- Le bouton **MENU** permet d'accéder au menu principal.
- Le bouton **PARK** sert à envoyer le robot tondeuse vers la station de charge.
- Le **clavier numérique** sert à saisir des réglages, par exemple le code PIN, l'heure ou la direction de sortie.

25.7 Structure du menu

Le menu principal du modèle Automower 105 propose 4 options. L'Automower 310 dispose de 6 options et l'Automower 315/315X en a 7. Le menu principal du modèle Automower 420/430X/440/450X propose 8 options.

25.8 Sous-menus

Il existe plusieurs sous-menus par option. Ces sous-menus vous permettent d'accéder à toutes les fonctions permettant de définir les réglages du robot tondeuse.

Certains sous-menus contiennent des options cochées à gauche. Cela signifie que ces options sont sélectionnées. Cochez ou décochez la case en appuyant sur **OK**.

25.9 Naviguer entre les menus

Parcourez le menu principal et les sous-menus à l'aide des boutons de sélection à choix multiples (Automower 105) ou des **touches fléchées** (Automower 310/315/315X/420/430X/440/450X). Entrez les valeurs et les heures à l'aide du clavier numérique et confirmez chaque sélection à l'aide du bouton à choix multiples indiqué **OK**. Appuyez sur **BACK** pour remonter d'un cran dans le menu ou maintenez le bouton **HOME** (Automower 105) ou **MENU** (Automower 310/315/315X/420/430X/440/450X) enfoncé pendant 2 secondes pour accéder directement au menu principal.

25.10 Menu principal



Minuterie

Pour un résultat de tonte optimal, ne tondez pas trop souvent votre pelouse. Il est par conséquent important de limiter le temps de fonctionnement à l'aide de la fonction Minuterie si la zone de tonte est inférieure à la capacité de travail du robot tondeuse. La fonction Minuterie constitue également un moyen idéal pour définir les périodes pendant lesquelles le robot tondeuse ne doit pas fonctionner, par exemple quand les enfants jouent dans le jardin.



Hauteur de coupe

Applicable pour l'Automower 420/430X/440/450X

La hauteur de coupe peut varier de MIN (1) à MAX (9). Pendant la première semaine qui suit l'installation, la hauteur de coupe doit être réglée sur MAX pour éviter d'endommager la boucle du câble. La hauteur de coupe peut ensuite être réduite progressivement toutes les semaines jusqu'à ce que la hauteur souhaitée soit atteinte.



Sécurité

Ce menu permet de configurer les paramètres de sécurité et la connexion entre le robot de tonte et la station de charge. Il existe 3 niveaux de sécurité parmi lesquels choisir : *Bas*, *Moyen*, *Haut*.



Messages

Applicable pour l'Automower 310/315/315X/420/430X/440/450X

Des messages historiques, informatifs et d'erreur peuvent être lus dans ce menu. Pour les messages d'erreur les plus courants, il existe des astuces et des conseils à suivre pour résoudre le problème.



Minuterie adaptative (météo)

Applicable pour l'Automower 315/315X/420/430X/440/450X

Cette fonction permet au robot de tonte d'ajuster automatiquement ses temps de tonte en fonction de la vitesse de croissance de l'herbe. Lorsque la météo favorise la pousse de l'herbe, le robot de tonte tond plus souvent tandis que lorsque l'herbe pousse moins vite, le robot de tonte passe automatiquement moins de temps sur la pelouse.



Installation

Cette fonction de menu sert à personnaliser l'installation. Pour beaucoup de zones de tonte, il n'est pas nécessaire de modifier les réglages d'usine, mais en fonction de la complexité de la pelouse, le résultat de tonte peut être amélioré en procédant à des réglages manuels.



Réglages

Cette sélection vous permet de modifier les réglages généraux du robot tondeuse, tels que la date et l'heure. Vous pouvez également activer ou désactiver le *mode ECO* et la *tonte en spirale* ou enregistrer vos paramètres dans différents *profils* (Automower 315/315X/420/430X/440/450X uniquement).



Accessoires

Applicable pour l'Automower 310/315/315X/420/430X/440/450X

Ce menu gère les paramètres des accessoires du robot de tonte, par exemple Automower Connect ou Automower Connect@Home. Contactez votre représentant Husqvarna local pour savoir quels accessoires sont disponibles pour votre robot de tonte.

26 Utilisation

26.1 Sélection du mode de fonctionnement Automower 105

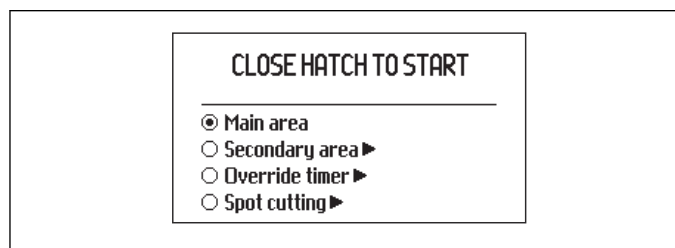
Appuyez plusieurs fois sur le bouton du **mode de fonctionnement** pour choisir l'un des trois modes proposés.

- **HOME.** Renvoie le robot tondeuse vers la station de charge. Il reste jusqu'à ce qu'un autre mode de fonctionnement soit choisi. Home apparaît dans la fenêtre de fonctionnement. Lorsque la batterie est complètement chargée, le robot de tonte ne quitte pas la station de charge, puis ne recommence à tondre qu'une fois le mode de fonctionnement défini à nouveau sur **AUTO**.
- **AUTO.** Mode de fonctionnement automatique standard dans lequel le robot tond et se charge automatiquement.
- **MAN.** Le réglage **MAN** doit être utilisé pour la tonte de zones secondaires. Si **MAN** est sélectionné et si le robot de tonte est mis en route hors de la pelouse, il tond jusqu'à ce que la batterie soit entièrement déchargée. Il s'arrête ensuite et le message « Nécessite une recharge manuelle » s'affiche. Le robot tondeuse doit être reconduit à la station de charge et démarré manuellement une fois la batterie rechargée. Si le robot tondeuse se charge en mode **MAN**, il se charge complètement, sort de la station de charge, parcourt environ 20 cm puis s'arrête. Cela indique qu'il est chargé et prêt à tondre.

26.2 Sélection du mode de fonctionnement via Start Automower 310/315/315X/420/430X/440/450X

Lorsque vous appuyez sur le bouton **START**, les modes de fonctionnement suivants peuvent être sélectionnés :

- **ZONE PRINCIPALE.** Mode de fonctionnement standard dans lequel le robot tond et se charge automatiquement.



- **ZONE SECONDAIRE.** Ce réglage doit être utilisé pour la tonte de zones secondaires.
Si le robot de tonte se charge en mode Zone secondaire, il se chargera complètement, s'éloignera de 50 cm environ et s'arrêtera. Cela indique qu'il est chargé et prêt à tondre. Si la zone de travail principale doit être tondu après la charge, il convient de basculer en mode de fonctionnement **Zone principale** avant de placer le robot de tonte dans la station de charge.
- **SUSPENDRE LA MINUTERIE.** Tous les réglages de la minuterie peuvent être temporairement

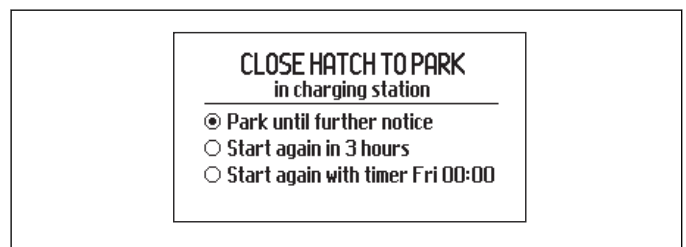
suspendus en sélectionnant **Suspendre la minuterie**. Il est possible de *suspendre la minuterie* pendant 24 h ou 3 jours.

- **POINT DE TONTE** (non disponible pour l'Automower 310). Le robot de tonte fonctionne en spirale pour couper l'herbe là où elle a été moins coupée que d'autres parties du jardin.

La fonction *Point de tonte* est activée avec le bouton **START**. Vous pouvez sélectionner le mode de fonctionnement du robot de tonte une fois la tonte terminée, en appuyant sur la **flèche droite**, puis en sélectionnant *Zone principale* ou *Zone secondaire*.

26.3 Sélection du mode de fonctionnement Park Automower 310/315/315X/420/430X/440/450X

Lorsque vous appuyez sur le bouton **PARK**, les modes de fonctionnement suivants peuvent être sélectionnés.



- **PARK JUSQU'À NOUVEL ORDRE.** Le robot tondeuse reste dans la station de charge tant qu'un autre mode de fonctionnement n'est pas sélectionné via le bouton **START**.
- **REDÉMARRER DANS 3 HEURES.** Le robot de tonte reste dans la station de charge pendant trois heures, puis retourne automatiquement au fonctionnement normal. Ce mode de fonctionnement convient lorsqu'il est nécessaire d'interrompre le fonctionnement, p. ex. pour un arrosage temporaire ou pour que des enfants jouent sur la pelouse.
- **DÉMARRAGE À LA PROCH. PÉRIODE.** Le robot de tonte reste dans la station de charge jusqu'à ce que le prochain réglage de minuterie autorise le fonctionnement. Ce mode de fonctionnement convient si vous souhaitez annuler un cycle de tonte en cours et permettre au robot de tonte de rester dans la station de charge jusqu'au jour suivant. Cette option ne s'affiche pas si aucun réglage de minuterie n'a été fait.

26.4 Connectivité

Vous pouvez communiquer avec votre robot de tonte via l'application mobile Automower Connect. Automower Connect est disponible pour votre smartphone et votre tablette (Apple ou Android). Lorsque Automower Connect est activé, de nouvelles icônes s'affichent sur l'écran du robot de tonte. Pour plus d'informations, consultez *Manuel d'utilisation complet à la page 51*.

26.4.1 Automower Connect

Automower Connect est inclus dans l'Automower 315X/430X/450X et disponible en accessoire pour l'Automower 310/315/420/440.

Automower Connect relie le système de menu de la tondeuse à votre smartphone, ce qui facilite la lecture et le changement des paramètres de la tondeuse à distance. Grâce à cette application, vous pouvez recevoir l'état actuel de votre Automower et transmettre des commandes au robot de tonte depuis n'importe où dans le monde. En cas de vol, une alarme vous prévient et vous permet de localiser votre tondeuse. Certains pays ne prennent pas en charge Automower Connect en raison des systèmes cellulaires spécifique à chaque région. Contactez votre représentant Husqvarna local pour de plus amples informations.

26.4.2 Automower Connect@Home

Inclus dans l'Automower 310/315/420/440.

Cela signifie que vous pouvez communiquer avec le robot de tonte tant que vous êtes à portée de communication. Une icône pour les communications Bluetooth s'affiche sur l'écran du robot de tonte lorsque la connexion avec votre smartphone est établie. Automower Connect@Home est doté d'une fonctionnalité similaire, mais pas aussi développée que Automower Connect, et utilise la même application.

26.4.3 Démarrage

Télécharger l'application Automower Connect (applicable également pour Automower Connect@Home) à partir de l'AppStore ou GooglePlay. Une fois l'application téléchargée, vous pouvez spécifier une adresse e-mail et un mot de passe pour créer un compte. Vous recevrez un e-mail de validation à l'adresse e-mail que vous avez spécifiée. Suivez les instructions contenues dans l'e-mail dans les 24 heures pour valider votre compte. Passé ce délai, vous devrez recréer votre compte. Une fois le compte créé dans l'application, vous pouvez appairer le robot de tonte avec votre smartphone.

26.4.4 Appairer avec Automower Connect

Sélectionnez la fonction *Accessoires > Automower Connect > Appairage > Nouvel appairage*. Lorsque l'application vous invite à le faire, entrez le code à 6 chiffres qui apparaît sur l'écran du robot de tonte. Saisissez également le nom du robot dans l'application. Automower Connect est toujours connecté à votre robot de tonte tant que le smartphone est en contact avec le réseau mobile et que le robot de tonte est chargé et l'interrupteur principal est en réglé sur 1.

26.4.5 Appairer avec Automower Connect@Home

Sélectionnez la fonction *Accessoires > Connect@Home > Nouvel appairage* et suivez les instructions de l'application. Une fois votre robot de tonte et votre smartphone appairés, ils se connecteront chaque fois que vous serez à portée (Automower Connect@Home). Si vous souhaitez vous connecter au robot de tonte sans avoir de compte, vous pouvez toujours utiliser Automower Connect@Home en

sélectionnant l'HMI à distance dans l'écran de démarrage de l'application.

26.5 Réglage de la hauteur de coupe

Si l'herbe est haute, laissez le robot de tonte commencer par tondre à la hauteur de coupe MAX. Une fois l'herbe plus courte, vous pouvez abaisser progressivement la hauteur de coupe.

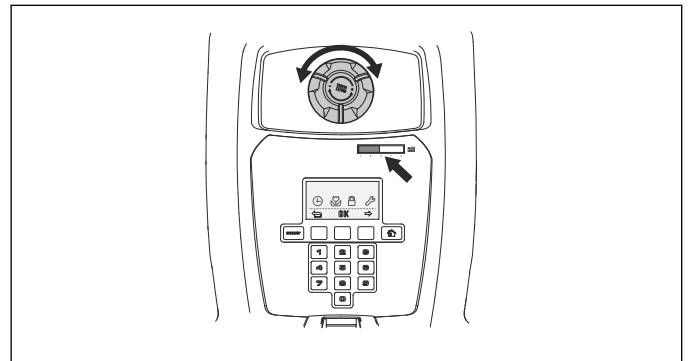


REMARQUE: Pendant la première semaine qui suit l'installation, la hauteur de coupe doit être réglée sur MAX pour éviter d'endommager la boucle du câble. La hauteur de coupe peut ensuite être réduite progressivement toutes les semaines jusqu'à ce que la hauteur souhaitée soit atteinte.

26.5.1 Automower 105

La hauteur de coupe peut varier de MIN (2) à MAX (5). Pour régler la hauteur de coupe :

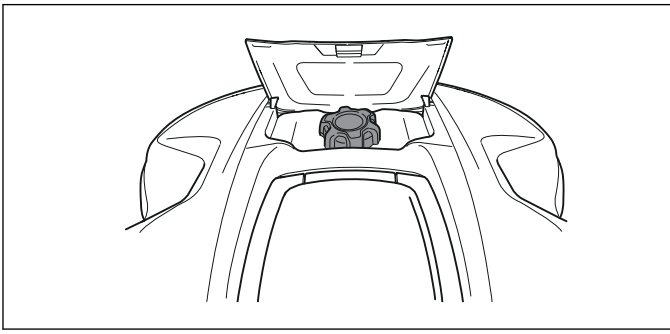
1. Appuyez sur le bouton **STOP** pour arrêter le robot tondeuse, puis ouvrez le capot.
2. Tournez le bouton de réglage de la hauteur dans la position souhaitée. La position choisie est indiquée par la colonne orange, sur l'indicateur de réglage de la hauteur.



26.5.2 Automower 310/315/315X

La hauteur de coupe peut varier de MIN (2) à MAX (6) en 9 étapes.

1. Appuyez sur le bouton **STOP** pour arrêter le robot de tonte et ouvrez le capot de réglage de la hauteur de coupe.
2. Tournez le bouton dans la position souhaitée. Tournez dans le sens des aiguilles d'une montre pour augmenter et dans le sens contraire pour diminuer la hauteur de coupe. La flèche s'aligne sur la position sélectionnée marquée sur la carrosserie.
3. Fermez le capot.



26.5.3 Automower 420/430X/440/450X

La hauteur de coupe peut varier de MIN à MAX en 9 étapes.

1. Appuyez sur le bouton **STOP** pour arrêter le robot tondeuse, puis ouvrez le capot.
2. Appuyez sur le bouton **MENU** pour accéder au menu principal.
3. Déplacez le curseur à l'aide des touches fléchées haut et bas pour sélectionner *Hauteur de coupe*.
4. Appuyez sur **OK**.

27 Entretien

27.1 Nettoyage

Il est important que le robot de tonte soit toujours propre. Un robot de tonte sur lequel a adhéré une grande quantité d'herbe aura plus de mal à monter des pentes, présentera des performances moindres et sera davantage exposé à l'usure. Pour une meilleure fiabilité de fonctionnement et une plus grande longévité, inspectez et nettoyez régulièrement le robot de tonte et remplacez les pièces usées, si nécessaire. Il est recommandé de le nettoyer à l'aide d'une brosse douce.

Pour réduire le risque d'endommagement des pièces électriques du robot de tonte et de sa station de charge, nous recommandons de défaire tous les branchements de la station de charge (alimentation électrique, câble périphérique et câbles guides) en cas de risque d'orage.



AVERTISSEMENT: Lorsque le robot tondeuse est retourné, l'interrupteur principal doit toujours être en position 0.

L'interrupteur principal doit toujours être en position 0 pendant toutes les tâches sur le châssis du robot tondeuse, telles que le nettoyage ou le remplacement des lames.



REMARQUE: Ne nettoyez jamais le robot tondeuse avec un nettoyeur à haute pression ni à l'eau courante. N'utilisez jamais de solvants pour le nettoyage.

27.2 Batterie

La batterie ne nécessite aucun entretien mais présente une durée de vie limitée de 2 à 4 ans.

La durée de vie de la batterie dépend de la durée de la saison et du nombre d'heures d'utilisation du robot tondeuse par jour. Une longue saison ou de nombreuses heures d'utilisation par jour impliqueront de remplacer la batterie plus souvent.



AVERTISSEMENT: ne chargez le robot de tonte qu'avec une station de charge prévue à cet effet. Une utilisation inappropriée peut provoquer un choc électrique, une surchauffe ou une fuite de liquide corrosif de la batterie. En cas de fuite d'électrolyte, nettoyez avec de l'eau et consultez un médecin en cas de contact avec les yeux, etc.



AVERTISSEMENT: Utilisez uniquement les batteries d'origine recommandées par le fabricant. La sécurité du produit ne peut pas être garantie avec d'autres batteries. N'utilisez pas de batteries non rechargeables.



REMARQUE: La batterie doit être chargée complètement avant le stockage hivernal. Si la

batterie n'est pas complètement chargée, cela pourrait l'endommager ou la rendre inutilisable.

Si les durées de fonctionnement du robot tondeuse se raccourcissent entre les charges, cela signifie que la batterie s'use et doit finalement être remplacée. La batterie reste opérationnelle tant que le robot tondeuse maintient une pelouse bien taillée.

Contactez votre représentant Husqvarna local pour remplacer la batterie.

27.3 Remplacement des lames



AVERTISSEMENT: Utilisez toujours des lames et des vis adaptées. Husqvarna ne garantit la sécurité que pour l'utilisation des lames d'origine. Si vous ne remplacez que les lames et réutilisez la vis, la vis peut s'user ou se cisailer lors de la tonte. Les lames peuvent alors être projetées depuis la partie inférieure de la carrosserie et causer des blessures graves.

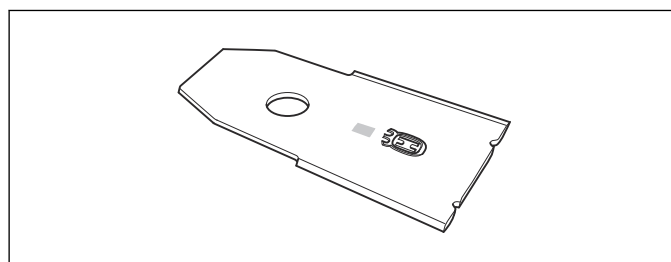


AVERTISSEMENT: Portez des gants de protection.

Par mesure de sécurité, remplacez les pièces usées ou endommagées. Même si elles sont intactes, les lames doivent être remplacées régulièrement afin d'optimiser le résultat de tonte et de minimiser la consommation d'énergie.

Le robot de tonte comporte 3 lames vissées dans le disque de coupe. Les 3 lames et vis doivent être remplacées en même temps pour que le système de coupe reste équilibré.

Utilisez des lames d'origine Husqvarna sur lesquelles le logo Husqvarna est estampé (voir *Conditions de garantie à la page 74*).



27.3.1 Pour remplacer les lames

1. Placez l'interrupteur principal en position 0.
2. Retournez le robot tondeuse. Placez le robot tondeuse sur une surface souple et propre pour éviter de rayer le châssis et le capot.
3. Tournez la plaque de protection de manière à aligner ses trous et les vis de la lame.
4. Retirez les 3 vis. Utilisez un tournevis plat ou cruciforme.

5. Retirez chaque lame et vis.
6. Fixez les nouvelles lames et vis.
7. Vérifiez que les lames bougent librement.

28 Dépannage

28.1 Dépannage

En cas de dysfonctionnement, un message d'erreur s'affiche à l'écran. Pour des informations plus détaillées sur les messages, reportez-vous au manuel d'utilisation complet sur le site Web d'Husqvarna (www.husqvarna.com). Si le même message s'affiche fréquemment ou si vous ne parvenez toujours pas à trouver l'origine du problème, contactez votre revendeur.

Les coupures de la boucle de câble sont généralement le résultat de dégâts physiques accidentels sur le câble, provoqués par exemple par le jardinage avec une pelle. Les coupures peuvent aussi être dues à une tension excessive du câble pendant l'installation. La coupure d'un câble peut être localisée en diminuant graduellement de moitié la longueur de la boucle où la panne peut se trouver, jusqu'à ce qu'il ne reste qu'une partie très courte du câble. Reportez-vous au manuel d'utilisation complet sur le site Web d'Husqvarna (www.husqvarna.com).

28.1.1 Voyant de la station de charge

Le voyant de la station de charge doit émettre une lumière verte fixe ou clignotante pour indiquer que l'installation est totalement fonctionnelle. Si ce n'est pas le cas, suivez le guide de dépannage ci-dessous.

Vous trouverez une aide plus approfondie sur www.husqvarna.com. Si vous avez besoin d'une aide supplémentaire, contactez votre représentant Husqvarna local.

Voyant	Cause	Action
<i>Lumière verte fixe</i>	Signaux OK	Aucune action requise
<i>Lumière verte clignotante</i>	Signaux OK et <i>mode ECO</i> activé.	Aucune action requise. Pour plus d'informations sur le <i>mode ECO</i> , consultez la section <i>Manuel d'utilisation complet à la page 51</i> .
<i>Lumière bleue clignotante</i>	Le câble périphérique n'est pas raccordé à la station de charge.	Vérifiez si les connecteurs du câble périphérique sont correctement montés sur la station de charge. Consultez la section <i>Manuel d'utilisation complet à la page 51</i> .
	Coupure du câble périphérique.	Trouvez l'emplacement de la coupure du câble. Remplacez la partie endommagée de la boucle par un nouveau câble et utilisez un raccord d'origine pour la rallonger.
<i>Lumière rouge clignotante</i>	Interruption du signal de l'antenne de la station de charge.	Contactez votre représentant Husqvarna local.
<i>Lumière rouge fixe</i>	Défaut de la carte électronique ou mauvaise alimentation électrique au niveau de la station de charge. Ce problème doit être pris en charge et réglé par un technicien d'entretien agréé.	Contactez votre représentant Husqvarna local.

29 Transport, entreposage et mise au rebut

29.1 Transport

Les batteries lithium-ion contenues sont soumises aux exigences de la législation concernant les marchandises dangereuses. Lors du transport commercial (p. ex., par un transporteur tiers ou un agent de transit), des exigences spéciales doivent être respectées sur les emballages et étiquettes. Consultez un expert en matière dangereuse pour préparer l'élément à expédier. Veuillez également respecter les réglementations nationales plus strictes éventuellement applicables.

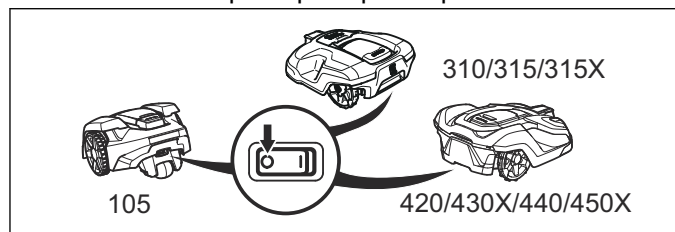
Bouchez les contacts ouverts à l'aide de ruban adhésif et emballez la batterie de façon à ce qu'elle ne puisse pas bouger dans l'emballage. Attachez toujours le produit lors de son transport.

29.1.1 Soulever et déplacer le robot de tonte

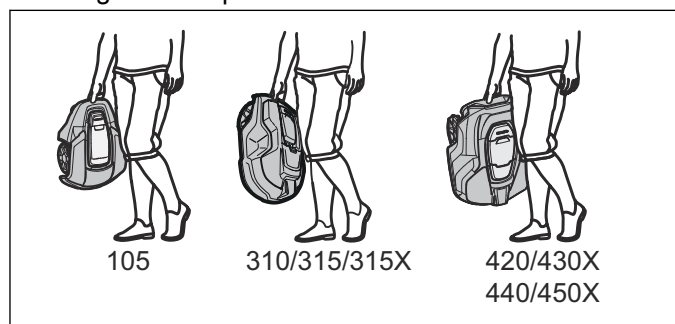
Pour s'éloigner en toute sécurité de la zone de tonte ou s'y déplacer :

1. Appuyez sur le bouton **STOP** pour arrêter le robot tondeuse. Si la sécurité est définie au niveau moyen ou élevé (voir *Manuel d'utilisation complet à la page 51*) vous devez saisir le code PIN. Composé de quatre chiffres, le code PIN est défini lors de la première mise en marche du robot tondeuse. Consultez la section *Manuel d'utilisation complet à la page 51*.

2. Placez l'interrupteur principal en position 0.



3. Transportez le robot de tonte en utilisant la poignée en dessous de ce dernier, avec le disque de coupe éloigné du corps.



REMARQUE: Ne soulevez pas le robot de tonte lorsqu'il est garé dans la station de charge. Cela peut endommager la station de charge et/ou le robot de tonte. Appuyez sur **STOP** et tirez sur le robot de tonte pour le sortir de la station de charge avant de le soulever.

29.2 Remisage hivernal

29.2.1 Le robot de tonte

Nettoyez soigneusement le robot de tonte avant de la remettre pour la période hivernale. Consultez la section *Nettoyage à la page 66*.

Pour garantir la fonctionnalité et la durée de vie de la batterie, il est important de charger le robot de tonte avant de le remettre pendant l'hiver. Placez le robot de tonte dans la station de charge en laissant le capot ouvert, jusqu'à ce que l'icône de batterie sur l'écran indique que la batterie est complètement chargée. Mettez ensuite l'interrupteur principal en position 0.

Vérifiez l'état des consommables, comme les lames et les roulements de la roue arrière. Remplacez-les si nécessaire pour garantir le bon état du robot de tonte avant la saison suivante.

Remisez le robot de tonte posé sur ses roues et mettez-le dans un endroit sec, à l'abri du gel, de préférence dans son emballage d'origine. Vous pouvez également accrocher le robot de tonte sur un support mural Husqvarna d'origine. Contactez votre représentant Husqvarna local pour plus d'informations sur les supports muraux.



REMARQUE: La batterie doit être chargée complètement avant le stockage hivernal. Si la batterie n'est pas complètement chargée, cela pourrait l'endommager ou la rendre inutilisable.

29.2.2 La station de charge

Stockez la station de charge et l'alimentation électrique à l'intérieur. Le câble périphérique et le câble guide peuvent rester dans le sol.

1. Débranchez l'alimentation de la station de charge.
2. Déverrouillez le connecteur et tirez dessus pour l'extraire.
3. Déconnectez les contacts des câbles périphérique et guide de la station de charge.

Protégez les extrémités des câbles de l'humidité en les mettant par exemple dans un contenant avec de la graisse.

S'il n'est pas possible de ranger la station de charge à l'intérieur, elle doit rester connectée au secteur, au câble périphérique et aux câbles guides tout l'hiver.

29.3 Informations environnementales



Le symbole sur le robot de tonte Husqvarna indique que ce produit ne peut pas être traité comme un déchet ménager ordinaire. Il convient plutôt de l'envoyer dans un centre de recyclage adapté pour y faire recycler ses composants électroniques et ses batteries. La batterie doit être retirée du produit avant de mettre celui-ci au rebut.

Pour le démontage de la batterie, consultez le manuel d'utilisation complet sur le site Web d'Husqvarna.

En prenant correctement soin de ce produit, vous contribuez à compenser l'éventuel effet négatif sur l'environnement et les personnes, qui autrement pourrait être engendré par la mauvaise gestion de la mise au rebut du produit.

Pour obtenir de plus amples informations sur le recyclage de ce produit, contactez votre municipalité, votre service des ordures ménagères ou le magasin où vous avez acheté ce produit.

30 Caractéristiques techniques

30.1 Automower 105/310/315/315X

Dimensions	Automower 105	Automower 310	Automower 315	Automower 315X
Longueur, cm	55	63	63	63
Largeur, cm	39	51	51	51
Hauteur, cm	25	25	25	25
Poids, kg	6,9	9,2	9,2	10,1

Système électrique	Automower 105	Automower 310	Automower 315	Automower 315X
Batterie lithium-ion, 18 V/2,1 Ah N°	586 57 62-01, 586 57 62-02	584 85 28-01, 584 85 28-02	584 85 28-01, 584 85 28-02	584 85 28-01, 584 85 28-02
Alimentation, V/28 V CC	100-240	100-240	100-240	100-240
Longueur de câble basse tension, m	10	10	10	10
Consommation d'énergie moyenne à une utilisation maximale				
Courant de charge, A CC	1.3	1.3	1.3	1.3
Temps de tonte moyen, min	65	70	70	70
Temps de charge moyen, min	50	60	60	60

Antenne du câble périphérique	Automower 105	Automower 310	Automower 315	Automower 315X
Bande de fréquence d'exploitation, Hz	300-80 000	300-80 000	300-80 000	300-80 000
Puissance de radiofréquence maximale, mW @60 m ³⁷	<25	<25	<25	<25

Émissions sonores dans l'environnement mesurées en tant que puissance acoustique ³⁸	Automower 105	Automower 310	Automower 315	Automower 315X
Niveau de puissance acoustique mesuré, dB(A)	58	58	58	58
	3	2	2	2
Puissance acoustique garantie	61	60	60	60
Niveau de pression sonore à l'oreille de l'utilisateur, dB(A) ³⁹	47	47	47	47

³⁷ Puissance de sortie active maximum au niveau des antennes dans la bande de fréquence dans laquelle l'équipement radio fonctionne.

³⁸ La déclaration sur les émissions sonores est conforme à la norme EN 50636-2-107:2015. Émissions sonores dans l'environnement mesurées en tant que puissance acoustique (L_{WA}) selon la directive européenne 2000/14/CE. La puissance acoustique garantie comprend une variation dans la production ainsi qu'une variation du code du test de 1-3 dB(A).

³⁹ Incertitudes de pression sonore K_{pA} , 2 à 4 dB (A)

Tonte	Automower 105	Automower 310	Automower 315	Automower 315X
Système de coupe	3 trois lames de coupe pivotantes			
Vitesse du moteur de coupe, tr/min	2 900	2 300	2 300	2 300
Consommation d'énergie pendant la coupe, W +/- 20 %	20	25	25	25
Hauteur de coupe, cm	2-5	2-6	2-6	2-6
Largeur de coupe, cm	17	22	22	22
Passage le plus étroit possible, cm	60	60	60	60
Angle maximum de zone de tonte, %	25	40	40	40
Angle maximum du câble périphérique, %	15	15	15	15
Longueur maximale du câble périphérique, m	400	800	800	800
Longueur maximale du câble guide, m	200	400	400	400
Capacité de fonctionnement, m ² +/- 20 %	600	1 000	1 500	1 600

Classification IP	Automower 105	Automower 310	Automower 315	Automower 315X
Robot tondeuse	IPX4	IPX4	IPX4	IPX4
Station de charge	IPX1	IPX1	IPX1	IPX1
Alimentation électrique	IPX4	IPX4	IPX4	IPX4

Husqvarna AB ne garantit en aucun cas la compatibilité totale entre le robot de tonte et d'autres types de dispositif sans fil comme des télécommandes, des transmetteurs radio, des boucles d'écoute, des clôtures électrifiées enterrées pour animaux ou autres.

30.2 Automower 420/430X/440/450X

Dimensions	Automower 420	Automower 430X	Automower 440	Automower 450X
Longueur, cm	72	72	72	72
Largeur, cm	56	56	56	56
Hauteur, cm	31	31	31	31
Poids, kg	11,5	13,2	12,0	13,9

Système électrique	Automower 420	Automower 430X	Automower 440	Automower 450X
Batterie lithium-ion, 18 V/2,1 Ah N°	580 68 33-01, 580 68 33-02	588 14 64-01		
Alimentation, V/28 V CC	100-240	100-240	100-240	100-240
Longueur de câble basse tension, m	10	10	10	10
Consommation d'énergie moyenne à une utilisation maximale				
Courant de charge, A CC	2.2	4.2	7	7
Temps de tonte moyen, min	75	145	290	270
Temps de charge moyen, min	50	50	60	60

Antenne du câble périphérique	Automower 420	Automower 430X	Automower 440	Automower 450X
Bande de fréquence d'exploitation, Hz	300-80 000	300-80 000	300-80 000	300-80 000
⁴⁰	<25	<25	<25	<25

Émissions sonores dans l'environnement mesurées en tant que puissance acoustique ⁴¹	Automower 420	Automower 430X	Automower 440	Automower 450X
	57	57	56	58
	1	1	1	1
Puissance acoustique garantie	58	58	56	59
⁴²	46	46	45	47

Tonte	Automower 420	Automower 430X	Automower 440	Automower 450X
Système de coupe	3 trois lames de coupe pivotantes			
Vitesse du moteur de coupe, tr/min	2 300	2 300	2 300	2 300
Consommation d'énergie pendant la coupe, W +/- 20 %	30	30	30	35
Hauteur de coupe, cm	2-6	2-6	2-6	2-6
Largeur de coupe, cm	24	24	24	24
Passage le plus étroit possible, cm	60	60	60	60
Angle maximum de zone de tonte, %	45	45	45	45
Angle maximum du câble périphérique, %	15	15	15	15
Longueur maximale du câble périphérique, m	800	800	800	800
Longueur maximale du câble guide, m	400	400	400	400
Capacité de fonctionnement, m ² +/- 20 %	2 200	3 200	4 000	5 000

Classification IP	Automower 420	Automower 430X	Automower 440	Automower 450X
Robot tondeuse	IPX4	IPX4	IPX4	IPX4
Station de charge	IPX1	IPX1	IPX1	IPX1
Alimentation électrique	IPX4	IPX4	IPX4	IPX4

Husqvarna AB ne garantit en aucun cas la compatibilité totale entre le robot de tonte et d'autres types de dispositif sans fil comme des télécommandes, des transmetteurs radio, des boucles d'écoute, des clôtures électrifiées enterrées pour animaux ou autres.

⁴⁰ Puissance de sortie active maximum au niveau des antennes dans la bande de fréquence dans laquelle l'équipement radio fonctionne.

⁴¹ La déclaration sur les émissions sonores est conforme à la norme EN 50636-2-107:2015. Émissions sonores dans l'environnement mesurées en tant que puissance acoustique (L_{WA}) selon la directive européenne 2000/14/CE. La puissance acoustique garantie comprend une variation dans la production ainsi qu'une variation du code du test de 1-3 dB(A).

⁴² Incertitudes de pression sonore K_{pA} , 2 à 4 dB (A)

31.1 Conditions de garantie

Husqvarna garantit le fonctionnement de ce produit pendant deux ans (à compter de la date d'achat). Cette garantie couvre les pannes graves liées aux matériaux ou vices de fabrication. Pendant la période de garantie, nous remplacerons le produit ou le réparerons sans frais supplémentaires si les conditions suivantes sont remplies :

- Le robot de tonte et la station de charge ne peuvent être utilisés que conformément aux instructions de ce manuel d'utilisation. La présente garantie n'aura aucun effet sur les réclamations formulées par l'utilisateur à l'encontre du revendeur/fournisseur.
- Les utilisateurs ou tiers non autorisés ne doivent en aucun cas essayer d'effectuer des réparations sur le produit.

Exemples de pannes non couvertes par la garantie :

- Dommages causés par l'infiltration d'eau sous le robot de tonte. Ce dommage est généralement causé par les systèmes de lavage ou d'irrigation ou les trous/creux de la zone de tonte dans lesquels se forment des flaques d'eau lorsqu'il pleut.
- Dommages provoqués par la foudre.
- Dommages causés par un stockage inapproprié ou une manipulation incorrecte de la batterie.
- Dommages provoqués par l'utilisation d'une batterie qui ne serait pas d'origine Husqvarna.
- Dommages provoqués par l'utilisation de pièces de rechange et d'accessoires autres que ceux d'origine Husqvarna, tels que les lames et le matériel d'installation.
- Dommages sur la boucle du câble.
- Dommages causés par des changements ou modifications non-autorisés sur le produit ou sur son alimentation.

Les lames sont considérées comme des éléments consommables et ne sont pas couvertes par la garantie.

Si une erreur survient avec le robot de tonte Husqvarna, contactez votre représentant Husqvarna local pour de plus amples instructions. Gardez le reçu et le numéro de série du robot de tonte à portée de main lorsque vous contactez votre représentant Husqvarna local.

32 Déclaration de conformité CE

32.1 Déclaration de conformité CE

Nous, **Husqvarna AB**, SE-561 82 Huskvarna, Suède, tél. : +46-36-146500, déclarons que les robots de tonte **Husqvarna Automower® 105**, **Husqvarna Automower® 310**, **Husqvarna Automower® 315**, **Husqvarna Automower® 315X**, **Husqvarna Automower® 420**, **Husqvarna Automower® 430X**, **Husqvarna Automower® 440** et **Husqvarna Automower® 450X** à partir des numéros de série de l'année 2017 semaine 36 et ultérieurs (l'année est clairement indiquée sur la plaque signalétique et suivie du numéro de série), sont conformes aux dispositions de la DIRECTIVE DU CONSEIL :

- Directive « Machines » **2006/42/CE**.
 - Exigences particulières relatives aux robots tondeuses électriques alimentés par batterie **EN 50636-2-107 : 2015**.
 - Champs électromagnétiques **EN 62233 : 2008**.
- Directive **2011/65/UE** relative à la limitation de l'utilisation de certaines substances dangereuses.
- Directive **2000/14/CE** relative aux émissions sonores des matériels utilisés à l'extérieur des bâtiments. Pour de plus amples informations sur les émissions sonores et la largeur de tonte, consultez également la section *Caractéristiques techniques à la page 71*.

Husqvarna Automower® 105 (certificat 01/901/176) : L'organisme certifié 0404, SMP Svensk Maskinprovning AB, Fyrisborgsgatan 3, SE-754 50 Uppsala, Sweden, a délivré un rapport concernant l'évaluation de la conformité selon l'annexe VI de la Directive du Conseil 2000/14/CE du 8 mai 2000 « relative aux émissions sonores dans l'environnement ».

Husqvarna Automower® 310/315 (certificat 01/901/225), **Husqvarna Automower® 315X** (certificat 01/901/286) et **Husqvarna Automower® 420/430X/440/450X** (certificat 01/901/201): L'organisme certifié 0404, SMP Svensk Maskinprovning AB, Box 7035, SE-750 07 Uppsala, Sweden, a délivré un rapport concernant l'évaluation de la conformité selon l'annexe VI de la Directive du Conseil 2000/14/CE du 8 mai 2000 « relative aux émissions sonores dans l'environnement ».

- Directive relative aux équipements radio **2014/53/UE**. Les normes harmonisées suivantes ont été appliquées :

- **Version finale 303 447 V1.1.1 (2017-06)**

Compatibilité électromagnétique :

- **ETSI EN 301 489-1 v 2.2.0**

Pour les modèles **Husqvarna Automower® 310**, **Husqvarna Automower® 315**, **Husqvarna Automower® 315X**, **Husqvarna Automower® 420**, **Husqvarna Automower® 430X**, **Husqvarna Automower® 440** et **Husqvarna Automower® 450X**

équipés du module **Automower® Connect** également :

- **EN 301 489-52 V1.1.1**
- **EN 301 511 V9.0.2** (Efficacité du spectre radioélectrique)

Pour les modèles **Husqvarna Automower® 310**, **Husqvarna Automower® 315**, **Husqvarna Automower® 420** et **Husqvarna Automower® 440** également :

- **EN 300 328 Brouillon V2.1.1**



Husqvarna 2017-09-01

Lars Roos

Global R&D Director, Electric category

(Représentant autorisé Husqvarna AB et responsable de la documentation technique.)

Sommario

34 Introduzione

34.1 Promemoria.....	77
34.2 Descrizione dell'apparecchio.....	77
34.3 Capacità.....	77
34.4 Tecnica di taglio.....	77
34.5 Metodo di lavoro.....	77
34.6 Movimento tipico.....	78
34.7 Individuazione della stazione di ricarica.....	78
34.8 Panoramica del prodotto Automower 105.....	79
34.9 Panoramica del prodotto Automower 310/315/315X.....	80
34.10 Panoramica del prodotto Automower 420/430X/440/450X.....	81
34.11 Simboli riportati sul prodotto.....	82

35 Sicurezza

35.1 Istruzioni di sicurezza generali.....	83
35.2 Uso.....	83

36 Installazione

36.1 Collegamento dell'alimentatore.....	85
36.2 Pannello di comando.....	85
36.3 Display Automower 105.....	85
36.4 Tastiera Automower 105.....	85
36.5 Display Automower 310/315/315X/420/430X/ 440/450X.....	86
36.6 Tastiera Automower 310/315/315X/ 420/430X/440/450X.....	86
36.7 Struttura dei menu.....	87
36.8 Sottomenu.....	87
36.9 Esplorazione dei menu.....	87
36.10 Menu principale.....	87

37 Funzionamento

37.1 Selezione della modalità operativa Automower 105.....	89
37.2 Selezione operativa STARTAutomower 310/315/315X/420/430X/440/450X.....	89
37.3 Selezione della modalità operativa Park Automower 310/315/315X/420/430X/440/450X.....	89
37.4 Connettività.....	89
37.5 Regolazione dell'altezza di taglio.....	90

38 Manutenzione

38.1 Pulizia.....	92
38.2 Batteria.....	92
38.3 Sostituzione delle lame.....	92

39 Anomalie di funzionamento

39.1 Anomalie di funzionamento.....	94
-------------------------------------	----

40 Trasporto, stoccaggio e smaltimento

40.1 Trasporto.....	95
40.2 Rimessaggio invernale.....	95
40.3 Informazioni di carattere ambientale.....	95

41 Dati tecnici

41.1 Automower 105/310/315/315X.....	97
41.2 Automower 420/430X/440/450X.....	98

42 Garanzia

42.1 Termini di garanzia.....	100
-------------------------------	-----

43 Dichiarazione di conformità CE

43.1 Dichiarazione CE di conformità.....	101
--	-----

34 Introduzione

34.1 Promemoria

Numero matricola:	
Codice PIN:	
Rivenditore:	
Numero di telefono del rivenditore:	

Se il robot rasaerba viene rubato, è importante informare Husqvarna dell'accaduto. Contattare il rappresentante locale Husqvarna e fornire il numero matricola del robot rasaerba perché venga registrato come rubato in un database internazionale. Si tratta di una fase importante della procedura di protezione dai furti dei robot rasaerba che permette di scoraggiare la compravendita di robot rasaerba rubati.

Il numero matricola del prodotto è composto da nove cifre ed è riportato sulla targhetta dati di funzionamento (sull'interno del portello) e sulla confezione del prodotto.

www.husqvarna.com

34.2 Descrizione dell'apparecchio

Complimenti per aver scelto un eccezionale prodotto di qualità. Per ottenere le migliori prestazioni dal vostro robot rasaerba Husqvarna, è necessario conoscerne il funzionamento. Il presente manuale operatore contiene brevi informazioni importanti sul robot rasaerba. Oltre al presente manuale operatore, sono disponibili video informativi con istruzioni sul sito Web Husqvarna, www.husqvarna.com.

Tenere presente che l'operatore è responsabile di eventuali incidenti o pericoli per gli altri o le cose.

Husqvarna applica una politica di sviluppo continuo dei propri prodotti e si riserva quindi il diritto di apportare, senza alcun preavviso, modifiche riguardanti il design, l'aspetto e le funzioni.

34.2.1 Manuale operatore completo

Il manuale operatore completo è disponibile Husqvarnasul sito webwww.husqvarna.com. È più dettagliato e contiene ulteriori informazioni, ad esempio istruzioni sull'installazione, manutenzione, risoluzione dei problemi e struttura dei menu.

34.3 Capacità

Il robot rasaerba è consigliato per prati di dimensioni fino a:

- 600 m²: Automower 105
- 1000 m²: Automower 310
- 1500 m²: Automower 315
- 1600 m²: Automower 315X
- 2200 m²: Automower 420
- 3200 m²: Automower 430X
- 4000 m²: Automower 440
- 5000 m²: Automower 450X

Le dimensioni dell'area che il robot rasaerba può gestire dipendono principalmente dalla condizione delle lame, dal tipo di erba e dal livello di crescita e umidità. Anche la forma del giardino è importante. Se il giardino è composto principalmente da aree di prato aperto, il robot rasaerba ha una capacità di taglio all'ora maggiore

rispetto a un giardino costituito da diversi piccoli prati, separati da alberi, aiuole di fiori e passaggi.

Un robot rasaerba a piena carica è in grado di falciare per circa 60-290 minuti, a seconda del modello, dell'età della batteria e della densità dell'erba. Il robot rasaerba quindi dovrà essere ricaricato per 50-90 minuti. Il tempo di ricarica può variare a seconda della temperatura ambiente o di altri fattori.

34.4 Tecnica di taglio

Il sistema di falciatura del robot rasaerba si basa su un principio efficace e a risparmio energetico. A differenza di molti rasaerba tradizionali, il robot rasaerba taglia l'erba, invece di strapparla. Questa frequente tecnica di taglio migliora la qualità dell'erba. Non è richiesta la raccolta dell'erba, inoltre i piccoli pezzi di erba tagliata riducono la necessità di fertilizzanti. Non comporta emissioni, è anche conveniente e il avrà sempre un aspetto curato.

Per ottenere un risultato ottimale si raccomanda di utilizzare principalmente il robot rasaerba in assenza di pioggia. Il robot rasaerba funziona anche in caso di pioggia, ma l'erba bagnata aderisce più facilmente alle lame, aumentando il rischio di scivolare su pendenze ripide.

Le lame devono essere in buone condizioni per ottenere il miglior risultato di falciatura. Per mantenere le lame taglienti il più a lungo possibile, è importante mantenere il prato sgombro da rami, sassi e altri oggetti.

Sostituire le lame regolarmente. Per informazioni sulla sostituzione delle lame, consultare il Manuale dell'operatore completo sul Husqvarnasito web (www.husqvarna.com).

34.5 Metodo di lavoro

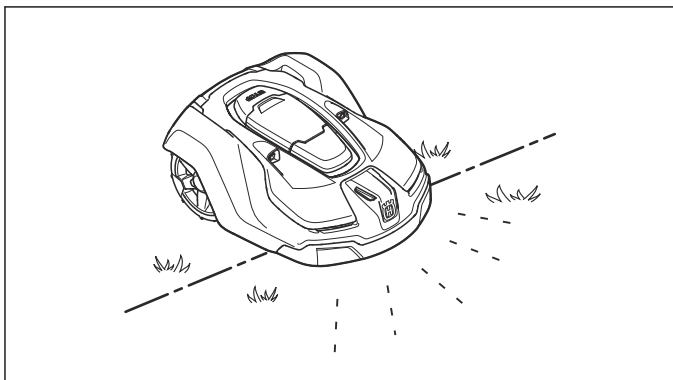
Eeguire la corretta e sicura installazione del cavo e del cavo guida. Per informazioni sulla sostituzione delle lame, consultare il Manuale dell'operatore completo sul sito WebHusqvarna.

Il robot rasaerba falcia il prato automaticamente, alternando continuamente il taglio alla ricarica. Il robot

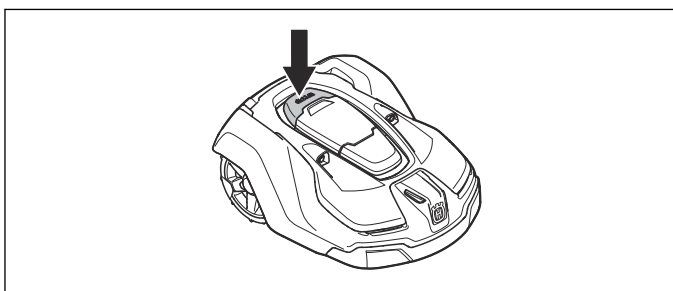
rasaerba inizia a cercare la stazione di ricarica quando il livello di carica della batteria risulta troppo basso. Il robot rasaerba non taglia quando è alla ricerca della stazione di ricarica.

Automower 315X/430X/450X Utilizzare la navigazione assistita da GPS per iniziare a falciare una zona del giardino dove di recente non è passato. Per gli altri modelli potrebbe essere necessario configurare le impostazioni di uscita manuali per assicurare la falciatura uniforme del prato, consultare il manuale operatore completo sul Husqvarnasito web.

Quando il corpo incontra un ostacolo o si avvicina al cavo perimetrale, il robot rasaerba fa marcia indietro e sceglie una nuova direzione. Sensori anteriori e posteriori rilevano l'avvicinamento del robot rasaerba al cavo perimetrale. La parte anteriore del robot rasaerba oltrepassa sempre il cavo perimetrale di una distanza specifica prima che il rasaerba si volti. Se necessario, la distanza può essere modificata per adattare l'installazione.



Il pulsante **STOP**, situato sulla parte superiore del robot rasaerba, è utilizzato principalmente per arrestare il robot rasaerba quando è in funzione. Quando si preme il pulsante **STOP** si apre un portello dietro il quale è presente un pannello di comando. Il pulsante **STOP** rimane premuto fino a quando il portello non si chiude nuovamente. Insieme al pulsante **START** funge da inibitore dell'avviamento.



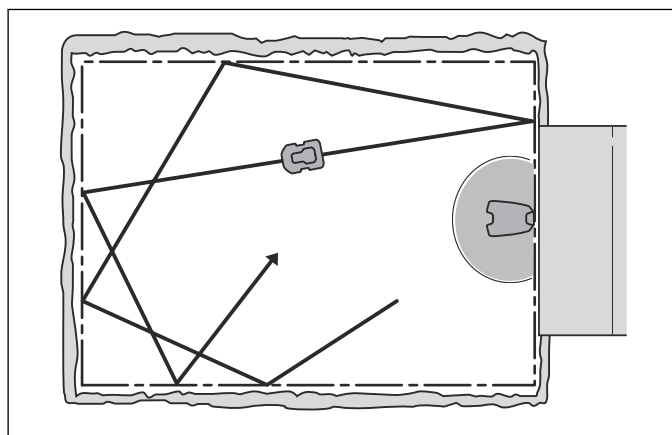
Nota: Per avviare il robot rasaerba, premere sempre il pulsante **START** prima di chiudere il portello. Se il pulsante **START** non viene premuto, si sente un segnale acustico e il robot rasaerba non entra in funzione.

Il pannello di comando situato nella parte superiore del robot rasaerba consente di gestire tutte le impostazioni del robot stesso.

Quando l'interruttore principale è impostato su *1* per la prima volta, inizia una sequenza di avvio che include una serie di importanti messe a punto iniziali, *vedere Primo avviamento e calibratura* nel Manuale operatore completo sul Husqvarnasito web.

34.6 Movimento tipico

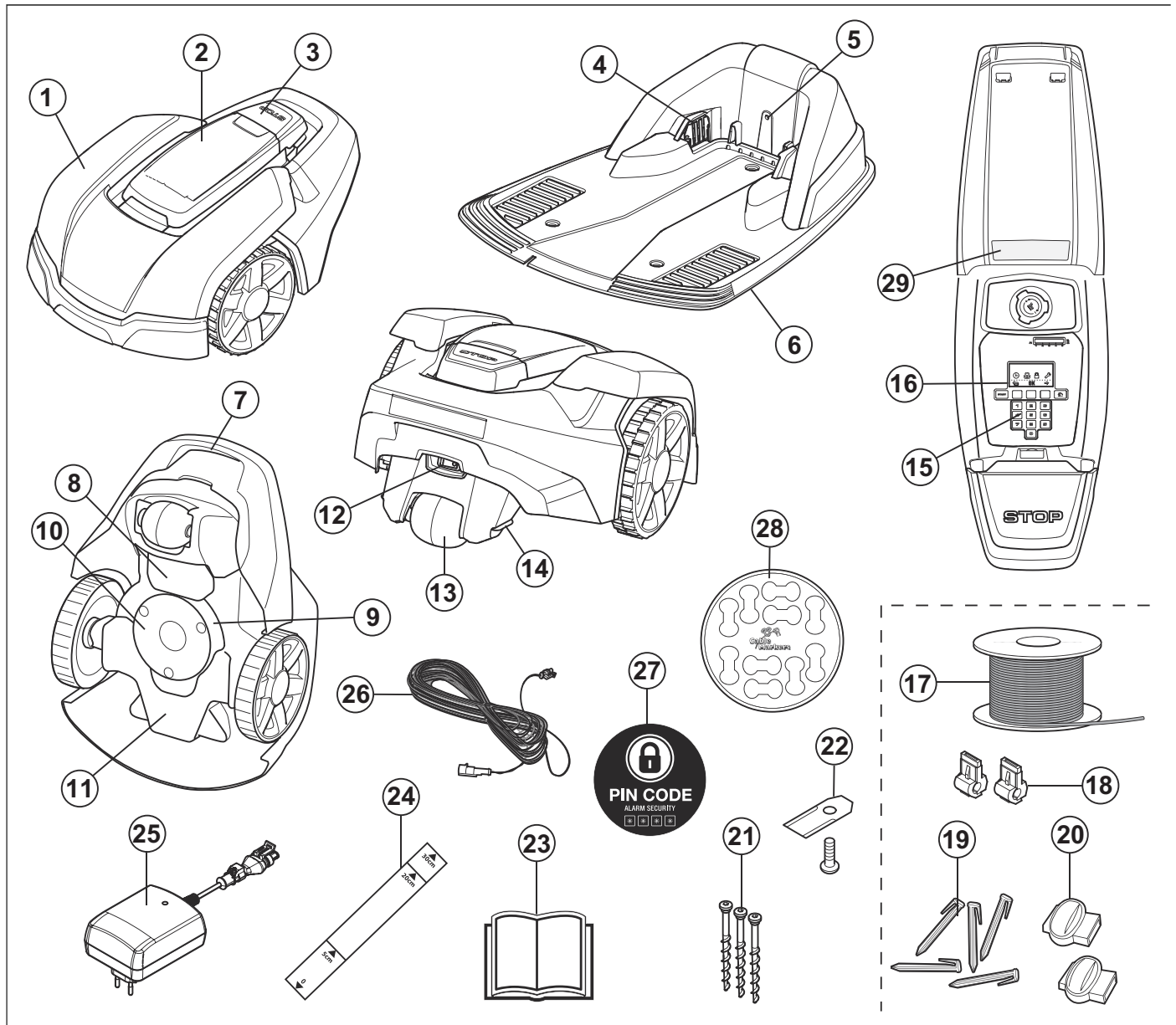
Il movimento tipico del robot rasaerba è casuale, il che significa che i movimenti effettuati non vengono mai ripetuti. Grazie al sistema di taglio, il robot rasaerba taglia il prato in maniera uniforme senza lasciare segni.



34.7 Individuazione della stazione di ricarica

È possibile impostare Automower 310/315/315X/420/430X/440/450X per cercare la stazione di ricarica in uno o più modi, tra 3 modalità diverse. Il robot rasaerba combina automaticamente questi tre metodi di ricerca per individuare la stazione di ricarica il più velocemente possibile, ma anche per lasciare meno solchi possibili. Automower 105 segue sempre il cavo guida per trovare la stazione di ricarica..

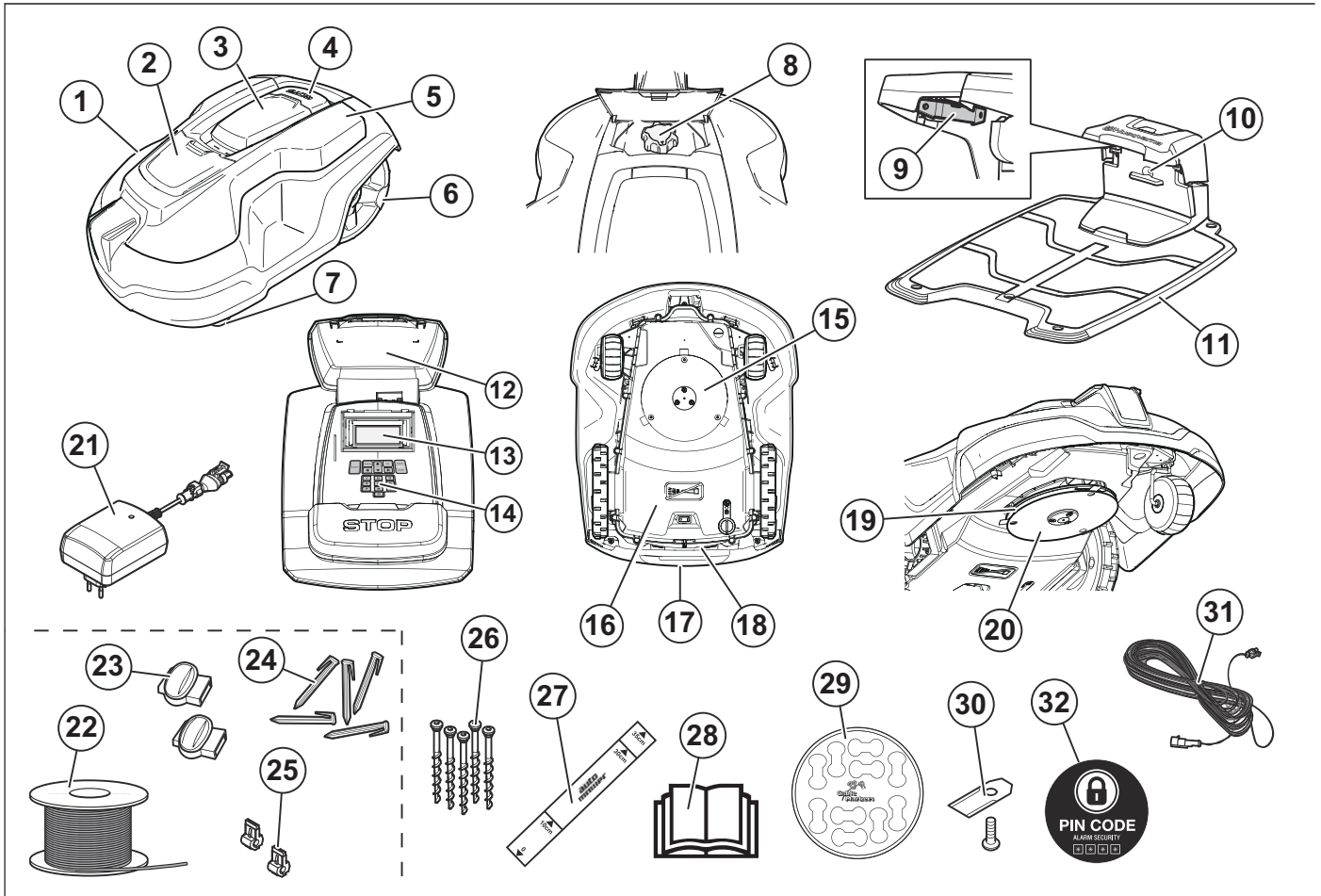
34.8 Panoramica del prodotto Automower 105



I numeri in figura rappresentano:

- | | |
|---|---|
| 1. Scocca | 16. Display |
| 2. Coperchio per display, tastiera e regolazione dell'altezza di taglio | 17. Rotolo di cavo per cavo perimetrale e cavo guida |
| 3. Pulsante di arresto | 18. Connettore per il collegamento del cavo con la stazione di ricarica |
| 4. Lamelle di contatto | 19. Picchetti |
| 5. LED per il controllo del funzionamento della stazione di ricarica, del cavo perimetrale e del cavo guida | 20. Giunto per cavo |
| 6. Stazione di ricarica | 21. Viti per il fissaggio della stazione di ricarica |
| 7. Impugnatura | 22. Lame extra |
| 8. Sportello del vano batterie | 23. Manuale operatore e Guida rapida |
| 9. Disco lame | 24. Astina di misurazione per facilitare l'installazione del cavo perimetrale (l'astina di misurazione è separata dalla confezione) |
| 10. Piastra sottodisco libera | 25. Alimentatore (l'aspetto dell'alimentatore può essere diverso a seconda del mercato) |
| 11. Scatola telaio con elettronica, batteria e motori | 26. Cavo a bassa tensione |
| 12. Interruttore principale | 27. Decalcomania allarme |
| 13. Ruota posteriore | 28. Etichette cavi |
| 14. Lamella di ricarica | 29. Targhetta dati di funzionamento |
| 15. Tastiera | |

34.9 Panoramica del prodotto Automower 310/315/315X



I numeri in figura rappresentano:

- | | |
|---|--|
| <ul style="list-style-type: none"> 1. Scocca 2. Portello per la regolazione dell'altezza di taglio 3. Portello per display e tastiera 4. Pulsante di arresto 5. Coperchio sostituibile 6. Ruote posteriori 7. Ruote anteriori 8. Regolazione dell'altezza di taglio 9. Lamelle di contatto 10. LED per il controllo del funzionamento della stazione di ricarica e del cavo perimetrale 11. Stazione di ricarica 12. Targhetta dati di funzionamento 13. Display 14. Tastiera 15. Apparato di taglio 16. Scatola telaio con elettronica, batteria e motori 17. Impugnatura | <ul style="list-style-type: none"> 18. Interruttore principale 19. Disco lame 20. Piastra sottodisco libera 21. Alimentatore (l'aspetto dell'alimentatore può essere diverso a seconda del mercato) 22. Rotolo di cavo per cavo perimetrale e cavo guida ⁴³ 23. Giunti per cavo ⁴⁴ 24. Picchetti ⁴⁵ 25. Connettore per cavo perimetrale ⁴⁶ 26. Viti per il fissaggio della stazione di ricarica 27. Astina di misurazione per facilitare l'installazione del cavo perimetrale (l'astina di misurazione è separata dalla confezione) 28. Manuale operatore e Guida rapida 29. Etichette cavi 30. Lame extra 31. Cavo a bassa tensione 32. Decalcomania allarme |
|---|--|

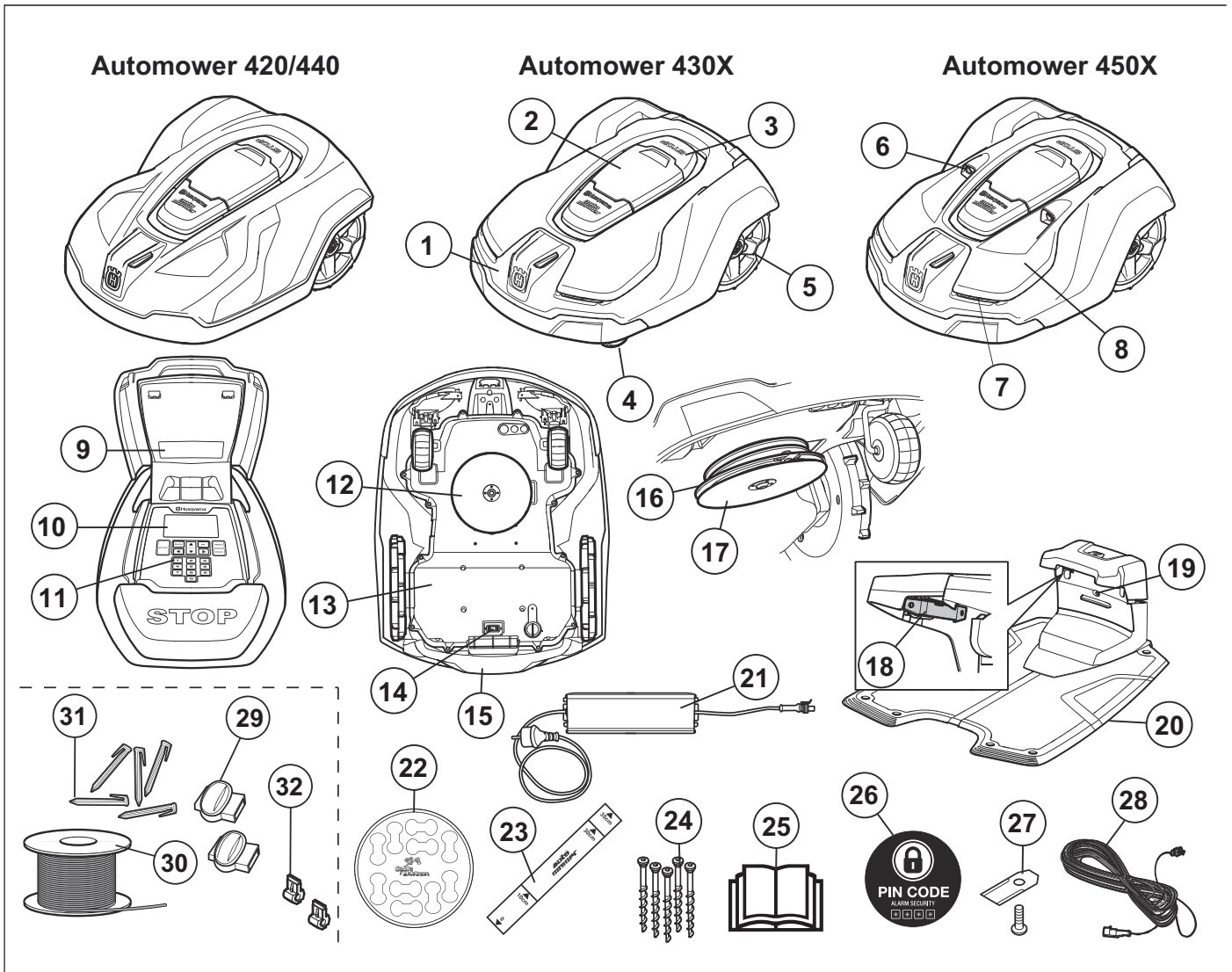
⁴³ Fa parte del kit di installazione che è acquistabile separatamente.

⁴⁴ Vedere nota 1

⁴⁵ Vedere nota 1

⁴⁶ Vedere nota 1

34.10 Panoramica del prodotto Automower 420/430X/440/450X



I numeri in figura rappresentano:

- | | |
|---|---|
| <ul style="list-style-type: none"> 1. Scocca 2. Portello per display e tastiera 3. Pulsante di arresto 4. Ruote anteriori 5. Ruote posteriori 6. Sensori a ultrasuoni 7. Fari anteriori 8. Coperchio sostituibile 9. Targhetta dati di funzionamento 10. Display 11. Tastiera 12. Apparato di taglio 13. Scatola telaio con elettronica, batteria e motori 14. Impugnatura 15. Interruttore principale 16. Disco lame 17. Piastra sottodisco libera 18. Lamelle di contatto | <ul style="list-style-type: none"> 19. LED per il controllo del funzionamento della stazione di ricarica e del cavo perimetrale 20. Stazione di ricarica 21. Alimentatore 22. Etichette cavi 23. Astina di misurazione per facilitare l'installazione del cavo perimetrale (l'astina di misurazione è separata dalla confezione) 24. Viti per il fissaggio della stazione di ricarica 25. Manuale operatore e Guida rapida 26. Decalcomania allarme 27. Lame extra 28. Cavo a bassa tensione 29. Giunti per cavo ⁴⁷ 30. Rotolo di cavo per cavo perimetrale e cavo guida ⁴⁸ 31. Picchetti ⁴⁹ 32. Connettore per cavo perimetrale ⁵⁰ |
|---|---|

⁴⁷ Fa parte del kit di installazione che è acquistabile separatamente.

⁴⁸ Vedere nota 1

⁴⁹ Vedere nota 1

⁵⁰ Vedere nota 1

34.11 Simboli riportati sul prodotto

Questi simboli sono reperibili sul robot rasaerba. Osservarli attentamente.



AVVERTENZA: Leggere le istruzioni d'uso prima di rimettere in funzione il robot rasaerba.



AVVERTENZA: Azionare il dispositivo inibitore prima di lavorare o sollevare la macchina.

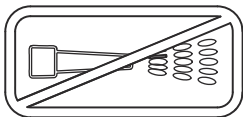
Il robot rasaerba si avvia solo quando l'interruttore principale è in posizione 1 ed è stato immesso il codice PIN corretto. Portare l'interruttore principale in posizione 0 prima di eseguire le ispezioni e/o la manutenzione.



AVVERTENZA: Mantenere una distanza di sicurezza dalla macchina quando è in funzione. Tenere mani e piedi lontani dalle lame rotanti.



AVVERTENZA: Non salire sulla macchina. Non avvicinare mai le mani o i piedi al corpo del rasaerba o al di sotto di esso.



Per la pulizia del robot rasaerba, non utilizzare mai dispositivi di lavaggio ad alta pressione, né acqua corrente.



Funzione di blocco



Il presente prodotto è conforme alle vigenti direttive CE.



Emissioni di rumore nell'ambiente circostante. Le emissioni del prodotto sono riportate nel capitolo *Dati tecnici alla pagina 97* e sulla targhetta dati di funzionamento.



Non è consentito smaltire questo prodotto come normale rifiuto domestico. Accertarsi che il prodotto sia riciclato nel rispetto dei requisiti di legge locali.



Il telaio contiene componenti sensibili alle scariche elettrostatiche (ESD). Il telaio deve inoltre essere richiuso in modo professionale. Per questi motivi, il telaio può essere aperto esclusivamente da tecnici dell'assistenza autorizzati. Una guarnizione rotta può invalidare totalmente o in parte la garanzia.



Il cavo a bassa tensione non deve essere accorciato o allungato o giuntato.

Non utilizzare un trimmer vicino al cavo a bassa tensione. Prestare la massima attenzione durante il taglio di bordi dove sono posizionati cavi.

Azionare il dispositivo inibitore prima di utilizzare o sollevare il prodotto.

35 Sicurezza

35.1 Istruzioni di sicurezza generali

Per facilitare la consultazione, nel manuale operatore vengono adottate le convenzioni tipografiche seguenti:

- Il testo scritto in *corsivo* indica messaggi riportati sul display del robot rasaerba o rimandi a un'altra sezione del manuale operatore.
- Le parole scritte in **grassetto** si riferiscono ai pulsanti presenti sulla tastiera del robot rasaerba.
- Le parole scritte in *MAIUSCOLO* e in *corsivo* fanno riferimento alle posizioni dell'interruttore principale e alle diverse modalità di funzionamento disponibili sul robot rasaerba.

35.1.1 IMPORTANTE. LEGGERE ATTENTAMENTE PRIMA DELL'USO. CONSERVARE COME RIFERIMENTO FUTURO

L'operatore è responsabile per eventuali incidenti o pericoli causati ad altre persone o ai loro beni.

Questo apparecchio non è destinato all'utilizzo da parte di persone (bambini inclusi) con ridotte capacità fisiche, sensoriali o mentali, oppure con mancanza di esperienza e conoscenza, a meno che non siano controllate o siano state istruite durante l'utilizzo da una persona responsabile della loro sicurezza. I bambini devono essere sorvegliati per evitare che giochino con l'apparecchio.

L'apparecchio può essere utilizzato da bambini di almeno 8 anni e da persone con capacità fisiche, sensoriali o mentali ridotte o che non abbiano esperienza o conoscenze previe, a patto che abbiano ricevuto assistenza o istruzioni per l'uso dell'apparecchio in modo sicuro e purché ne comprendano i rischi. Alcune normative locali possono limitare l'età dell'operatore. La pulizia e la manutenzione non devono essere eseguite da bambini senza la supervisione di adulti.

Non collegare mai l'alimentatore a una presa di corrente se la spina o il cavo sono danneggiati. I cavi danneggiati o usurati aumentano il rischio di scosse elettriche.

Caricare la batteria solo nella stazione di ricarica in dotazione. L'utilizzo errato può causare scosse elettriche, surriscaldamento o perdite di liquido corrosivo dalla batteria. In caso di perdite di elettrolita, sciacquare con acqua/agente neutralizzante, consultare un medico nel caso venisse a contatto con gli occhi.

Utilizzare solo le batterie originali consigliate dal produttore. La sicurezza del prodotto non può essere garantita con batterie non originali. Non utilizzare batterie non ricaricabili.

L'apparecchio deve essere scollegato dalla rete di alimentazione durante la rimozione della batteria.



AVVERTENZA: Il robot rasaerba può essere pericoloso se utilizzato in modo inappropriato.



AVVERTENZA: Non utilizzare mai il robot rasaerba se persone, in particolar modo bambini, o animali si trovano nell'area di taglio.



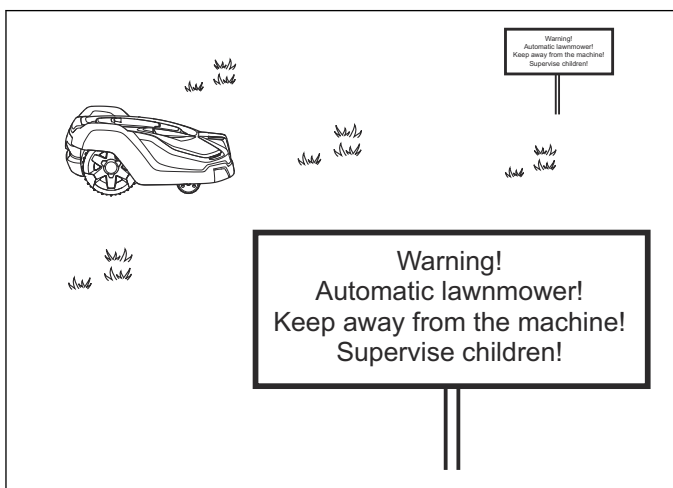
AVVERTENZA: Tenere mani e piedi lontani dalle lame rotanti. A motore acceso, non avvicinare mai le mani o i piedi al corpo del rasaerba o al di sotto di esso.

scrupolosamente alle istruzioni del produttore relative a funzionamento e manutenzione.

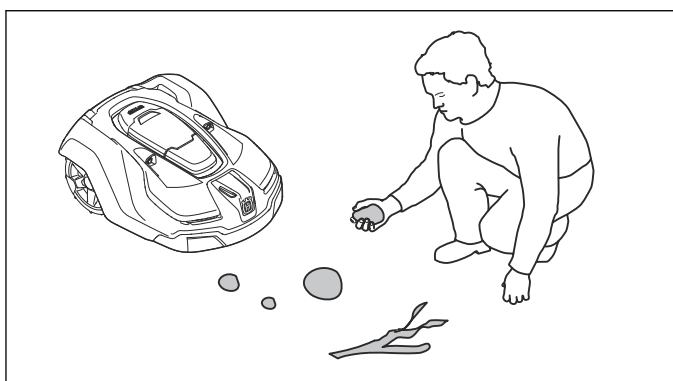
- I segnali di avvertenza devono essere collocati intorno all'area di lavoro del robot rasaerba se viene utilizzato nelle aree pubbliche. La segnaletica dovrà avere il seguente testo: **Avvertenza! Rasaerba automatico! Tenere i bambini lontani dalla macchina! Tenete sotto controllo i bambini!**

35.2 Uso

- Questo robot rasaerba è stato progettato per falciare l'erba su superfici aperte e su zone piane. Può essere utilizzato solo con le apparecchiature raccomandate dal produttore. Qualsiasi altro tipo di utilizzo è da considerarsi improprio. Attenersi



- Utilizzare la funzione **PARK** o disinserire l'interruttore principale del robot rasaerba se persone, in particolar modo bambini, o animali si trovano nell'area di taglio. Si consiglia di programmare il funzionamento del rasaerba durante gli orari nei quali nella zona non vengono svolte attività, ad esempio di notte.
- Il robot rasaerba può essere utilizzato, sottoposto a manutenzione e riparato solo da persone che abbiano totale dimestichezza con le sue specifiche caratteristiche e norme di sicurezza. Prima di usare il robot rasaerba, leggere attentamente il manuale dell'operatore e accertarsi di aver compreso le istruzioni.
- Non è consentito modificare il design originale del robot rasaerba. Tutte le modifiche sono a rischio e pericolo dell'utente.
- Controllare che non siano presenti pietre, rami, attrezzi, giocattoli o altri oggetti sul prato che possano danneggiare le lame. Eventuali oggetti sul prato possono anche causare il blocco del robot rasaerba e potrebbe essere necessario un intervento per rimuovere l'oggetto affinché il rasaerba ritorni a funzionare. Impostare sempre l'interruttore principale in posizione 0 prima di eliminare un'ostruzione.



- Avviare il robot rasaerba secondo le istruzioni. Quando l'interruttore principale è in posizione 1, accertarsi di tenere mani e piedi lontani dalle lame rotanti. Non mettere mai mani o piedi sotto il robot rasaerba.
- Non toccare le parti pericolose in movimento, come ad esempio il disco lame, se non sono completamente arrestate.

- Non sollevare mai il robot rasaerba, né trasportarlo, quando l'interruttore principale è in posizione 1.
- Non consentire l'utilizzo del robot rasaerba a persone che non ne conoscono il funzionamento e il comportamento.
- Non consentire mai che il robot rasaerba possa collidere con persone o animali. Se una persona o un altro essere vivente si trova sul percorso del rasaerba, fermarlo immediatamente.
- Non collocare alcun oggetto sul robot rasaerba o sulla relativa stazione di ricarica.
- In caso di guasto della protezione, del disco lame o del corpo falciatore, non consentire l'utilizzo del robot rasaerba. Inoltre, non utilizzare il rasaerba in caso di lame, viti, dadi o cavi difettosi. Non collegare mai un cavo danneggiato o toccare un cavo danneggiato prima che venga scollegato dall'alimentazione.
- Non utilizzare il robot rasaerba se l'interruttore principale non funziona.
- Quando non lo si utilizza, spegnere sempre il robot rasaerba con l'interruttore principale. Il robot rasaerba si avvia solo quando l'interruttore principale è in posizione 1 ed è stato immesso il codice PIN corretto.
- Il robot rasaerba non deve mai essere utilizzato quando è in funzione un irrigatore. In questo caso, utilizzare la funzione timer in modo che il rasaerba e l'irrigatore non funzionino contemporaneamente.
- Husqvarna non garantisce la completa compatibilità fra il robot rasaerba e altri tipi di sistemi wireless, quali telecomandi, trasmettitori radio, apparecchi acustici, recinti elettrici interrati per animali o simili.
- L'allarme integrato è molto rumoroso. Prestare attenzione, soprattutto se il robot rasaerba è utilizzato in ambienti chiusi.
- Oggetti metallici nel terreno (ad esempio cemento armato o reti contro le talpe) possono comportare un arresto. Gli oggetti metallici possono generare interferenze di segnale, con conseguente arresto.
- Il robot rasaerba non deve mai essere utilizzato con temperature inferiori a 0 °C o superiori a 50 °C; ciò potrebbe causare danni al prodotto.

36 Installazione

36.1 Collegamento dell'alimentatore

Nello scegliere la posizione dell'alimentatore, prendere in considerazione quanto segue:

- Vicinanza alla stazione di ricarica.
- Protezione dalla pioggia.
- Protezione dalla luce diretta del sole.

L'alimentatore deve essere posizionato in un luogo ben ventilato e sotto un tetto. Se l'alimentatore è collegato a una presa elettrica all'esterno, questa deve essere adatta all'uso all'aperto. Si consiglia l'uso di un interruttore di guasto verso terra (RCD) quando si collega l'alimentazione alla presa a parete.

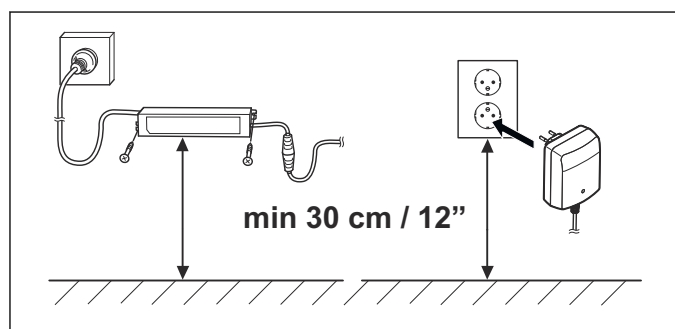


AVVERTENZA: Applicabile per Stati Uniti e Canada. Se l'alimentazione è installata all'aperto: Rischio di scosse elettriche. Installare solo ad una presa con protezione di Classe A GFCI (RCD) con involucro resistente alle intemperie con l'accessorio cappuccio inserito o rimosso.

Non modificare o manomettere alcuna parte dell'alimentatore. Ad esempio, non accorciare né allungare il cavo a bassa tensione. Cavi a bassa tensione di 3 o 20 m di lunghezza sono disponibili come accessori opzionali.



AVVERTENZA: Non montare, per alcun motivo, l'alimentatore a un'altezza in cui rischia di essere immerso in acqua (almeno 30 cm dal suolo). Non è consentito posizionare l'alimentatore a terra.



AVVERTENZA: Non modificare né manomettere per nessun motivo alcuna parte dell'alimentatore. Non accorciare o allungare il cavo a bassa tensione.



AVVERTENZA: Utilizzare la spina per scollegare la stazione di ricarica, ad esempio prima della pulizia della stazione di ricarica o della riparazione del cavo.



AVVERTENZA: Posizionare il cavo a bassa tensione e regolare l'altezza di taglio in modo

che le lame del disco non vengano mai a contatto con lo stesso.

Per ulteriori istruzioni su come eseguire un'installazione corretta, vedere il capitolo *Installazione* nel manuale dell'operatore completo sul sito WebHusqvarna.com.

36.2 Pannello di comando

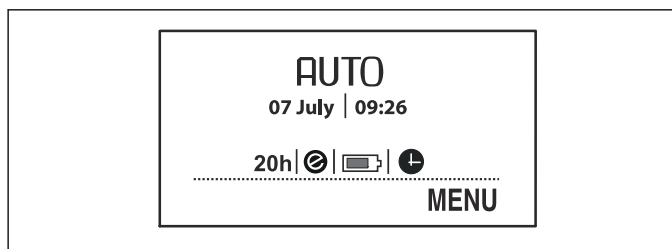
Tutti i comandi e le impostazioni del robot rasaerba avvengono mediante il pannello di comando. Tutte le funzioni sono accessibili tramite una serie di menu.

Il pannello di comando è costituito da un display e una tastiera. Tutte le informazioni vengono visualizzate sul display e l'immissione avviene tramite i pulsanti.

Nel manuale i testi visualizzati sul display sono in lingua inglese, mentre sul display del prodotto sono nella lingua scelta.

36.3 Display Automower 105

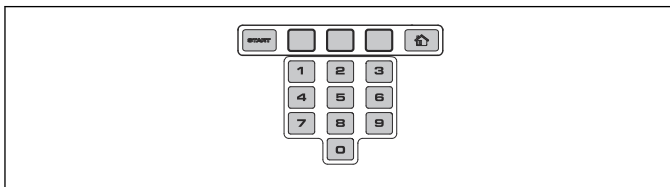
Quando è stato premuto il pulsante **STOP** e viene aperto il portello, viene visualizzata la finestra operativa contenente l'orologio, la modalità operativa selezionata, il numero di ore di taglio, lo stato della batteria e le impostazioni del timer.



- L'orologio mostra l'ora corrente.
- La data mostra il giorno corrente.
- Il numero di ore di funzionamento indica il numero di ore di esercizio del robot rasaerba a partire dal giorno di produzione. È considerato tempo di funzionamento, la durata di effettiva operatività del robot rasaerba o di ricerca della stazione di ricarica.
- *AUTO*, *MAN* o *HOME* indicano la modalità di funzionamento selezionata.
- Lo stato della batteria mostra la carica residua della batteria.
- Viene visualizzato il simbolo ECO se il robot rasaerba è impostato in *Modalità ECO*.
- L'orologio indica l'avvenuta configurazione delle impostazioni del timer. Il simbolo dell'orologio è nero quando il robot rasaerba non può tagliare l'erba a causa delle impostazioni del timer.
- La dicitura *MENU* indica che il menu principale può essere raggiunto premendo il pulsante a scelta multipla al di sotto del testo.

36.4 Tastiera Automower 105

La tastiera è formata da quattro gruppi di pulsanti:



- Il pulsante **START** viene utilizzato per attivare il robot rasaerba. Normalmente, è l'ultimo pulsante da premere prima di chiudere il portello.
- I tre pulsanti a **scelta multipla** offrono diverse funzioni, a seconda della posizione nella struttura dei menu in cui ci si trova. La funzione del pulsante è indicata nella parte inferiore del display.
- I **tasti numerici** servono, ad esempio, per immettere il codice PIN o le impostazioni dell'ora.
- Il **pulsante di selezione** della modalità operativa è rappresentato da una casa. Alla pressione del pulsante, la modalità operativa selezionata è visualizzata sul display.

36.5 Display Automower 310/315/315X/420/430X/440/450X

Quando è stato premuto il **pulsante di STOP** e il portello è aperto, viene visualizzata la pagina iniziale che mostra le seguenti informazioni.

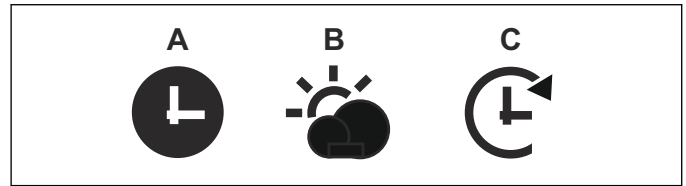


- Informazioni sul funzionamento ad es. *PRONTO*, *TAGLIO*, *PARCHEGGIO* o *TIMER*. *PRONTO* viene visualizzato se il robot rasaerba non si trova in una modalità operativa specifica, ad esempio se l'interruttore principale è stato appena acceso. Se viene premuto il pulsante **STOP** sul robot rasaerba viene visualizzata l'attività effettuata prima che fosse arrestato ad es. *TAGLIO* o *RICERCA*.
- Data e ora.
- Per Automower 315X/430X/450X: Il simbolo del satellite viene visualizzato quando è attiva la navigazione GPS. Il simbolo (A) viene visualizzato quando il robot rasaerba rileva un numero sufficiente di satelliti GPS. Il simbolo (B) viene visualizzato quando il robot rasaerba non rileva un numero sufficiente di satelliti GPS. Il simbolo (A) lampeggia durante i primi giorni di funzionamento del robot rasaerba, poiché sta raccogliendo informazioni GPS sull'installazione.

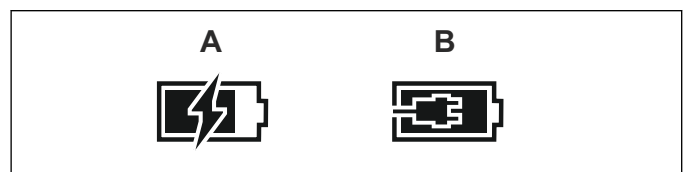


- Viene visualizzato il simbolo ECO se il robot rasaerba è impostato in *Modalità ECO*.

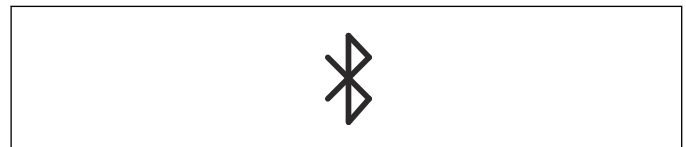
- Il simbolo dell'orologio nero (A) viene visualizzato quando il rasaerba non può tagliare l'erba a causa delle impostazioni del timer. Il simbolo (B) viene visualizzato se il rasaerba non può essere utilizzato a causa del *Timer stagionale*. Se si sceglie la modalità di funzionamento *Non considerare il timer*, viene visualizzato il simbolo (C).



- Lo stato della batteria mostra la carica residua della batteria. Se il robot rasaerba è in fase di carica, sopra il simbolo della batteria (A) compare un fulmine. Se il robot rasaerba viene posizionato nella stazione di carica senza però effettuare la ricarica, viene visualizzato il simbolo (B).

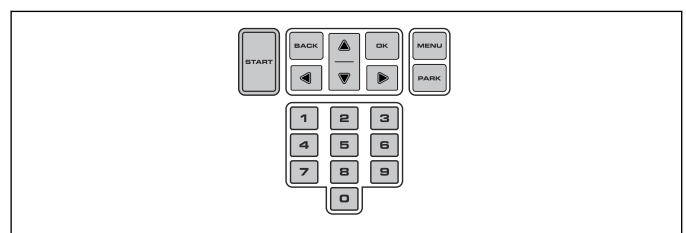


- L'impostazione di regolazione dell'altezza viene visualizzata come scala/valore numerico.
- Per Automower Connect@Home (vedere *Automower Connect@Home alla pagina 90*): Un'icona per Bluetooth® comunicazione wireless viene visualizzata nel display del robot rasaerba quando viene realizzata la connessione con lo smartphone.



36.6 Tastiera Automower 310/315/315X/420/430X/440/450X

La tastiera è formata da sei gruppi di pulsanti:



- Il pulsante **START** viene utilizzato per attivare il robot rasaerba. Normalmente, è l'ultimo pulsante da premere prima di chiudere il portello.
- I pulsanti **INDIETRO** e **OK** servono per spostarsi all'interno del menu. Il pulsante **OK** è utilizzato anche per confermare le impostazioni nel menu.
- I **tasti freccia** consentono di spostarsi nel menu e di selezionare alcune opzioni di impostazione.
- Il pulsante **MENU** consente di accedere al menu principale.
- Il pulsante **PARK** viene utilizzato per inviare il robot rasaerba alla stazione di ricarica.

- I **tasti numerici** servono per immettere le impostazioni, ad esempio, il codice PIN, l'ora o la direzione di uscita.

36.7 Struttura dei menu

Il menu principale del modello Automower 105 offre 4 opzioni. Automower 310 ha 6 opzioni e Automower 315/315X offre 7 opzioni. Il menu principale del modello Automower 420/430X/440/450X offre 8 opzioni.

36.8 Sottomenu

Sotto ogni opzione sono presenti diversi sottomenu, tramite i quali è possibile accedere a tutte le funzioni per regolare le impostazioni del robot rasaerba.

Alcuni sottomenu contengono opzioni contrassegnate da un segno di spunta a sinistra. Ciò significa che queste opzioni sono selezionate. Selezionare o deselezionare la casella premendo **OK**.

36.9 Esplorazione dei menu

Navigare nel menu principale e nei sottomenu con l'aiuto dei tasti a scelta multipla (Automower 105) o dei **tasti freccia** (Automower 310/315/315X/420/430X/440/450X). Immettere valori e orari con i tasti numerici e confermare ciascuna selezione con il pulsante a scelta multipla contrassegnato con **OK**. Premere **INDIETRO** per tornare indietro di un passo nel menu o tenere premuto **HOME** (Automower 105) e alternativamente **MENU** (Automower 310/315/315X/420/430X/440/450X) per 2 secondi per tornare direttamente al menu principale.

36.10 Menu principale



Timer

Il prato non dovrebbe essere tagliato troppo spesso per ottenere il miglior risultato di falciatura. Di conseguenza, è importante limitare il tempo di funzionamento con la funzione timer se l'area di lavoro è inferiore alla capacità di lavoro del robot rasaerba. Inoltre, la funzionalità del timer è il mezzo ideale per controllare in quali momenti il robot rasaerba non deve entrare in funzione, ad esempio quando i bambini stanno giocando in giardino.



Altezza di taglio

Applicabile per Automower 420/430X/440/450X

È possibile regolare l'altezza di taglio da MIN (1) a MAX (9). Nella prima settimana dopo una nuova installazione, l'altezza di taglio deve essere impostata su MAX per evitare di danneggiare il cavo. Dopo questo periodo, l'altezza di taglio può essere ridotta gradualmente ogni settimana fino a raggiungere l'altezza di taglio desiderata.



Sicurezza

In questo menu è possibile effettuare le impostazioni relative alla sicurezza e alla connessione tra robot rasaerba e stazione di ricarica. È possibile scegliere tra 3 livelli di sicurezza: *Bassa, Media, Alta*.



Messaggi

Applicabile per Automower 310/315/315X/420/430X/440/450X

In questo menu possono essere consultati messaggi di cronologia, guasti e informazioni. Per alcuni dei messaggi di guasto più comuni, sono forniti suggerimenti e consigli per aiutare a correggere il guasto.



Timer stagionale

Applicabile per Automower 315/315X/420/430X/440/450X

Questa funzione consente al robot rasaerba di regolare automaticamente i tempi di taglio in base alla velocità di crescita dell'erba. Quando il tempo è propizio per la crescita dell'erba, il robot rasaerba la falcia più spesso; quando la crescita dell'erba è più lenta, il robot rasaerba trascorrerà automaticamente meno tempo sul prato.



Installazione

Questa funzione del menu viene utilizzata per personalizzare l'installazione. Per molte aree di lavoro non c'è alcuna necessità di modificare le impostazioni di fabbrica, ma a seconda della complessità del prato, i risultati della falciatura possono essere migliorati effettuando le impostazioni manualmente.



Impostazioni

Questa selezione consente di modificare le impostazioni generali del robot rasaerba come la data e l'ora. È inoltre possibile attivare/disattivare *Modalità ECO e taglio a spirale*, o salvare le impostazioni nei diversi *profili* (solo). Automower 315/315X/420/430X/440/450X



Accessori

Applicabile per Automower 310/315/315X/
420/430X/440/450X

Questo menu gestisce le impostazioni per gli accessori del robot rasaerba, ad es. Automower Connect o Automower Connect@Home. Contattare il Husqvarnarivenditore locale per informazioni sugli accessori adatti per il proprio robot rasaerba.

37 Funzionamento

37.1 Selezione della modalità operativa Automower 105

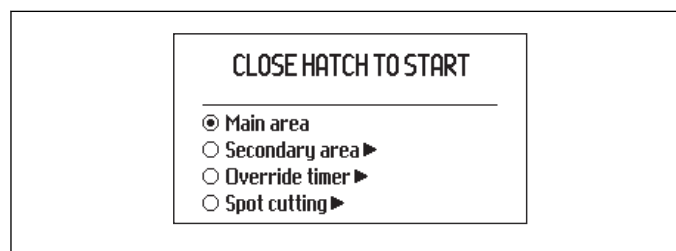
Premendo più volte consecutivamente il pulsante di selezione della **modalità operativa** è possibile scegliere tra tre diverse modalità..

- **HOME.** consente di inviare il robot rasaerba alla stazione di ricarica. L'unità resta in tale modalità finché non viene selezionata un'altra modalità operativa. Viene visualizzato il testo Casa nella finestra operativa. Quando la batteria è completamente carica, il robot rasaerba non lascia la stazione di ricarica e ricomincia a falciare fin quando la modalità operativa non viene modificata in **AUTO**.
- **AUTO.** la modalità operativa automatica normale in cui il robot rasaerba falcia e si ricarica automaticamente.
- **MAN.** L'impostazione **MAN** è necessaria per le operazioni di taglio in zone secondarie. Se viene selezionato **MAN** e il robot rasaerba viene avviato quando si trova sul prato, questo continuerà a tagliare finché non si esaurisce la batteria. Quindi si arresta e viene visualizzato il messaggio "Necessita carica manuale". Il robot rasaerba deve essere quindi trasportato manualmente alla stazione di ricarica e avviato manualmente dopo la ricarica. Se il robot rasaerba viene ricaricato in modalità **MAN**, si ricaricherà completamente e si allontanerà di circa 20 cm dalla stazione di ricarica per poi arrestarsi. Ciò indica che è carico e pronto per iniziare a tagliare.

37.2 Selezione operativa START Automower 310/315/315X/420/430X/440/450X

Quando viene premuto il pulsante **START**, è possibile scegliere le seguenti modalità operative:

- **AREA PRINCIPALE.** Si tratta della modalità operativa normale in cui il robot rasaerba falcia e si ricarica automaticamente.



- **AREA SECONDARIA.** Questa impostazione è necessaria per le operazioni di taglio in zone secondarie.

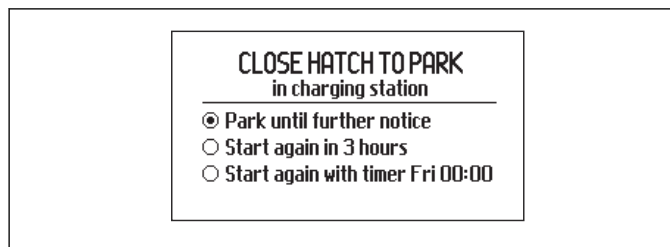
Se il robot rasaerba si ricarica in modalità Area secondaria, raggiungerà la carica completa, si muoverà di circa 50 cm e poi si fermerà. Ciò indica che è carico e pronto per iniziare a tagliare. Se dopo la ricarica si deve tagliare il prato dell'area di lavoro principale, è consigliabile passare alla modalità operativa **Area principale** prima di collocare il robot rasaerba nella stazione di ricarica.

- **NON CONSIDERARE IL TIMER.** Tutte le impostazioni effettuate del timer possono essere temporaneamente ignorate selezionando Non considerare il timer. È possibile *escludere il timer* per 24 ore o 3 giorni.
- **TAGLIO A SPIRALE** (non disponibile per Automower 310). Il robot rasaerba seguirà un percorso a spirale per tagliare l'erba nella zona dove questa è stata falciata meno rispetto ad altre parti del giardino.

La funzione di *Taglio a spirale* viene attivato con il pulsante **START**. È possibile selezionare la modalità in cui il robot rasaerba deve continuare a lavorare dopo che la falciatura è terminata premendo **freccia destra** e specificando quindi *Area principale* o *Area secondaria*.

37.3 Selezione della modalità operativa Park Automower 310/315/315X/420/430X/440/450X

Quando si preme il pulsante **PARK** è possibile scegliere le seguenti modalità operative.



- **PARCHEGGIO FINO AD ULTERIORE AVVISO.** Il robot rasaerba rimane nella stazione di ricarica fino alla selezione di un'altra modalità operativa tramite il pulsante **START**.
- **RICOMINCIARE TRA 3 ORE.** Il robot rasaerba rimane nella stazione di ricarica per tre ore e poi torna automaticamente in modalità operativa normale. Questa selezione è ideale quando è necessaria un'interruzione temporanea dell'attività, ad esempio per scopi di irrigazione o per giocare sul prato.
- **INIZIARE CON TIMER SUCCESSIVO.** Il robot rasaerba rimane nella stazione di ricarica fino alla successiva attivazione consentita dall'impostazione del timer. Questa modalità operativa è adatta se si vuole annullare un ciclo di taglio in corso e lasciare che il robot rasaerba resti nella stazione di ricarica fino al giorno successivo. Questa opzione non viene visualizzata se non ci sono impostazioni del timer.

37.4 Connettività

È possibile comunicare con il robot rasaerba con l'applicazione mobile Automower Connect. Automower Connect è disponibile per lo smartphone e tablet Apple (o Android). Quando l'app Automower Connect viene attivata, sulla schermata iniziale del robot rasaerba verranno visualizzate nuove icone. Per ulteriori informazioni, vedere *Manuale operatore completo alla pagina 77*.

37.4.1 Automower Connect

Automower Connect è inclusa in Automower 315X/430X/450X ed è disponibile come accessorio per Automower 310/315/420/440.

Automower Connect riproduce il menu del rasaerba nello smartphone, facilitando la lettura e la modifica delle impostazioni del rasaerba in remoto. Grazie a questa applicazione, è possibile ricevere lo stato attuale di Automower e inviare i comandi al robot rasaerba da qualsiasi posto nel mondo. In caso di furto, riceverete un messaggio di allarme e potrete localizzare la posizione del rasaerba. Alcuni paesi non supportano Automower Connect a causa di sistemi cellulari specifici per la regione. Contattare il rappresentante locale Husqvarna per ulteriori informazioni.

37.4.2 Automower Connect@Home

Incluso in Automower 310/315/420/440.

Automower Connect@Home utilizza un collegamento Bluetooth a corto raggio® wireless per il robot rasaerba. Ciò significa che è possibile comunicare con il robot rasaerba purché ci si trovi entro il raggio di comunicazione. Un'icona per la comunicazione Bluetooth viene visualizzata sul display del robot rasaerba quando viene realizzata la connessione con lo smartphone. Automower Connect@Home ha funzioni simili ma non così avanzate come Automower Connect e utilizza la stessa app.

37.4.3 Come iniziare

Scaricare l'app Automower Connect (si applica anche a Automower Connect@Home) da AppStore o GooglePlay. Dopo aver scaricato la app, indicare un indirizzo e-mail e una password per creare un account. Un'e-mail di convalida verrà inviata all'indirizzo e-mail fornito. Accertarsi di seguire le istruzioni riportate nell'e-mail per convalidare l'account entro 24 ore. Se non viene convalidato entro 24 ore, si dovrà creare nuovamente l'account. Una volta creato l'account nell'app, è possibile abbinare il robot rasaerba e lo smartphone.

37.4.4 Abbinamento con Automower Connect

Selezionare la funzione *Accessori > Automower Connect > Abbinamento > Nuovo abbinamento*. Quando l'applicazione lo richiede, inserire il codice a 6 caratteri visualizzato sul display del robot rasaerba. Immettere inoltre il nome del rasaerba nell'app. Automower Connect è sempre collegato al robot rasaerba fin quando lo smartphone rimane in contatto con la rete mobile e il robot rasaerba viene caricato e l'interruttore principale 1.

37.4.5 Abbinare a Automower Connect@Home

Attivare la comunicazione Bluetooth® wireless sullo smartphone. Selezionare la funzione *Accessori > Connect@Home > Nuovo abbinamento* e seguire le istruzioni visualizzate nell'app. Dopo aver effettuato l'abbinamento del robot rasaerba e dello smartphone, questi si conatteranno automaticamente ogni volta che si entra nel raggio d'azione (Automower Connect@Home). Se si desidera collegare il robot rasaerba senza avere un account è ancora possibile

utilizzare Automower Connect@Home selezionando Remote HMI nella schermata di avvio dell'app.

37.5 Regolazione dell'altezza di taglio

Se l'erba è molto alta, avviare il robot rasaerba con regolazione di taglio ad altezza MASSIMA. Una volta accorciata, è possibile impostare un'altezza di taglio progressivamente inferiore.

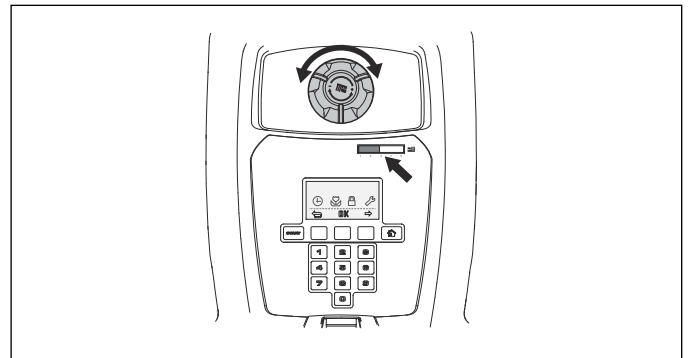


ATTENZIONE: Nella prima settimana dopo una nuova installazione, l'altezza di taglio deve essere impostata su MAX per evitare di danneggiare il cavo. Dopo questo periodo, l'altezza di taglio può essere ridotta gradualmente ogni settimana fino a raggiungere l'altezza di taglio desiderata.

37.5.1 Automower 105

È possibile regolare l'altezza di taglio da MIN (2) a MAX (5). Per regolare l'altezza di taglio procedere come segue:

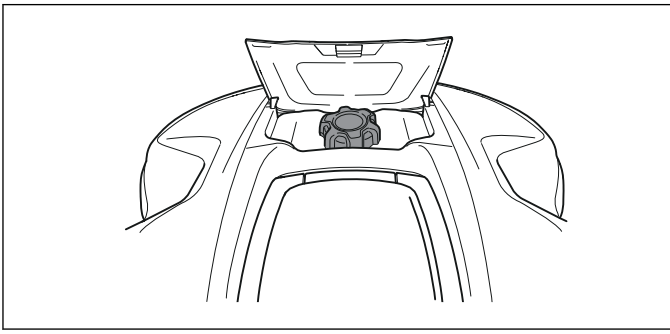
1. Premere il pulsante **STOP** per arrestare il robot rasaerba e aprire il portello.
2. Ruotare la manopola di regolazione dell'altezza nella posizione desiderata. La posizione selezionata è indicata dalla colonna arancione sull'indicatore di regolazione dell'altezza.



37.5.2 Automower 310/315/315X

È possibile regolare l'altezza di taglio da MIN (2) a MAX (6) in 9 fasi.

1. Premere il pulsante **STOP** per arrestare il robot rasaerba e aprire il portello di regolazione dell'altezza di taglio.
2. Ruotare la manopola nella posizione desiderata, Ruotare in senso orario per aumentare e in senso antiorario per diminuire l'altezza di taglio. La freccia si allinea con la posizione selezionata contrassegnata sulla scocca.
3. Chiudere il portello.



37.5.3 Automower 420/430X/440/450X

È possibile regolare l'altezza di taglio da MIN a MAX in 9 fasi.

1. Premere il pulsante **STOP** per arrestare il robot rasaerba e aprire il portello.
2. Premere il pulsante **MENU** per accedere al menu principale.
3. Spostare il cursore usando i tasti freccia su/giù per selezionare *l'altezza di taglio*.
4. Premere **OK**.

38 Manutenzione

38.1 Pulizia

È importante mantenere pulito il robot rasaerba. Un robot rasaerba con molta erba attaccata ha difficoltà a risalire le pendenze, ha prestazioni peggiori ed è esposto a una maggiore usura. Per una migliore affidabilità di funzionamento e una maggiore durata di esercizio, controllare e pulire il robot rasaerba regolarmente e sostituire le parti usurate, se necessario. Si consiglia di pulire con una spazzola morbida.

Per ridurre il rischio di danni a componenti elettrici del robot rasaerba e della stazione di ricarica, si consiglia di scollegare tutte le connessioni alla stazione di ricarica (alimentazione, cavo perimetrale e cavi guida) in caso di rischio di temporali.



AVVERTENZA: Quando il robot rasaerba è capovolto, l'interruttore principale deve essere sempre in posizione 0.

L'interruttore principale deve essere impostato in posizione 0 durante tutti i lavori sul telaio del rasaerba, come la pulizia o la sostituzione delle lame.



ATTENZIONE: Per la pulizia del robot rasaerba, non utilizzare mai dispositivi di lavaggio ad alta pressione, né acqua corrente. Non utilizzare mai solventi per la pulizia.

38.2 Batteria

La batteria non necessita di manutenzione, ma ha una durata limitata che varia da 2 a 4 anni.

La durata della batteria dipende dalla stagione di attività e dal numero di ore di utilizzo al giorno del robot rasaerba. Una stagione lunga e un utilizzo di molte ore al giorno riducono gli intervalli di sostituzione della batteria.



AVVERTENZA: Caricare solo il robot rasaerba utilizzando una stazione di ricarica apposita. L'utilizzo errato può causare scosse elettriche, il surriscaldamento o la fuoriuscita di liquido corrosivo dalla batteria. In caso di fuoriuscita dell'elettrolita, sciacquare con acqua e contattare un medico in caso di contatto con occhi ecc.



AVVERTENZA: Utilizzare solo le batterie originali consigliate dal produttore. La sicurezza del prodotto non può essere garantita con altre batterie. Non utilizzare batterie non ricaricabili.



ATTENZIONE: La batteria deve essere caricata completamente prima di riporla per l'inverno. Se la batteria non viene caricata completamente,

può danneggiarsi e in alcuni casi divenire inutilizzabile.

Se i tempi di esercizio del robot rasaerba sono più brevi del solito tra ogni intervallo di ricarica, ciò significa che la batteria sta invecchiando e che presto sarà necessario sostituirla. La batteria funziona correttamente se il robot rasaerba mantiene il prato ben tagliato.

Contattare il rappresentante locale Husqvarna per sostituire la batteria.

38.3 Sostituzione delle lame



AVVERTENZA: Utilizzare sempre le lame e le viti del tipo giusto. Husqvarna può solo garantire sicurezza quando si utilizzano lame originali. Se si sostituiscono solo le lame e si riutilizza la vite, quest'ultima può usurarsi durante la falciatura e il taglio. Le lame possono quindi essere scagliate fuori da sotto la scocca e causare lesioni gravi.

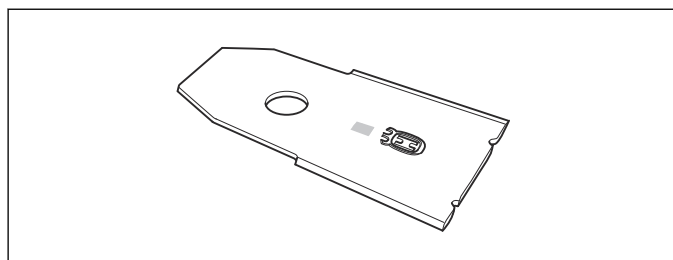


AVVERTENZA: Usare i guanti di protezione.

Per maggiore sicurezza sostituire eventuali parti usurate o danneggiate. Anche se le lame di taglio sono intatte, devono essere sostituite regolarmente per ottenere risultati ottimali e un basso consumo energetico.

Il robot rasaerba è dotato di 3 lame avvitate al disco. Tutte e 3 le lame e le viti devono essere sostituite contemporaneamente per ottenere un sistema di taglio equilibrato.

Utilizzare Husqvarna le lame originali con Husqvarna logo impresso, vedere *Termini di garanzia alla pagina 100*.



38.3.1 Per sostituire le lame

1. Posizionare l'interruttore principale su 0.
2. Capovolgere il robot rasaerba. Posizionare il robot rasaerba su una superficie morbida e pulita per evitare di graffiare la scocca o il portello.
3. Girare la piastra di scorrimento in modo tale che i relativi fori siano allineati con la vite della lama.
4. Rimuovere le 3 viti. Usare un cacciavite a taglio o a croce.
5. Rimuovere ciascuna lama e vite.
6. Fissare le nuove lame e le viti.

7. Controllare che le lame possano muoversi liberamente.

39 Anomalie di funzionamento

39.1 Anomalie di funzionamento

In caso di malfunzionamento, il display visualizzerà un messaggio d'errore. Per ulteriori informazioni sui messaggi, consultate il Manuale operatore completo sul sito web delHusqvarna(www.husqvarna.com). Se non è possibile trovare il motivo del guasto o se lo stesso messaggio viene visualizzato più volte, contattare il rivenditore.

Le interruzioni nel cavo sono solitamente provocate da danni materiali involontari, come ad esempio, lavorando con la vanga. Le interruzioni possono inoltre essere provocate da un'eccessiva tensione applicata al cavo durante l'installazione. È possibile individuare l'interruzione in un cavo dimezzando gradualmente la lunghezza del perimetro rispetto al punto sul quale potrebbe essersi verificata l'interruzione, finché non sarà rimasta solo una sezione molto corta di cavo. Vedere il Manuale operatore completo sul Husqvarnasito web (www.husqvarna.com).

39.1.1 Spia della stazione di ricarica

Per indicare che l'impianto funziona correttamente, la spia della stazione di ricarica deve emettere una luce verde fissa o lampeggiante. Se la luce della spia è diversa, attenersi alla seguente guida di ricerca dei guasti.

Ulteriore assistenza è disponibile sul sito www.husqvarna.com. Per ulteriore assistenza, contattare il rappresentante locale Husqvarna.

Luce	Causa	Azione
<i>Luce verde fissa</i>	Segnale buono	Non è richiesto alcun intervento.
<i>Luce verde lampeggiante</i>	Segnale buono, <i>modalità ECO</i> attivata.	Non è richiesto alcun intervento. Per ulteriori informazioni sulla <i>modalità ECO</i> , vedere <i>Manuale operatore completo alla pagina 77</i> .
<i>Luce blu lampeggiante</i>	Il cavo perimetrale non è collegato alla stazione di ricarica.	Verificare che i connettori del cavo perimetrale siano collegati correttamente alla stazione di ricarica. Vedere <i>Manuale operatore completo alla pagina 77</i> .
	Interruzione nel cavo perimetrale.	Individuare l'interruzione. Sostituire la sezione danneggiata del cavo con un nuovo cavo e collegare i cavi con un giunto originale.
<i>Luce rossa lampeggiante</i>	Interruzione nell'antenna della stazione di ricarica.	Contattare il rappresentante locale Husqvarna.
<i>Luce rossa fissa</i>	Guasto nella scheda elettronica o alimentazione di corrente errata nella stazione di ricarica. Il guasto deve essere corretto da un tecnico di un centro assistenza autorizzato.	Contattare il rappresentante locale Husqvarna.

40 Trasporto, stoccaggio e smaltimento

40.1 Trasporto

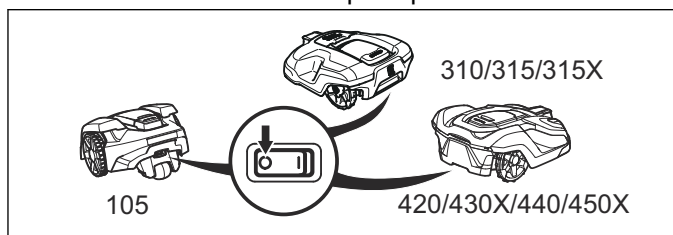
Le batterie agli ioni di litio sono soggette alle norme di legge sulle merci pericolose. Per il trasporto commerciale, ad esempio ad opera di terzi, spedizionieri, occorre soddisfare speciali requisiti di imballaggio e di etichettatura. Rivolgersi a un esperto di materiali pericolosi per la preparazione del materiale da spedire. Si prega di attenersi anche alle normative nazionali più dettagliate.

Avvolgere con nastro o bloccare i contatti aperti e imballare la batteria in modo che non possa spostarsi all'interno della confezione. Fissare sempre il prodotto durante il trasporto.

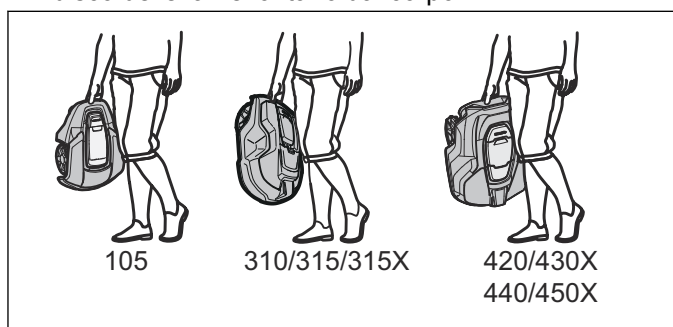
40.1.1 Come Sollevare e spostare il robot rasaerba

Per spostarlo in modo sicuro fuori o all'interno dell'area di lavoro, procedere come segue:

1. Premere il pulsante **STOP** per arrestare il robot rasaerba. Se la sicurezza è impostata sul livello medio o alto, (vedere *Manuale operatore completo alla pagina 77*) è necessario immettere il codice PIN. Il codice PIN è composto da quattro cifre e viene selezionato al primo avviamento del robot rasaerba. Vedere *Manuale operatore completo alla pagina 77*.
2. Posizionare l'interruttore principale su 0.



3. Trasportare il robot rasaerba per il manubrio con il disco delle lame lontano dal corpo.



ATTENZIONE: Non sollevare il robot rasaerba quando è parcheggiato nella stazione di ricarica. Ciò potrebbe provocare danni alla stazione di ricarica e/o al robot rasaerba. Premere **STOP** ed estrarre il robot rasaerba dalla stazione di ricarica prima di sollevarlo.

40.2 Rimessaggio invernale

40.2.1 Il robot rasaerba

Il robot rasaerba deve essere pulito accuratamente prima del rimessaggio invernale. Vedere *Pulizia alla pagina 92*.

Per garantire la funzionalità e la durata utile della batteria, è importante caricare il robot rasaerba prima di riporlo per l'inverno. Collocare il robot rasaerba nella stazione di ricarica con il portello aperto finché l'icona della batteria sul display non indica che la batteria è completamente carica. Portare quindi l'interruttore principale su 0.

Controllare le condizioni di usura di componenti quali lame e cuscinetti della ruota posteriore. Riparare o sostituire, se necessario, per accertarsi che il robot rasaerba sia in buone condizioni prima della stagione successiva.

Conservare il supporto del robot rasaerba sulle quattro ruote in un ambiente asciutto e non soggetto a gelate, preferibilmente nell'imballaggio originale. È inoltre possibile appendere il robot rasaerba ad un Husqvarna supporto a muro originale. Contattare il rappresentante locale per Husqvarna ulteriori informazioni sulla disponibilità dei supporti a muro.



ATTENZIONE: La batteria deve essere caricata completamente prima di riporla per l'inverno. Se la batteria non viene caricata completamente, può danneggiarsi e in alcuni casi divenire inutilizzabile.

40.2.2 La stazione di ricarica

Riporre la stazione di ricarica e l'alimentatore al chiuso. Il cavo perimetrale e il cavo guida possono essere lasciati interrati.

1. Scollegare la stazione di ricarica all'alimentazione.
2. Rilasciare il blocco del connettore ed estrarre il connettore.
3. Scollegare i contatti del cavo perimetrale e del cavo guida dalla stazione di ricarica.

Le estremità dei cavi devono essere protette dall'umidità, per esempio immergendole in un contenitore pieno di grasso.

Se non è possibile conservare la stazione di ricarica al chiuso, dovrà essere collegata alla rete elettrica, al cavo perimetrale e ai cavi guida per tutto l'inverno.

40.3 Informazioni di carattere ambientale



Il simbolo sul robot rasaerba Husqvarna o sul relativo imballaggio indica che il presente prodotto non può essere trattato come rifiuto domestico. Deve invece essere consegnato a un apposito centro per il riciclaggio di componenti elettrici e batterie. Rimuovere la batteria dal prodotto prima di eliminarlo.

Per lo smontaggio della batteria vedere il Manuale operatore completo sul sito webHusqvarna.

Trattando questo prodotto correttamente, si contribuisce a contrastare il potenziale impatto negativo

sull'ambiente e sulle persone che può altrimenti sortire da una gestione impropria del prodotto come rifiuto.

Per informazioni più dettagliate sul riciclaggio di questo prodotto, contattare l'autorità municipale, il servizio rifiuti domestici o il punto vendita in cui è stato acquistato.

41 Dati tecnici

41.1 Automower 105/310/315/315X

Dimensioni	Automower 105	Automower 310	Automower 315	Automower 315X
Lunghezza, cm	55	63	63	63
Larghezza, cm	39	51	51	51
Altezza, cm	25	25	25	25
Peso, kg	6,9	9,2	9,2	10,1

Impianto elettrico	Automower 105	Automower 310	Automower 315	Automower 315X
Batteria agli ioni di litio, 18 V/2,1 Ah n. art.	586 57 62-01, 586 57 62-02	584 85 28-01, 584 85 28-02	584 85 28-01, 584 85 28-02	584 85 28-01, 584 85 28-02
Alimentazione, V/28 V CC	100-240	100-240	100-240	100-240
Lunghezza del cavo a bassa tensione, m	10	10	10	10
Consumo energetico medio al massimo utilizzo	5 kWh/mese per un'area di lavoro di 600 m ²	8 kWh/mese per un'area di lavoro di 1000 m ²	10 kWh/mese per un'area di lavoro di 1500 m ²	10 kWh/mese per un'area di lavoro di 1600 m ²
Corrente di carica, A CC	1.3	1.3	1.3	1.3
Tempo di falciatura medio, min	65	70	70	70
Tempo di carica medio, min	50	60	60	60

Antenna cavo perimetrale	Automower 105	Automower 310	Automower 315	Automower 315X
Banda di frequenza operativa, Hz	300-80000	300-80000	300-80000	300-80000
Massima potenza a radiofrequenza, mW a 60m ⁵¹	<25	<25	<25	<25

Emissioni di rumore misurate nell'ambiente come potenza sonora ⁵²	Automower 105	Automower 310	Automower 315	Automower 315X
Livello potenza acustica rilevato dB (A)	58	58	58	58
Incertezza delle emissioni di rumore K _{WA} , dB (A)	3	2	2	2
Livello acustico garantito	61	60	60	60
Livello di pressione acustica all'orecchio dell'operatore, dB (A) ⁵³	47	47	47	47

⁵¹ Massima potenza attiva per le antenne nella banda di frequenza in cui funziona l'apparecchiatura radio.

⁵² La dichiarazione sulle emissioni di rumore è conforme alla norma EN 50636-2-107:2015. Emissioni di rumore nell'ambiente misurate come potenza sonora (L_{WA}) in base alla direttiva CE 2000/14/CE. Il livello acustico garantito comprende le variazioni nella produzione e le variazioni rispetto al codice di test con 1-3 dB(A).

⁵³ Incertezze livello di pressione acustica K_{pA}, 2-4 dB(A)

Taglio	Automower 105	Automower 310	Automower 315	Automower 315X
Apparato di taglio	Tre lamette di taglio pivottanti			
Velocità motore della lama, giri/min	2900	2300	2300	2300
Consumo di potenza durante il taglio, W + /- 20%	20	25	25	25
Altezza di taglio, cm	2-5	2-6	2-6	2-6
Larghezza di taglio, cm	17	22	22	22
Passaggio più stretto possibile, cm	60	60	60	60
Massimo angolo per area di taglio, %	25	40	40	40
Massimo angolo per cavo perimetrale, %	15	15	15	15
Massima lunghezza per cavo perimetrale, m	400	800	800	800
Massima lunghezza per il cavo di guida, m	200	400	400	400
Capacità di lavoro, m ² +/- 20%	600	1000	1500	1600

Classificazione IP	Automower 105	Automower 310	Automower 315	Automower 315X
Robot rasaerba	IPX4	IPX4	IPX4	IPX4
Stazione di ricarica	IPX1	IPX1	IPX1	IPX1
Alimentatore	IPX4	IPX4	IPX4	IPX4

Husqvarna AB non garantisce la completa compatibilità fra il robot rasaerba e altri tipi di sistemi wireless, quali telecomandi, trasmettitori radio, apparecchi acustici, recinti elettrici interrati per animali o simili.

41.2 Automower 420/430X/440/450X

Dimensioni	Automower 420	Automower 430X	Automower 440	Automower 450X
Lunghezza, cm	72	72	72	72
Larghezza, cm	56	56	56	56
Altezza, cm	31	31	31	31
Peso, kg	11,5	13,2	12,0	13,9

Impianto elettrico	Automower 420	Automower 430X	Automower 440	Automower 450X
Batteria agli ioni di litio, 18 V/2,1 Ah n. art.	580 68 33-01, 580 68 33-02	588 14 64-01	588 14 64-01 (2 pezzi)	588 14 64-01 (2 pezzi)
Alimentazione, V/28 V CC	100-240	100-240	100-240	100-240
Lunghezza del cavo a bassa tensione, m	10	10	10	10
Consumo energetico medio al massimo utilizzo	17 kWh/mese per un'area di lavoro di 2200 m ²	18 kWh/mese per un'area di lavoro di 3200 m ²	20 kWh/mese per un'area di lavoro di 4000 m ²	23 kWh/mese per un'area di lavoro di 5000 m ²
Corrente di carica, A CC	2,2	4,2	7	7
Tempo di falciatura medio, min	75	145	290	270
Tempo di carica medio, min	50	50	60	60

Antenna cavo perimetrale	Automower 420	Automower 430X	Automower 440	Automower 450X
Banda di frequenza operativa, Hz	300-80000	300-80000	300-80000	300-80000
Potenza a radiofrequenza massima, mW a 60m ⁵⁴	<25	<25	<25	<25

Emissioni di rumore misurate nell'ambiente come potenza sonora ⁵⁵	Automower 420	Automower 430X	Automower 440	Automower 450X
Livello potenza acustica rilevato dB (A)	57	57	56	58
Incertezza delle emissioni di rumore K_{WA} , dB (A)	1	1	1	1
Livello acustico garantito	58	58	56	59
Livello di pressione acustica all'orecchio dell'operatore, dB (A) ⁵⁶	46	46	45	47

Taglio	Automower 420	Automower 430X	Automower 440	Automower 450X
Apparato di taglio	Tre lamette di taglio pivottanti			
Velocità motore della lama, giri/min	2300	2300	2300	2300
Consumo di potenza durante il taglio, W + /- 20%	30	30	30	35
Altezza di taglio, cm	2-6	2-6	2-6	2-6
Larghezza di taglio, cm	24	24	24	24
Passaggio più stretto possibile, cm	60	60	60	60
Massimo angolo per area di taglio, %	45	45	45	45
Massimo angolo per cavo perimetrale, %	15	15	15	15
Massima lunghezza per cavo perimetrale, m	800	800	800	800
Massima lunghezza per il cavo di guida, m	400	400	400	400
Capacità di lavoro, m ² +/- 20%	2200	3200	4000	5000

Classificazione IP	Automower 420	Automower 430X	Automower 440	Automower 450X
Robot rasaerba	IPX4	IPX4	IPX4	IPX4
Stazione di ricarica	IPX1	IPX1	IPX1	IPX1
Alimentatore	IPX4	IPX4	IPX4	IPX4

Husqvarna AB non garantisce la completa compatibilità fra il robot rasaerba e altri tipi di sistemi wireless, quali telecomandi, trasmettitori radio, apparecchi acustici, recinti elettrici interrati per animali o simili.

⁵⁴ Massima potenza attiva per le antenne nella banda di frequenza in cui funziona l'apparecchiatura radio.

⁵⁵ La dichiarazione sulle emissioni di rumore è conforme alla norma EN 50636-2-107:2015. Emissioni di rumore nell'ambiente misurate come potenza sonora (L_{WA}) in base alla direttiva CE 2000/14/CE. Il livello acustico garantito comprende le variazioni nella produzione e le variazioni rispetto al codice di test con 1-3 dB(A).

⁵⁶ Incertezze livello di pressione acustica K_{pA} , 2-4 dB(A)

42.1 Termini di garanzia

Husqvarna garantisce il corretto funzionamento di questo prodotto per un periodo di due anni (dalla data di acquisto). La garanzia copre guasti gravi legati a materiali o difetti di fabbricazione. Per tutta la durata della garanzia, l'azienda sostituirà il prodotto o lo riparerà gratuitamente in caso di rispetto dei seguenti termini.

- Il robot rasaerba e la stazione di ricarica possono essere usati solo nel rispetto delle istruzioni contenute nel presente manuale. La garanzia del costruttore non preclude l'utilizzo delle garanzie riconosciute all'acquirente nei confronti del concessionario e/o rivenditore.
- Gli utenti o terzi non autorizzati non devono tentare di riparare il prodotto.

Esempi di guasti non coperti da garanzia.

- Danni causati da infiltrazioni di acqua da sotto il robot rasaerba. Questo tipo di danno è normalmente causato da sistemi di pulizia o irrigazione o dalla presenza nell'area di lavoro di fori e buche dovute alla formazione di pozzanghere quando piove.
- Danni causati da fulmini.
- Danni causati dall'errata conservazione o dall'uso improprio della batteria.
- Danni causati dall'utilizzo di batterie non originali Husqvarna.
- Danni causati dall'utilizzo di ricambi e accessori non originali Husqvarna quali lame e materiale di installazione.
- Danni al cavo.
- Danni causati da modifiche non autorizzate o manomissione del prodotto o dell'alimentazione.

Le lame sono da considerarsi materiale di consumo e non sono coperte da garanzia.

In caso di guasto al proprio robot rasaerba Husqvarna, contattare il rappresentante locale Husqvarna per ulteriori istruzioni. Accertarsi di avere a portata di mano lo scontrino e il numero di serie del robot rasaerba quando si contatta il rappresentante Husqvarna locale.

43 Dichiarazione di conformità CE

43.1 Dichiarazione CE di conformità

Husqvarna AB, SE-561 82 Huskvarna, Svezia, tel.: +46-36-146500, dichiara con la presente che i robot rasaerba Husqvarna Automower® 105, Husqvarna Automower® 310, Husqvarna Automower® 315, Husqvarna Automower® 315X, Husqvarna Automower® 420, Husqvarna Automower® 430X, Husqvarna Automower® 440 e Husqvarna Automower® 450X con numeri di serie della 2017 settimana 36 e successivi (l'anno e la settimana sono chiaramente indicati nella targhetta dati di funzionamento e seguiti dal numero di serie) sono conformi alle disposizioni della DIRETTIVA DEL CONSIGLIO:

- Direttiva macchine **2006/42/CE**.
 - Requisiti particolari per i robot rasaerba elettrici a batteria **EN 50636-2-107: 2015**.
 - Campi elettromagnetici **EN 62233: 2008**.
- Direttiva sulla "restrizione dell'uso di determinate sostanze pericolose" **2011/65/UE**.
- Direttiva "concernente l'emissione acustica ambientale delle macchine ed attrezzature destinate a funzionare all'aperto" **2000/14/CE**. Vedere anche *Dati tecnici alla pagina 97* per informazioni relative alle emissioni acustiche e alla larghezza di taglio.

Husqvarna Automower® 105 (certificato 01/901/176): L'ente notificato 0404, SMP Svensk Maskinprovning AB, Fyrisborgsgatan 3, SE-754 50 Uppsala, Sweden ha pubblicato un rapporto relativo all'attestazione della conformità in base all'allegato VI della Direttiva del Consiglio dell'8 maggio 2000 concernente "l'emissione acustica ambientale" 2000/14/CE.

Husqvarna Automower® 310/315 (certificato 01/901/225), **Husqvarna Automower® 315X** (certificato 01/901/286) e **Husqvarna Automower® 420/430X/440/450X** (certificato 01/901/201): L'ente notificato 0404, SMP Svensk Maskinprovning AB, Box 7035, SE-750 07 Uppsala, Sweden ha pubblicato un rapporto relativo all'attestazione della conformità in base all'allegato VI della Direttiva del Consiglio dell'8 maggio 2000 concernente "l'emissione acustica ambientale" 2000/14/CE.

- Direttiva "concernente le apparecchiature radio" **2014/53/UE**. Sono state applicate le seguenti norme:

- **Bozza finale 303 447 v1.1.1 (2017-06)**

Compatibilità elettromagnetica:

- **ETSI EN 301 489-1 v 2.2.0**

Per Husqvarna Automower® 310, Husqvarna Automower® 315, Husqvarna Automower® 315X, Husqvarna Automower® 420, Husqvarna Automower® 430X, Husqvarna Automower® 440 e Husqvarna Automower® 450X provvisto di modulo Automower® Connect anche:

- **EN 301 489-52 V1.1.1**

- **EN 301 511 V9.0.2** (efficienza dello spettro radio)

Per Husqvarna Automower® 310, Husqvarna Automower® 315, Husqvarna Automower® 420 e Husqvarna Automower® 440 inoltre:

- **EN 300 328 bozza V2.1.1**



Husqvarna 2017-09-01

Lars Roos

Global R&D Director, Electric category

(Rappresentante autorizzato per Husqvarna AB e responsabile della documentazione tecnica).



Husqvarna[®]

AUTOMOWER[®] is a trademark owned by Husqvarna AB.

Copyright[®] 2017 HUSQVARNA. All rights reserved.

AUTOMOWER[®] ist ein von Husqvarna eingetragenes Warenzeichen.

Copyright[®] 2017 HUSQVARNA. All rights reserved.

AUTOMOWER[®] est une marque déposée par Husqvarna AB.

Copyright[®] 2017 HUSQVARNA. All rights reserved.

AUTOMOWER[®] è un marchio registrato della Husqvarna AB.

Copyright[®] 2017 HUSQVARNA. All rights reserved.

www.husqvarna.com

Original instructions
Originalanweisungen
Instructions d'origine
Istruzioni originali

1159071-39



2017-09-07